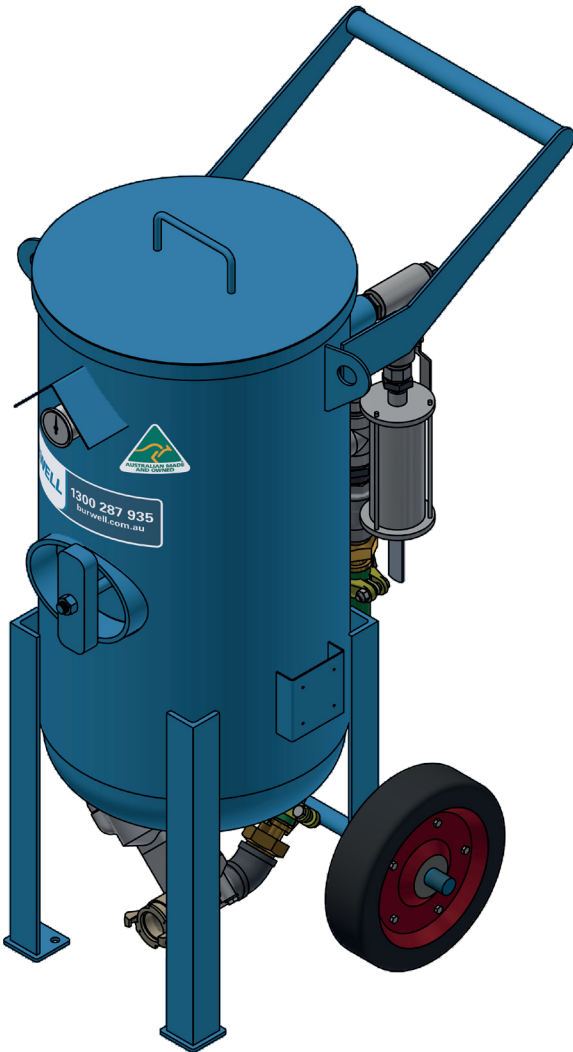


# 1642CP BLAST MACHINE

The "Trigger Happy  
Portable Workhorse."

Constant pressure allows for continuous blasting.  
Less stopping and starting on air compressor, reduced fuel or power consumption and less wear on blast pot components.



## AUSTRALIAN MADE

Designed and made in Australia to AS1210 using Australian Plate Steel.



## CONSTANT PRESSURE

Continuous blasting, less wear and tear and reduced energy consumption.



## BUILT TOUGH

Rated to 175 psi (1205 kPa) to meet all situations.



## STABLE

Four points of contact for maximum stability.



## SAFE

Rated lifting lugs to make handling and transport safer and easier.



## PERFORMANCE

Valving system designed to minimise pressure drop.



## EASY TO LOAD

Low height of 1180mm makes it easier to load and handle.

### Specifications

Useable Garnet Capacity: 175kg  
Vessel diameter: 405mm  
Weight: 145kg  
Length: 780mm  
Width: 580mm  
Height: 1180mm  
Volume: 90 litres (3.2 cu ft)

### Option

Pneumatic Deadman Trigger

### Inclusions

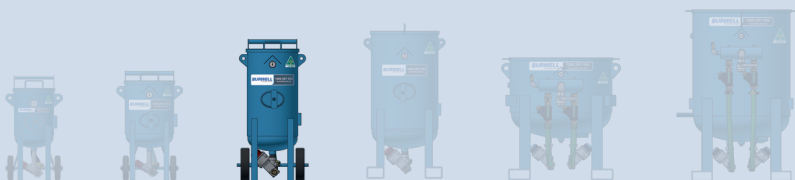
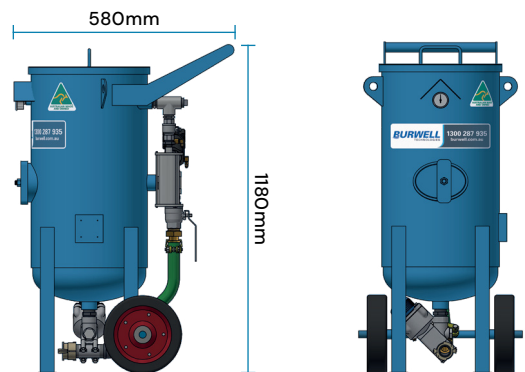
Screen & Lid  
Thompson II Valve  
1-1/4" Auto Air Valve  
20m Deadman Control Line  
ECK Electric Deadman Trigger  
Manual Dump with Silencer  
MDR & Australian Design  
Registration Certificate

### Part Number

0152-1642-30  
0151-1642-30

### Description

Constant Pressure 1642 Blast Machine - Electric  
Constant Pressure 1642 Blast Machine - Pneumatic



# BURWELL

1300 287 935 burwell.com.au

Version 240602