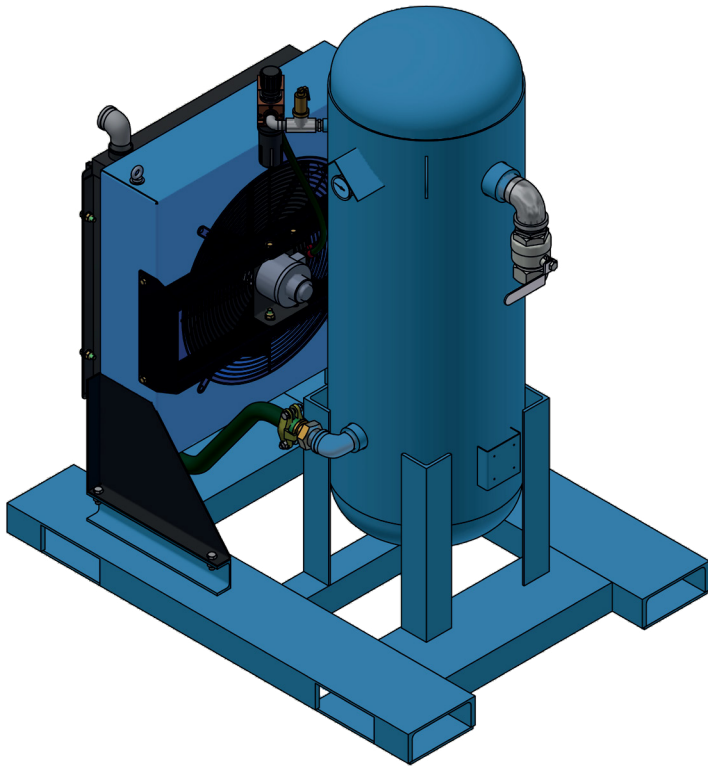


400

AIR DRYER

BREEZE PRO

Our smallest air dryer designed to be used with Single Outlet Blast Machines.



DESICCANT-FREE

Desiccant-free design using Australian Made Coalescing Stainless Steel Filter.



AUSTRALIAN MADE

Designed and made in Australia to AS1210 using Australian Plate Steel.



BUILT TOUGH

Rated to 175 psi to meet all situations.



QUIET

Designed to minimise operational sound levels.



VERSATILE

Designed to withstand the harshest Australian climates and rugged terrains.



PERFORMANCE

Removes up to 90% of moisture in blasting air.



SITE READY

Forklift slots and lifting lugs remove the risk of unsafe manual handling.

Specifications

Airflow: 400cfm @ 175psi
Filtration Type: 316ss Coalescing Filter
Weight: 540kg
Length: 1200mm
Width: 900mm
Height: 1500mm
Outlet Size: 1 x 2" Ball Valve

Inclusions

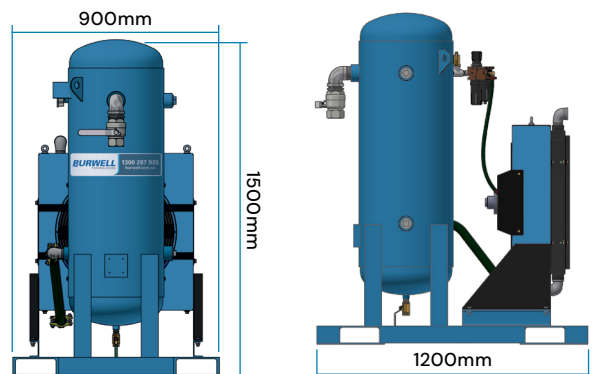
Pressure Relief Valve with Certificate
Air Regulator
Moisture Trap
Lubricator
1 x 2" Ball Valve

Part Number

Description

1404-0400	Burwell 400 Breeze-Pro Air Dryer
-----------	----------------------------------

*Best Suited to Burwell 1642 & 2449 Blast Machines



BURWELL

1300 287 935 burwell.com.au