

**CLEMCO**  
The Performance  
System**TECHNICAL DATA SHEET**

*Note: For safe, efficient blasting, read and follow the owner's manual and seek training for everyone who will use this equipment.*

**Purpose**

The Clemco Cool Air Tube (CAT) allows the blast operator to control the temperature and volume of air to a Clemco high-pressure Type CE continuous flow supplied-air respirator within a preset range and to cool the air by as much as 50° F.

**Requirements for Operation**

20 cfm at 90 to 100 psi of Grade D quality breathing air as defined by the Compressed Gas Association Commodity Specification: G-7.1 ([www.cganet.com](http://www.cganet.com))

Pressure requirements vary with hose length.

25 ft - 75 ft	90 psi
100 ft - 125 ft	95 psi
150 - 200 ft	100 psi

**NOTE:** Do not exceed 200 ft of respirator hose with this device.

**Description of Operation**

The Cool Air Tube is placed between the respirator air supply line and the helmet breathing tube. A knurled knob on the valve lets the operator adjust the cooling rate of the air entering the respirator.

The Cool Air Tube cannot be closed completely, so the operator always has at least the minimum required volume of air for breathing and to maintain positive pressure inside the helmet.

The CAT comes with a belt that adjusts to fit up to a 54-inch waist. The durable buckle can be fastened and unfastened with gloved hands.

A heat shield protects the operator from warm exhaust air (a byproduct of the production of cool air).

**Description**

Belt-mounted, adjustable valve — cools breathing air for use with Clemco respirator models Apollo 60 HP and Apollo 20 HP. Allows operator to adjust flow and temperature of incoming air.

**Cool Air Tube (CAT)****Stock No. 04410****Advantages**

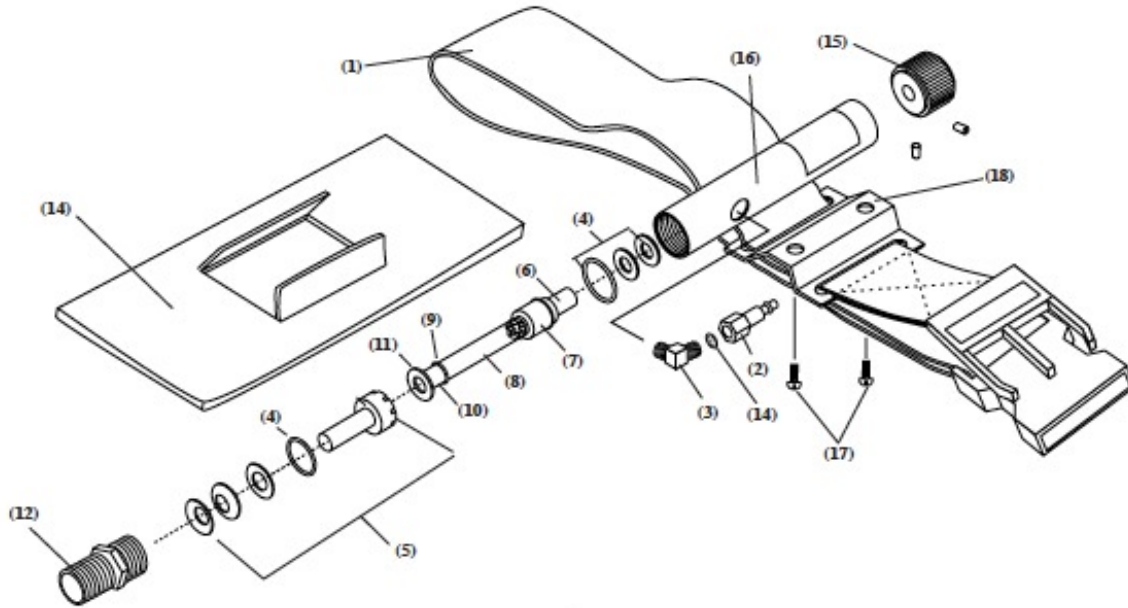
- Increases productivity by keeping blast operator cool and comfortable in hot weather
- Durable construction
- Lightweight comfort system maintains NIOSH approval

**Certifications and Approvals**

The Cool Air Tube is approved by NIOSH for use only with Clemco Apollo HP high-pressure Type CE supplied-air respirators (not for use with low-pressure respirators).

The Cool Air Tube is one component of a NIOSH-approved system; use of counterfeit parts voids the NIOSH approval.

To maintain NIOSH approval, use only genuine Clemco Apollo replacement parts.



**Related Clemco Literature**

Description	Stock No.
Contractor Series Catalog .....	21385
Abrasive Blasting Safety Practices .....	22090
Blast Off 2 .....	09294
Operator Safety Equipment Product Study .....	07764
Cool Air Tube Owner's Manual .....	08956

**Options and Accessories**

Description	Stock No.
Carbon monoxide alarm, CMS-2 .....	22894

**Packaging**

Ships in individual box

Dimensions	Shipping	Unit
Height:	10 1/4"	
Width (dia.):	4 3/4"	
Depth:	3"	
Weight:	1 1/2 lb	1.17 lb

**Color**

Blue body with black shield

**Replacement Parts**

Item	Description	Stock No.
(-)	Cool-Air Tube, complete .....	04410
1.	Belt .....	04430
2.	Quick disconnect .....	08449
3.	Elbow, 1/4" male .....	08869
4.	Seal kit (4 O-rings) .....	08870
5.	Cool-end venturi kit .....	08871
6.	Valve stem .....	08962
7.	Valve insert .....	08963
8.	Vortex tube assembly .....	23030
9.	Spacer, narrow .....	08966
10.	Tube, venturi .....	08967
11.	Spacer, wide .....	08968
12.	Helmet hose connection .....	08971
13.	Filter screen .....	08973
14.	Heat shield .....	08981
15.	Knob with set screws .....	08985
16.	Body .....	08961
17.	Machine screw, round head 10-24 x 1/4" .....	08980
18.	Belt Clip .....	08974

NOTE: If items 4 and 5 are ordered together you will receive an extra cool-end venturi O-ring.

Authorized Distributor:

*ISO 9001-2000 certified. Clemco is committed to continuous product improvement. Specifications are subject to change without notice.*

© 2004 Clemco Industries Corp. • One Cable Car Drive • Washington, MO 63090 • Phone (636) 239-4300 • Fax (636) 239-0788  
 Stock No. 21965      www.clemcoindustries.com      Job No. 1195-1295 • Date of Issue: 06/98, Rev. B; 08/04