

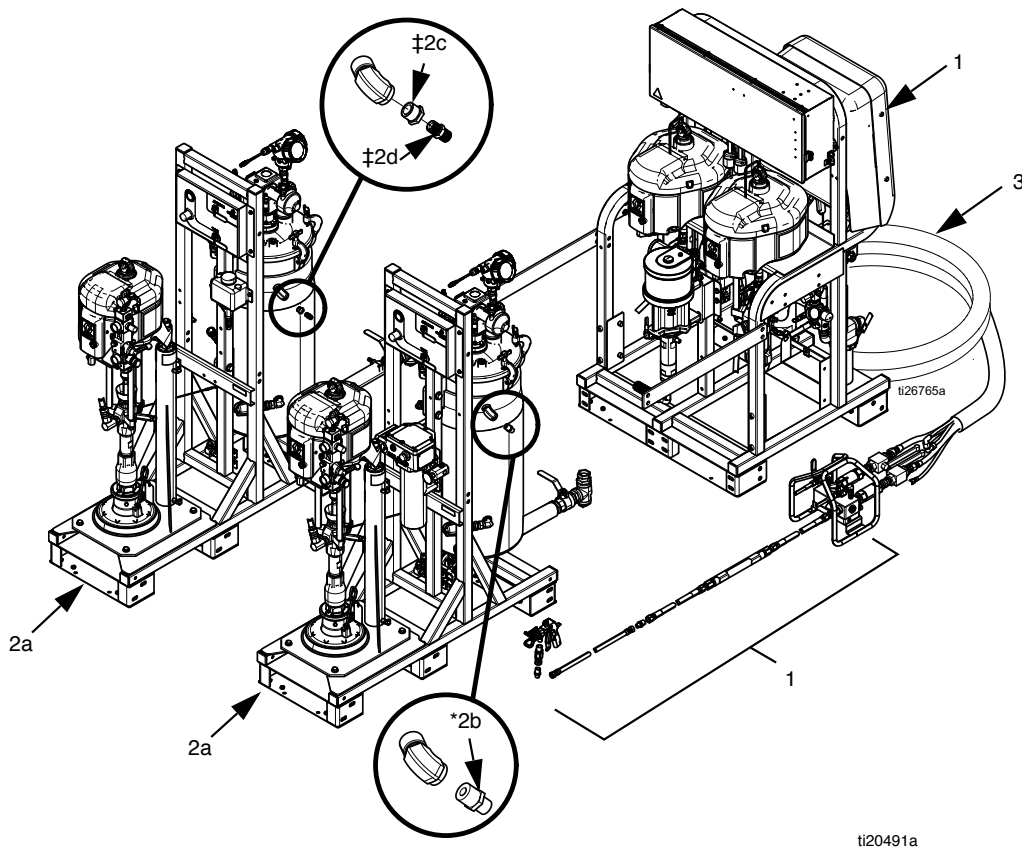
Graco XM PFP Plural Sprayers

Parts

Parts

System	Location	Ratio Range	Item and Quantity				
			(1) Base System	(2) Feed Skid	(2a) Feed Module	(3) Hose Bundle *	Accessories
262869	Non-Hazardous	1:1 to 1.5:1	262878	24P202	262947	16T121	24Y132 Ex Hot Water Flush
24W626		1.5:1 to 4:1			262947	16T122	
262943	Hazardous	1:1 to 1.5:1	262941	24W987	262938	16T121	24X113 Ex Hot Water Flush
262945		1.5:1 to 4:1			262938	16T122	

Ref.	Part	Description	Qty.	
2b*	C20461	NIPPLE, reducing	1	--- Not for sale.
2c†	100505	BUSHING	1	◆ Not shown.
2d‡	156849	NIPPLE	1	✱ Not included.
2f◆	15U654	LABEL, A/B Identification	1	
2g◆	061134	HOSE, nylon	2.5	
2h◆	---	CABLE TIE	8	



3A2989M

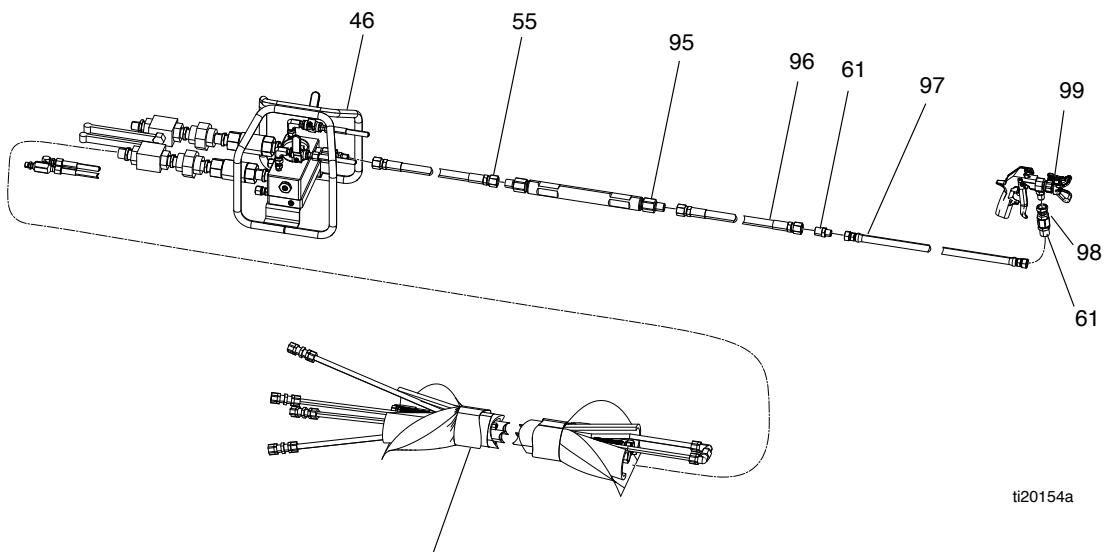
47

Parts

XM PFP System Subassemblies

Non-Hazardous Location Base System (262878)
Hazardous Location Base System (262941)

Page 1 of 5



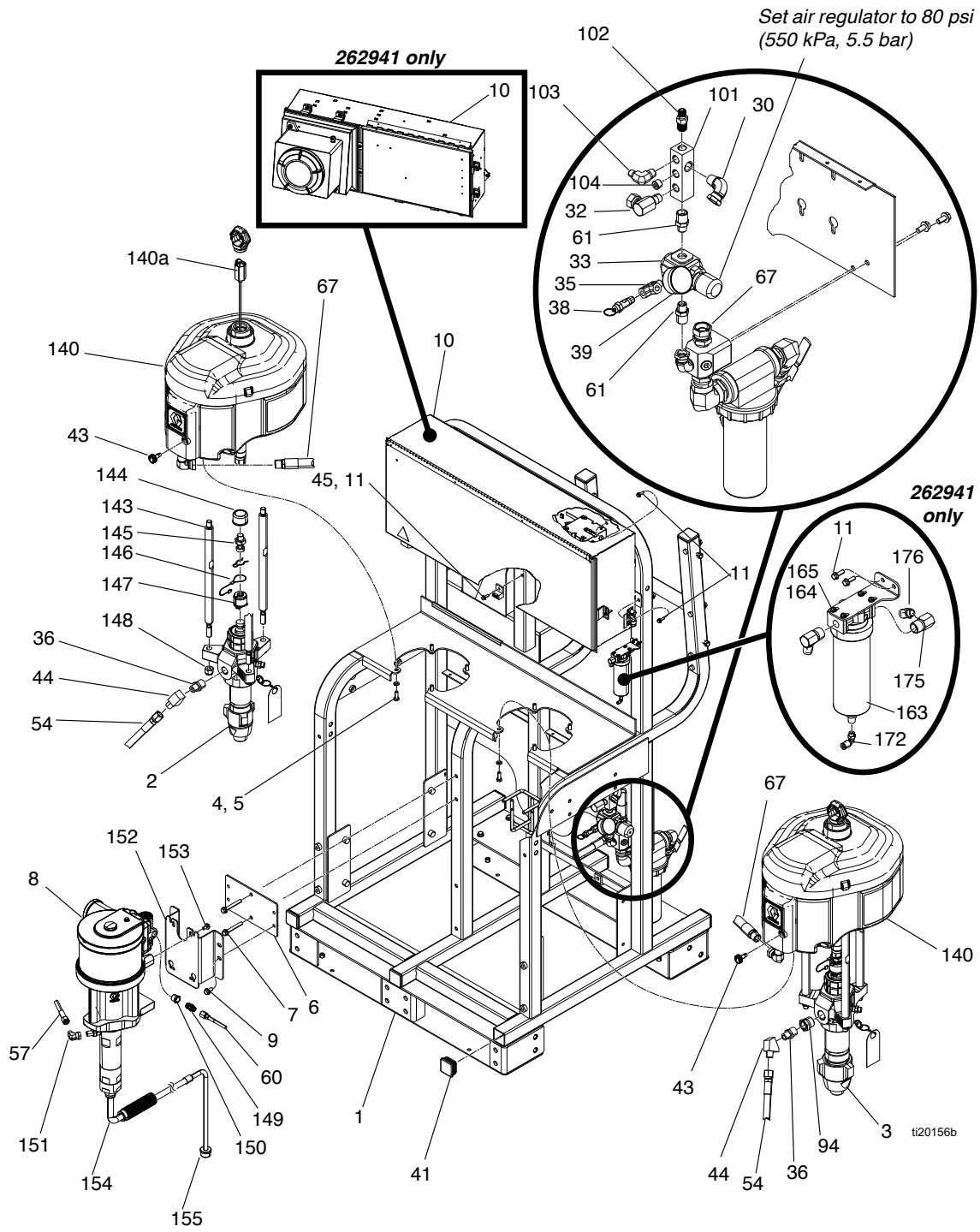
*Heated Hose Bundle 16T121. Not included with assemblies 262869 and 262943.
Shown for reference only.*

*Heated Hose Bundle 16T122 not included with assembly 262945 and 24W626.
Shown for reference only.*

NOTE: Apply pipe sealant to all non-swiveling pipe threads.

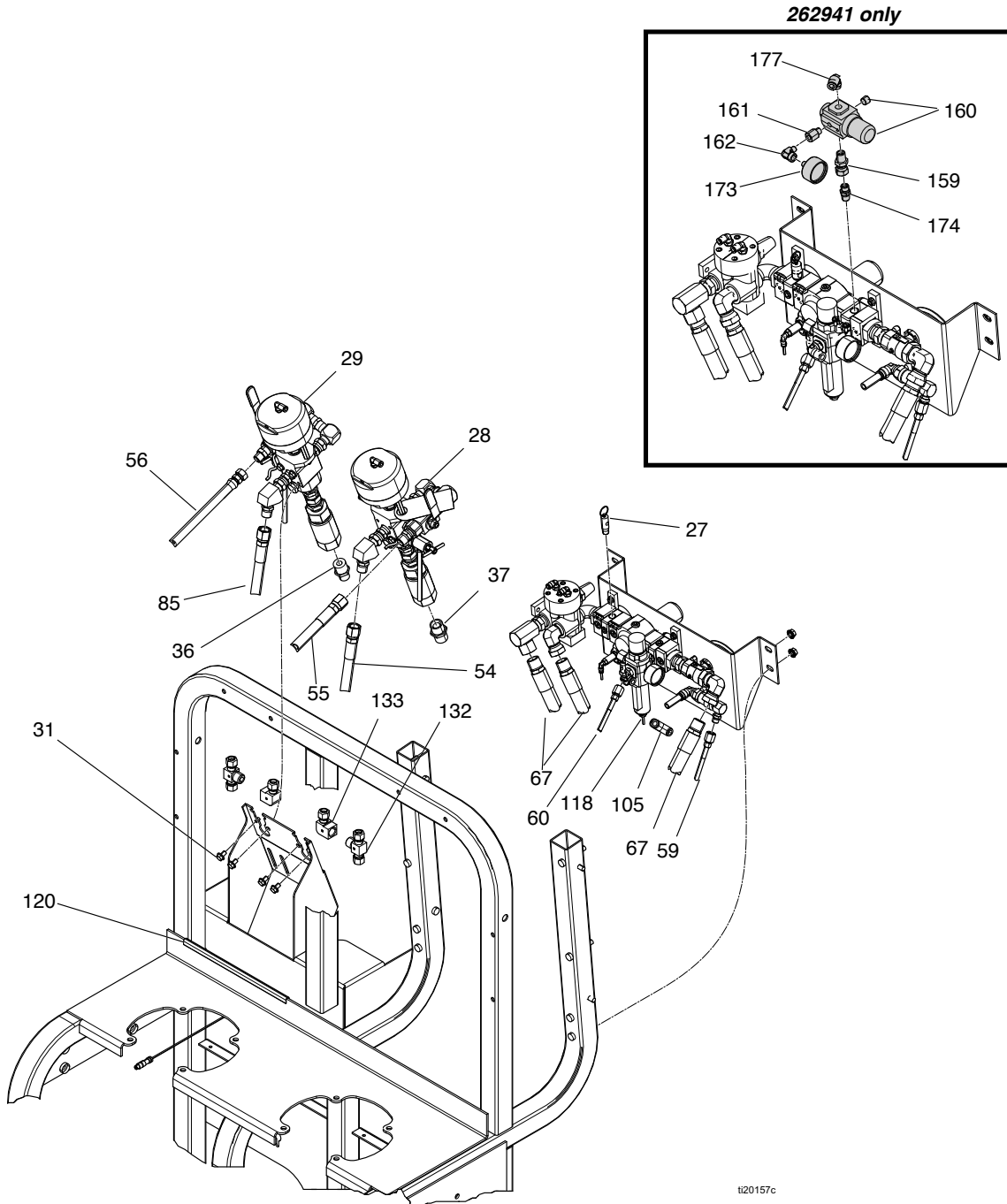
Parts

Base System (262878, 262941) page 2 of 5



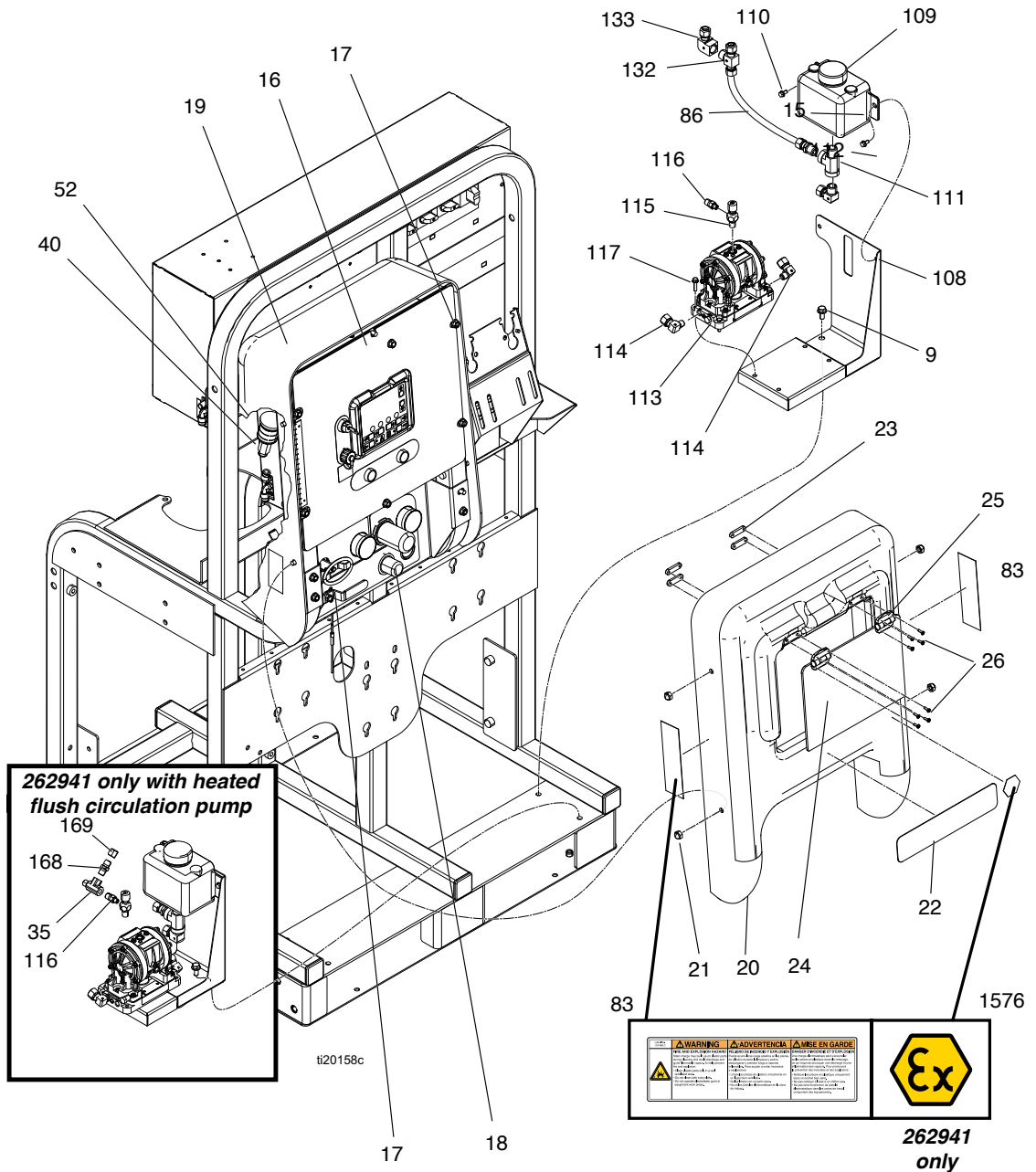
Parts

Base System (262878, 262941) page 3 of 5



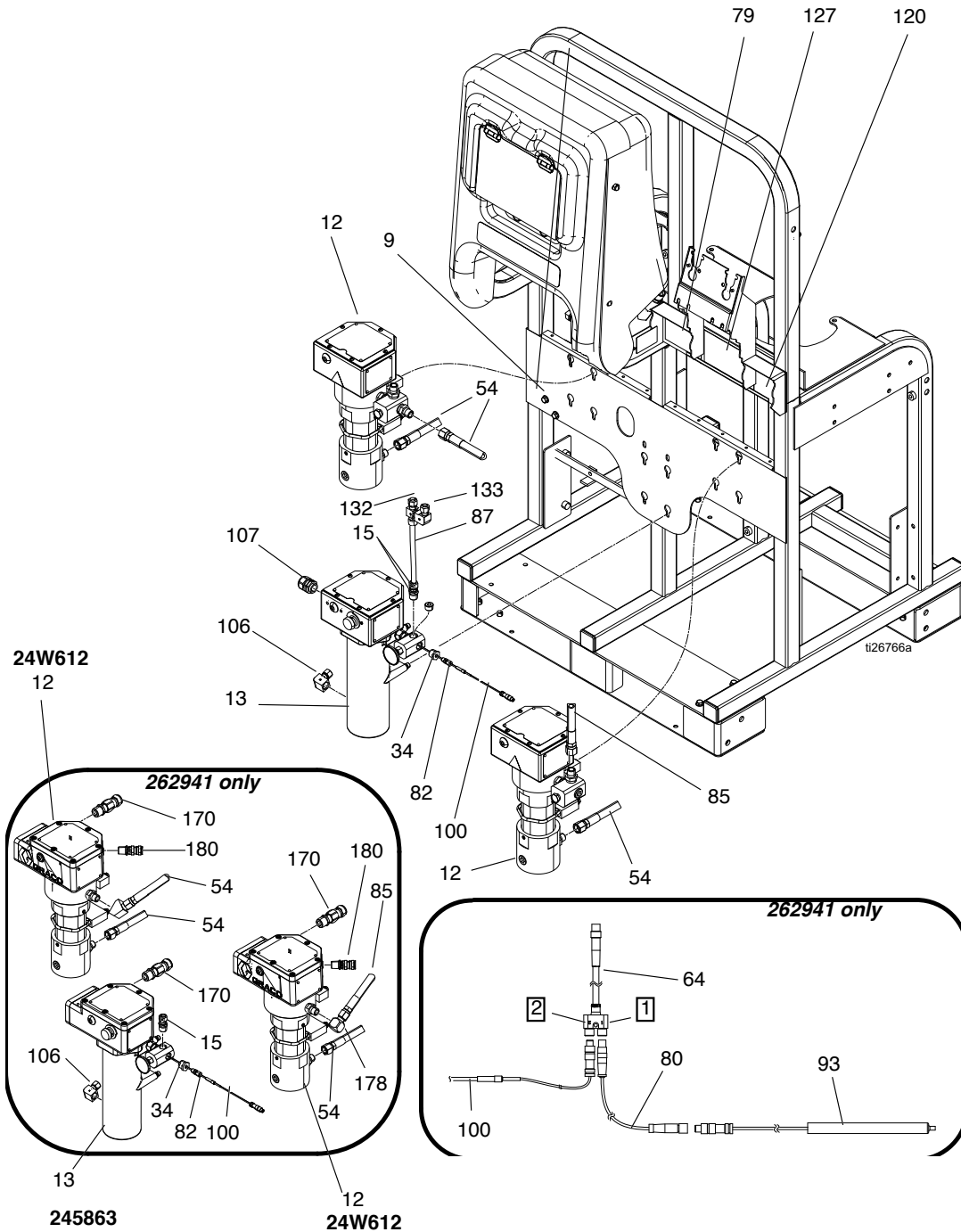
Parts

Base System (262878, 262941) page 4 of 5



Parts

Base System (262878, 262941) page 5 of 5



Parts

Base System (262878, 262941)

Ref	Part	Description	Qty	Ref	Part	Description	Qty
1	---	FRAME	1	38	116643	VALVE, safety, relief, air	1
2	L180C9	PUMP; B side lower	1	39	101689	GAUGE, press, air	1
3	L220C9	PUMP; A side lower	1	40	121688	CONNECTOR, 3/8 npti x 3/8 tube	1
4	100133	WASHER, lock, 3/8	8			ptc	
5	100101	SCREW, cap, hex head	8	41	115313	PLUG, tube	8
6	256169	PLATE, flush pump	1	42	160327	FITTING, union adapter, 90 degree	2
7	121488	SCREW, hex head, flanged	2	43	15J277	CONTROL, de-ice, assembly	2
8	W30CAS	PUMP, solvent, 6.0 in, 75 cc; see 312794	1	44	15M987	FITTING, elbow, 60 degree	2
9	112395	SCREW, cap, flange head	8	45	117666	TERMINAL, ground	1
10	24Y247	JUNCTION BOX; see page 69	1	46	262893	MANIFOLD, mix; see manual 3A2988	1
	24W074	PURGE BOX, explosion proof; 262941 only, see page page 62	1	47	---	SEALANT, pipe, stainless steel	1
11	113796	SCREW, flanged, hex head Model 262878	6	48	---	LUBRICANT, thread	1
		Model 262941	10	49	---	SEALANT, anaerobic	1
12	262853	HEATER, Viscon HF	2	50	206995	FLUID, TSL, 1 qt.	1
	24W612	HEATER, Viscon HF; 262941 only	2	52	108636	MUFFLER	1
13	245869	HEATER, Viscon HP	1	53▲	15X393	LABEL, warning, USB, all languages	1
	245863	HEATER, Viscon HP; 262941 only	1	54	H75003	HOSE, coupled, 7250 psi, 0.50 in. ID, 3 ft	3
14	24P899	FILTER, air, 1-1/4, assembly, page 73	1	55	H75004	HOSE, coupled, 7250 psi, 0.50 in. ID, 4 ft	3
15	126899	FITTING, compression, straight	2			Model 262878	3
16	255771	BOX, control, air/electric, page 71	1			Model 262941	3
17	112958	NUT, hex, flanged	10	56	H73806	HOSE, coupled, 7250 psi, 0.375 in. ID, 6 ft	1
18	255761	MODULE, air controls, upper	1			(Model 262878 only)	
19	---	COVER, shroud, rear	1	57	H42506	HOSE, coupled, 4500 psi, 0.25 in. ID, 6 ft	1
20	256177	COVER, shroud, front	1	58	205418	HOSE, coupled, air, 1/2 x 6 ft	2
21	117623	NUT, cap, 3/8-16	4	59	16P244	HOSE, coupled, air, 5/16 x 3 ft	2
22	---	LABEL, XM PFP	1	60	248208	HOSE, coupled, air, 5/16 x 4 ft	1
23	15T567	NUT, backup plate, hinge	4	61◆	159239	FITTING, nipple, pipe, reducing	4
24	15T568	DOOR, control shroud	1	62	16A004	FLASH DRIVE, USB, 2.0	1
25	121471	HINGE, friction, positioning	2	63	121456	CONNECTOR, power, male, 3 pin	1
26	112380	SCREW, mach, pan head	8	64	125806	CABLE, splitter, M8, 4-pin, female/female/male, 1.5 m	1
27	113498	VALVE, safety, 110 psi	1	65	126511	CABLE, GCA, M8, 4-pin, 1.5 m, male/female	2
28	---	VALVE, ratio control, left; see page 74	1	66	16T123	CABLE, GCA, CAN, male/female, 1.0 m	1
29	---	VALVE, ratio control, right; see page 74	1	67	240900	HOSE, coupled, air, 30 in. x 3/4 in.	3
30	C19024	FITTING, elbow, swivel	1	68	054172	TUBE, nylon, round, black, 1/4 in.	26.5
31	111801	SCREW, cap, hex head	8	69	054175	TUBE, nylon, round, natural, 1/4 in.	8.5
32	217430	FITTING, swivel, union, 90 degree	1	70	551390	SIGHTGLASS, beaker, graduated	10
33	15T536	REGULATOR, air, 3/8 npt	1	71	---	STRAP, tie	20
34	100329	BUSHING, pipe	1	73	238909	WIRE, grounding assembly	1
35	116504	FITTING, tee, run Model 262878	1	74	C12508	TUBING, nylon, round, black, 3/8 in.	4.7
		Model 262941	2	76	109025	TERMINAL, ring	1
36	C20461	FITTING, nipple, reducing, hex Model 262878	3				
37	160032	FITTING, nipple Model 262878	2				

3A2989M

53

Parts

Ref	Part	Description	Qty	Ref	Part	Description	Qty
79	16P856	LABEL, codes, alerts; all languages	1	120	115901	TRIM, edge, protection	2
80	125357	CABLE, M8, 4-pin, male/female, 1 meter	1	121	16T171	STRAP, frame connector	2
81	126494	CABLE, M12, 5p, 4-wire with drain	2	122	100679	SCREW, cap, hex head	8
82	126351	FITTING, compression, thermocouple	1	123	115211	SCREW, cap, hex head	2
83▲	15T468	LABEL, warning	2	124	---	SCREW, hex head with serrated face flange base, 1/2-13	8
85◆	H75002	HOSE, coupled, 7250 psi, 0.5 in. (12 mm) ID, 2 ft	1	125	109570	WASHER, plain	20
86	---	TUBE, 0.375 in. (9.5mm) ID blue nylon	6	126	112731	NUT, hex, flanged	10
87	---	TUBE, 0.375 in. (12 mm) ID red nylon	1.5	127▲	15W598	LABEL, warning	1
88	114601	CONDUIT, flexible, non-metallic	3.5	128	15U654	LABEL, identification, A/B	1
92	15T258	TOOL, wrench, Xtreme, 145/290	1	129	---	FLUID, ethylene glycol/water	2
93	24P242	SENSOR, RTD, 1k ohm, insulated	1	131	16F366	FITTING, 1/4 in. x 1/4 in. push to connect	2
94	158586	FITTING, bushing	1	132	126346	FITTING, tee, tube x tube x nptm	2
95◆	16T316	MIXER, static, assembly, page 78	1	133	126345	FITTING, elbow, tube x nptf	2
96◆	H75010	HOSE, coupled, 7250 psi, 0.50 ID, 10 ft	1	135	121683	CABLE, M8, 4-pin, male/female, 3 meter	2
97◆	H73803	HOSE, coupled, 7250 psi, 0.375 ID, 3 ft	1	136	122032	NUT, wire	2
98◆	24P834	SWIVEL, straight	1	137	15V778	CABLE, CAN, female-female, 20 in.	1
99◆	262854	GUN, spray	1	138	15V779	CABLE, CAN, female-female, 34 in.	1
100	126427	SENSOR, RTD, 1K ohm, 4 pin, 8 in.	1	140	257055	MOTOR, 6500 with sensor	2
101	158990	MANIFOLD, air	1	140a	256893	LINEAR SENSOR ASSEMBLY	1
102	165198	FITTING, nipple, reducing	1	141	100133	WASHER, lock	8
103	121858	FITTING, elbow, 3/8 npte x 1/4 npte	1	142	100101	SCREW	8
104	101754	PLUG, pipe	1	143	257150	ROD, tie	6
105	119798	CONNECTOR, tee, push-tube	1	144	197340	COVER, coupler	2
106	126896	FITTING, elbow, tube	1	145	15H392	ROD, adapter	2
107	121603	GRIP, cord, 0.51-0.71, 3/4	1	146	244820	CLIP, hairpin lanyard	2
108	16T745	BRACKET, water circulation, mount	1	147	244819	COUPLING, assembly rod	2
109	16R871	BOTTLE, overflow, 1/2npt	1	148	101712	NUT, nyloc	6
110	113161	SCREW, flange, hex head	2	149	157350	ADAPTER, 3/8 x 1/4	1
111	108126	FITTING, tee, street	1	150	100081	BUSHING	1
112	126898	FITTING, elbow	1	151	116395	UNION, 90 degree, 1/4 male x 3/8 swivel	1
113†	D150A1	PUMP, diaphragm	1	152	256561	PLATE, mount, pump	1
114	126897	FITTING, elbow	2	153	111799	SCREW, M8 x 1.25 x 16 mm	4
115	206264	VALVE, needle	1	154	256421	HOSE, siphon	1
116	151519	FITTING, nipple, reducing; Model 262878 and 24W648	1	155	181073	STRAINER, inlet	1
	16D939	FITTING, nipple, reducing; Model 262941	1	156†	24X461	KIT, 1:1 fitting; 262941 only	1
117	15R472	FASTENER, hex head, flanged, 1/4 x 1	4	157†	190451	UNION, adapter	1
118	054760	TUBE, polyurethane, round, black	5	158†	162505	FITTING, union, swivel	1
119	100028	WASHER, lock	1	159†	156823	FITTING, union, swivel	1
				160†	116513	REGULATOR, air	1
				161†	16T421	ADAPTER, pipe hex	1
				162†	112307	FITTING, street elbow	1
				163†	234402	KIT, filter, air	1
				164†	102360	WASHER, flat	4
				165†	---	SCREW, mach, slot hex washer hd, 10-24 x 1/2"	4
				166†	24P834	SWIVEL, straight, PTFE	1

Parts

Ref	Part	Description	Qty
167	† ---	NIPPLE, 3/8 - 1/4 npt x 2.6"	1
168	† 156971	FITTING, nipple short	1
169	† ---	FITTING, cap, hex, 1/4 npt(f)	1
170	† 24W678	CABLE, assembly, armored	3
171	† ---	BRACKET, air filter	1
172	† 112698	ELBOW, male, swivel	1
173	† 113911	GAUGE, pressure, air	1
174	† 162453	FITTING, 1/4 npsm x 1/4 npt	1
175	† 166999	FITTING, elbow, street, 1/2M x 1/4F	2
176	† 122161	FITTING, air	2
177	† 115841	FITTING, elbow	1
178	† 158683	FITTING, elbow, 90°	1
179	† 17D946	LABEL, cord wrap	1
180	† 24W680	CABLE, assembly, armored	2

--- Not for sale.

▲ Replacement Danger and Warning labels, tags and cards are available at no cost.

† 262941 only.

◆ Included in mix line and gun kit 24P833.

24X461 1:1 Fitting Kit

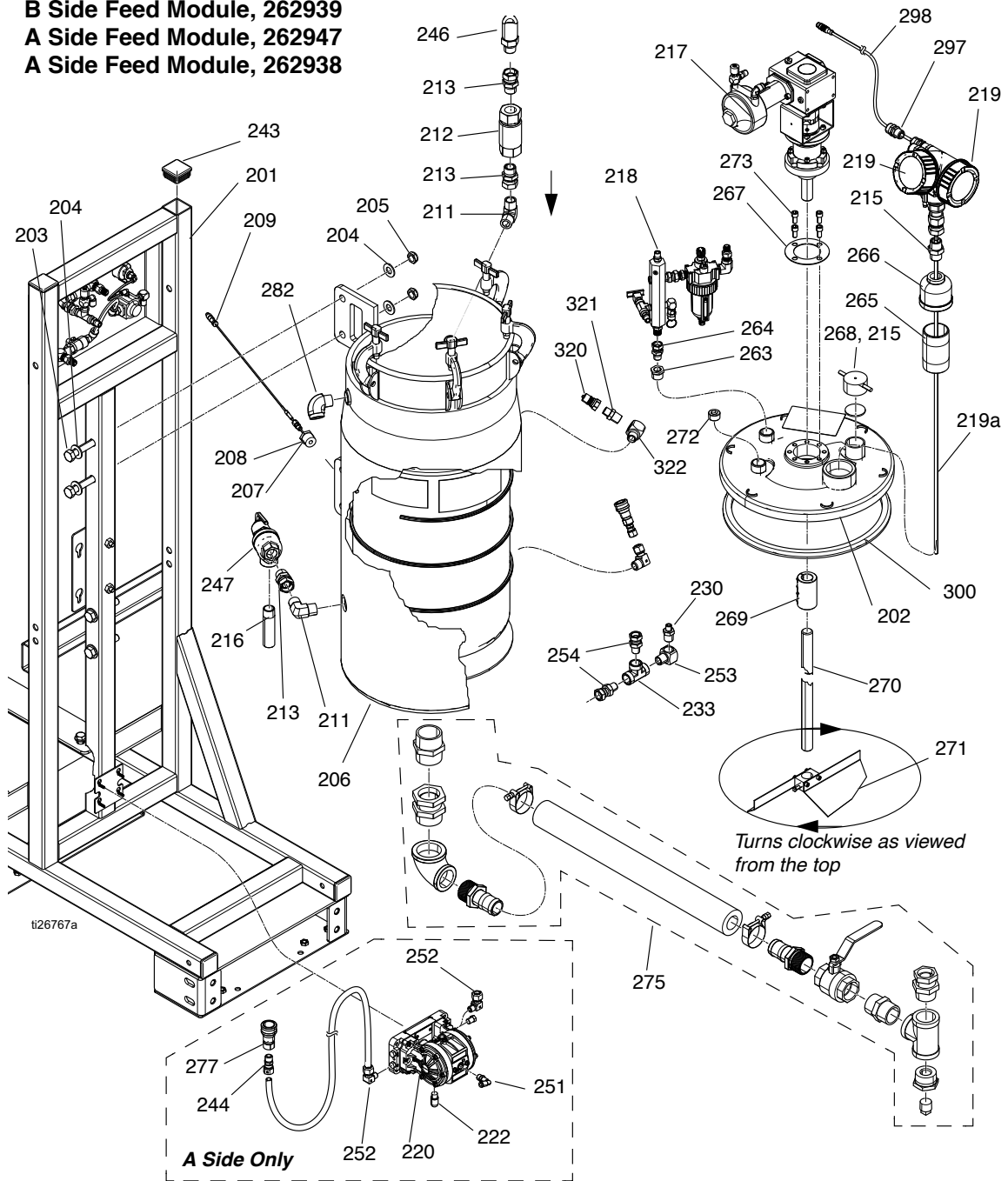
Use to convert the B side recirculation parts on 262941 for 1:1 ratio materials. See manual 334939 for detailed instructions.

Parts

Feed Module (262947, 262938, 262939)

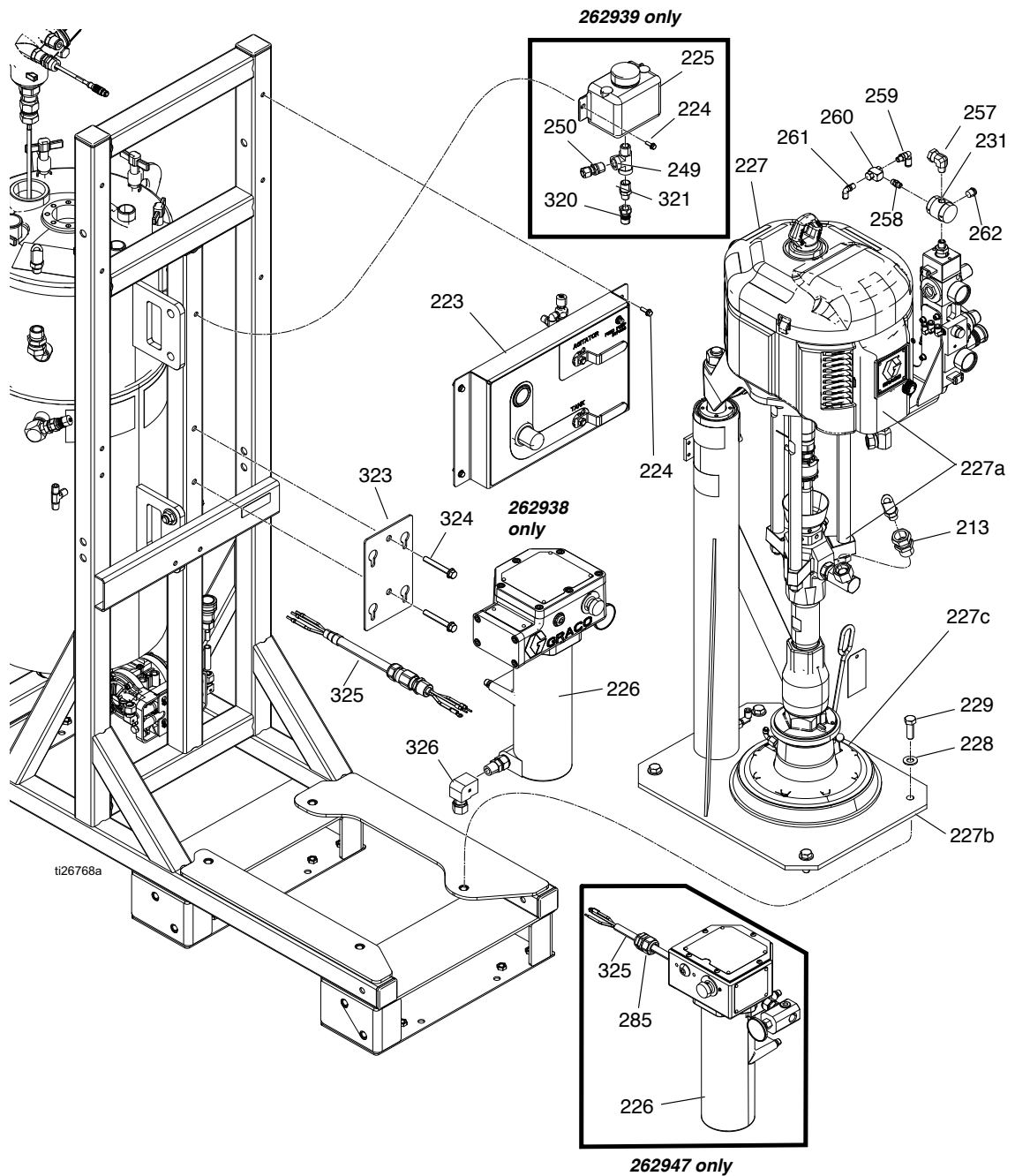
Page 1 of 2

- B Side Feed Module, 262939**
- A Side Feed Module, 262947**
- A Side Feed Module, 262938**



Parts

Page 2 of 2



3A2989M

57

Parts

Feed Module (262947, 262938, 262939)

Ref.	Part	Description	Qty.	Ref.	Part	Description	Qty.
				244	126900	FITTING, 1/2 tube x 3/8 npt(m)	1
201	---	FRAME	1	246	215241	HOSE, 3/4 in. x 6 ft, 6000 psi (41 MPa, 410 bar)	1
202	24M683	TANK, pressure, assembly	1	247	16T244	VALVE, pressure relief, 3/4 in. female npt	1
203	---	BOLT, hex head, 3.25 in. long, 5/8-11	4	248	---	TIE, cable, 14 in.	20
204	111841	WASHER, plain 5/8	8	249	108126	FITTING, tee, street	1
205	---	NUT, self-locking hex, nylon insert, 5/8-11	4	250	126899	FITTING, compression, straight	2
206	16R869	COVER, tank wrap	1	251	112782	ELBOW, swivel, 90 degree	1
207	---	BUSHING, pipe, hex head, 3/4 npt x 1/8 npt, steel	1	252	126897	FITTING, elbow	2
208	126351	FITTING, compression, thermo- couple	1	253	115764	FITTING, elbow, 90 degree	1
209	126381	SENSOR, RTD, 1k ohm, 4 pin, 3 in.	1	254	190451	UNION, adapter	2
210	126898	FITTING, elbow	2	255	---	LABEL, part description	1
211	295847	FITTING, elbow, 90, 3/4 mpt	2	257	116395	FITTING, swivel, elbow	1
212	16T481	VALVE, check (see page 81)	1	258	103656	FITTING, pipe, hex	1
213	157785	FITTING, swivel	4	259	198171	FITTING, elbow	1
215	171988	GASKET, inspection cap	1	260	593538	VALVE, shuttle 1/8 nptf	1
216	16T619	FITTING, nipple, thread on one end	1	261	112781	ELBOW, swivel, 90 degree	1
217	24P885	AGITATOR, assembly, air (see page 75)	1	262	24K976	MUFFLER, 1/4 npt	1
218	---	MANIFOLD, assembly, air (see page 77)	1	263	100505	BUSHING, pipe	1
219	24X090	SENSOR ASSEMBLY, level	1	264	155665	UNION, adapter	1
220	D150A1	PUMP, diaphragm	1	265	16R985	FITTING, nipple, 2 npt	1
221	100016	WASHER, lock	4	266	16R983	FITTING, adapter, 2 npt to 3/4 npt	1
222	102040	NUT, lock, hex	4	267	24P837	GASKET, agitator	1
223	262860	PANEL, assembly, air, Model 262947, page 79	1	268	210575	CAP, filler	1
	262944	PANEL, assembly, air, Model 262938, page 79	1	269	16T245	COUPLING, shaft, one piece clamp	1
224	113796	SCREW, flanged, hex head	8	270	16T396	SHAFT, agitator, lower	1
225	16R871	BOTTLE, overflow, 1/2 npt	1	271	257604	BLADE ASSEMBLY	1
226	245869	HEATER, Viscon; Model 262947	1	272	102726	PLUG, pipe headless	1
	245863	HEATER, Viscon; Model 262938	1	273	109212	SCREW, socket cap head	1
227◆	262868	SUPPLY UNIT, 40:1, 0 volt, S20, 20L	1	274	115219	FITTING, tee, 1/4 npt	1
227a	P40DCS	PUMP AND MOTOR, see man- ual 312376	1	275	262820	KIT, fluid outlet, flexible; see page page 81	1
227b	257620	S20 RAM, see 313527	1	276	126900	CONNECTOR, male	1
227c	16U676	PLATEN, pail, see 3A3113	1	277	126692	CONNECTOR, male	1
228	GC2041	WASHER, flat, std, 1/2	4	282	122327	FITTING, elbow, street; 3/4-14 npt	1
229	100017	SCREW, cap, hex head	4	285			
230	117426	INSERT, tube	6	296	156172	FITTING, union, swivel	1
231	104633	VALVE, pilot	1	297	260067	FITTING, strain relief	1
232	---	SEALANT, pipe, stainless steel	1	298★	127172	CABLE, M12, 5-pin, 4-wire	1
233	103475	FITTING, tee, pipe	1	299	102726	PLUG, pipe, headless	1
234	---	TUBE, 0.375 in. (9.5mm) ID red nylon	3.8				
235	---	TUBE, 0.375 in. (9.5mm) ID blue nylon	4.2				
236	205418	HOSE, coupled	1				
237	109130	HOSE, coupled, 48 in.	1				
238	16P244	HOSE, coupled, 3 feet	3				
239	15B772	HOSE, air, 18 inch	3				
240	054172	TUBE, nylon, round	12				
241	054753	TUBE, nylon, round, black	8				
242	---	TUBE, 0.275 in. ID black nylon	5.5				
243	115313	PLUG, tube	6				

Parts

Ref.	Part	Description	Qty.
300	117571	GASKET, santoprene	1
320	17D307	FITTING, nipple, quick coupling	1
321	159239	FITTING, nipple, pipe, reducing	1
322	158683	FITTING, elbow, 90 degree	1
323	17D024	BRACKET, mount, Viscon Heater	1
324	121488	SCREW, hex head, flanged	2
325	24Y438	CABLE, assembly, armored, (nonhazardous), 262938	1
	24W679	CABLE, assembly, 262947	1
326	126896	ELBOW, 1/2 in. tube x 1/2 nptf	1

--- Not for sale.

◆ See *Supply Systems manuals 313526 and 313527* for detailed instructions and parts list for the S20 Supply Unit (262868).

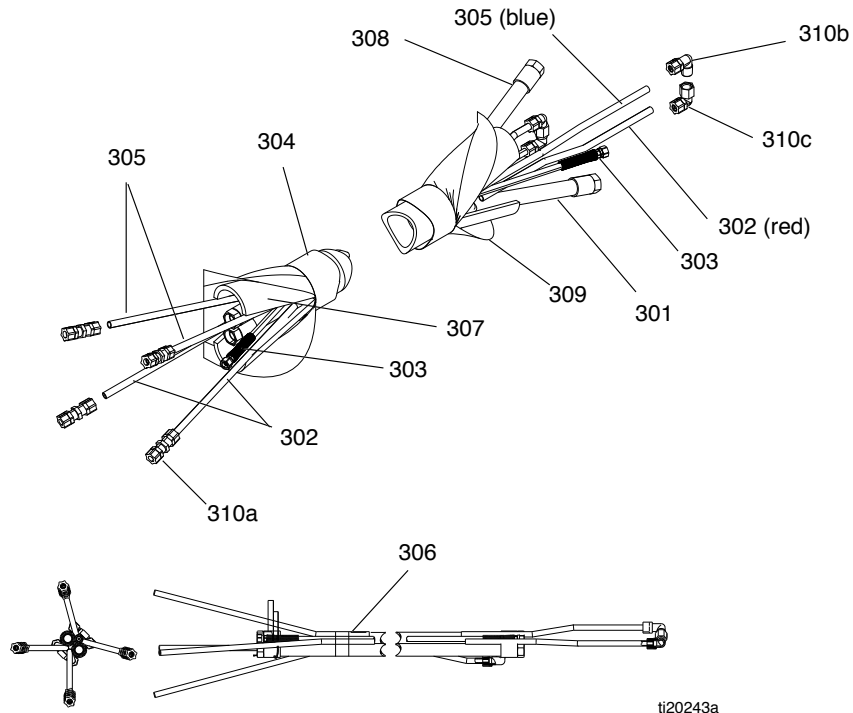
★ Included in radar level sensor kit 24X090. See **Replace Radar Level Sensor** on page 28.

NOTE: 24X090 Level sensor with the blue head replaces the 24P884 sensor with the red head. 24X090 includes (298).

Parts

Heated Hose Bundle

16T121 - 3/4 in. x 1/2 in.
16T122 - 3/4 in. x 3/4 in.



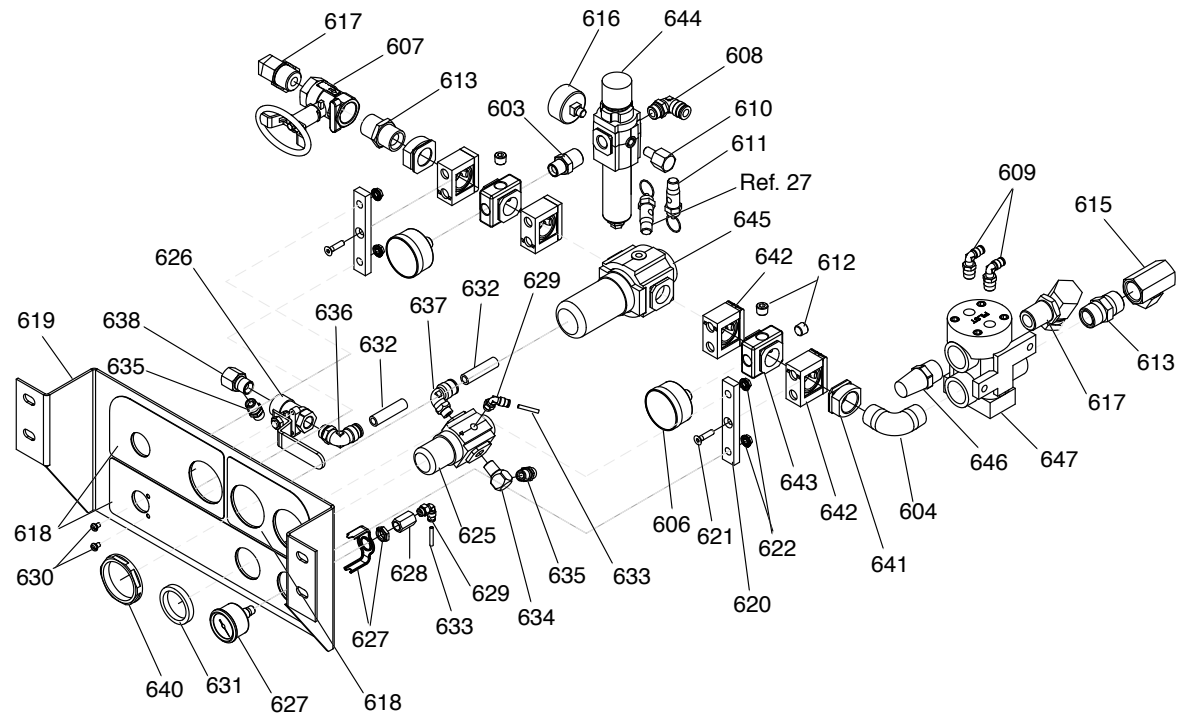
Ref	Part	Description	Qty	Ref	Part	Description	Qty
301	H67550	HOSE, coupled, 3/4 in., 6500 psi; <i>Model 16T121 - Qty 1</i> <i>Model 16T122 - Qty 2</i>		310c	126896	ELBOW, 1/2 in. tube x 1/2 nptf	2
302	16X027	KIT, tube, 0.375 (9.5mm) ID red nylon	2	311◆	16U111	KIT, fittings, hose connection	1
303	H42550	HOSE, coupled, 4500 psi, 1/4 in. ID, 50 ft (15.2 m)	1	311a◆	C20487	NIPPLE, hex	2
304	---	LABEL, identification	1	311b◆	158491	NIPPLE	1
305	16X028	KIT, tube, 0.375 in. (9.5mm) ID blue nylon	2	311c◆	156823	UNION, swivel	2
306	---	TAPE, electrical	1	311d◆	156971	NIPPLE, short	1
307	---	TUBE, insulation, 2-5/8 in. ID, 50 ft (15.2 m)	1				
308	H75050	HOSE, coupled, 7250 psi, 1/2 in. ID, 50 ft (15.2 m); <i>Model 16T121 only</i>	1				
309	16T138	JACKET, scuff, 50 ft (15.2 m)	1				
310	16U666	KIT, tube fittings	1				
310a	126894	UNION, 1/2 in. tube x 1/2 in. tube	4				
310b	126898	ELBOW, 1/2 in. tube x 1/2 nptm	2				

Parts

Base System (262878, 262941) Subassemblies

System Air Controls Module (255761)

NOTE: For Feed Module Air Panel parts, see page 79.



Ref.	Part	Description	Qty.	Ref.	Part	Description	Qty.
603	157350	NIPPLE, pipe; 1/2 x 3/8 npt	1	632	054760	TUBE, polyurethane, round, black; 1.25 in.	-
604	108307	ELBOW, pipe, male	1	633	---	TUBE, polyurethane, round; 0.6 ft.	-
606	101689	GAUGE, press, air	2	634	100840	ELBOW, street	1
607	117346	VALVE, ball, vented	1	635	162453	FITTING; 1/4 npsm x 1/4 npt	2
608	114316	ELBOW, male, swivel	1	636	114114	ELBOW, male, swivel	1
609*	114109	ELBOW, male, swivel; 1/4 OD tube	2	637	114128	ELBOW, male, swivel	1
610	158962	ELBOW, street; 1/4(f) x 1/8(m)	1	638	164259	ELBOW, street	1
611	116643	VALVE, safety, relief, air	1	640★	122336	NUT, panel, regulator	1
612	100721	PLUG, pipe	3	641★	113440	ADAPTER	2
613	119992	PIPE, nipple; 3/4 x 3/4 npt	2	642★	113431	CLAMP, quick	4
615	156589	ADAPTER, union; 90 deg.	1	643★	113442	BLOCK, porting	2
616	113911	GAUGE, pressure, air	1	644★	15R488	REGULATOR	1
617	160327	ADAPTER, union; 90 deg.	2	644a	123454	FILTER, element; 5 micron	1
618	15T119	LABEL, control	1	645★	15R487	REGULATOR	1
619	---	BRACKET, air controls	1	646★	15R486	MUFFLER	1
620	15R437	BRACKET, adapter, air controls	2	647★	15R485	VALVE, dual pilot	1
621	121432	SCREW, machine, hex flat head	2				
622	115942	NUT, hex, flange head	4				
625	116513	REGULATOR, air	1				
626	121457	VALVE, ball, air, panel mounted	1				
627	121424	GAUGE, pressure, panel mount, 1.5 in.	1				
628	100451	COUPLING	1				
629	114151	ELBOW, male, swivel	2				
630	100264	SCREW, machine, pan head	2				
631	116514	NUT, regulator	1				

★ Parts included in Air Controls Kit 255772 (purchase separately).

--- Not for sale.

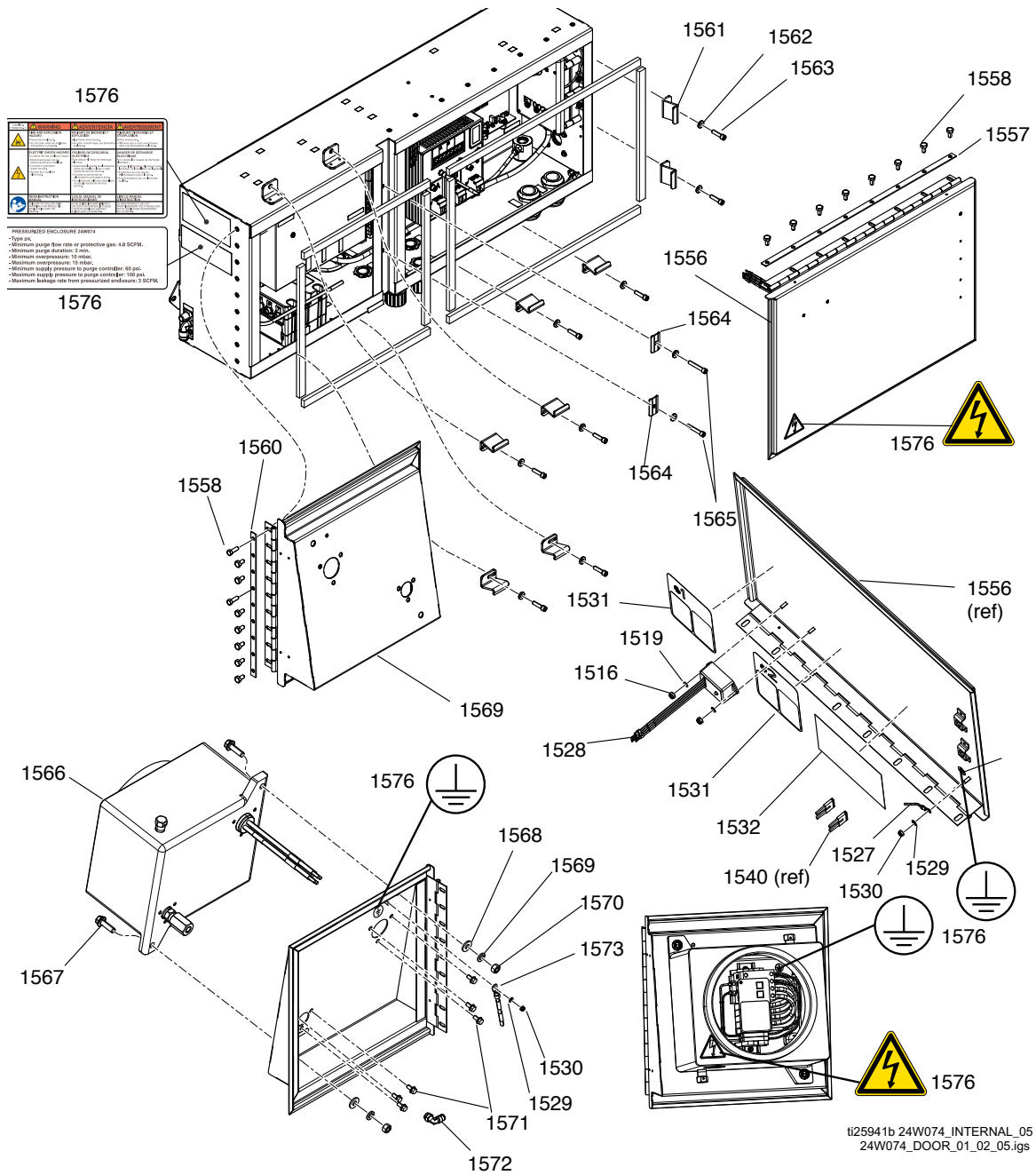
3A2989M

61

Parts

Purge Box (24W074)

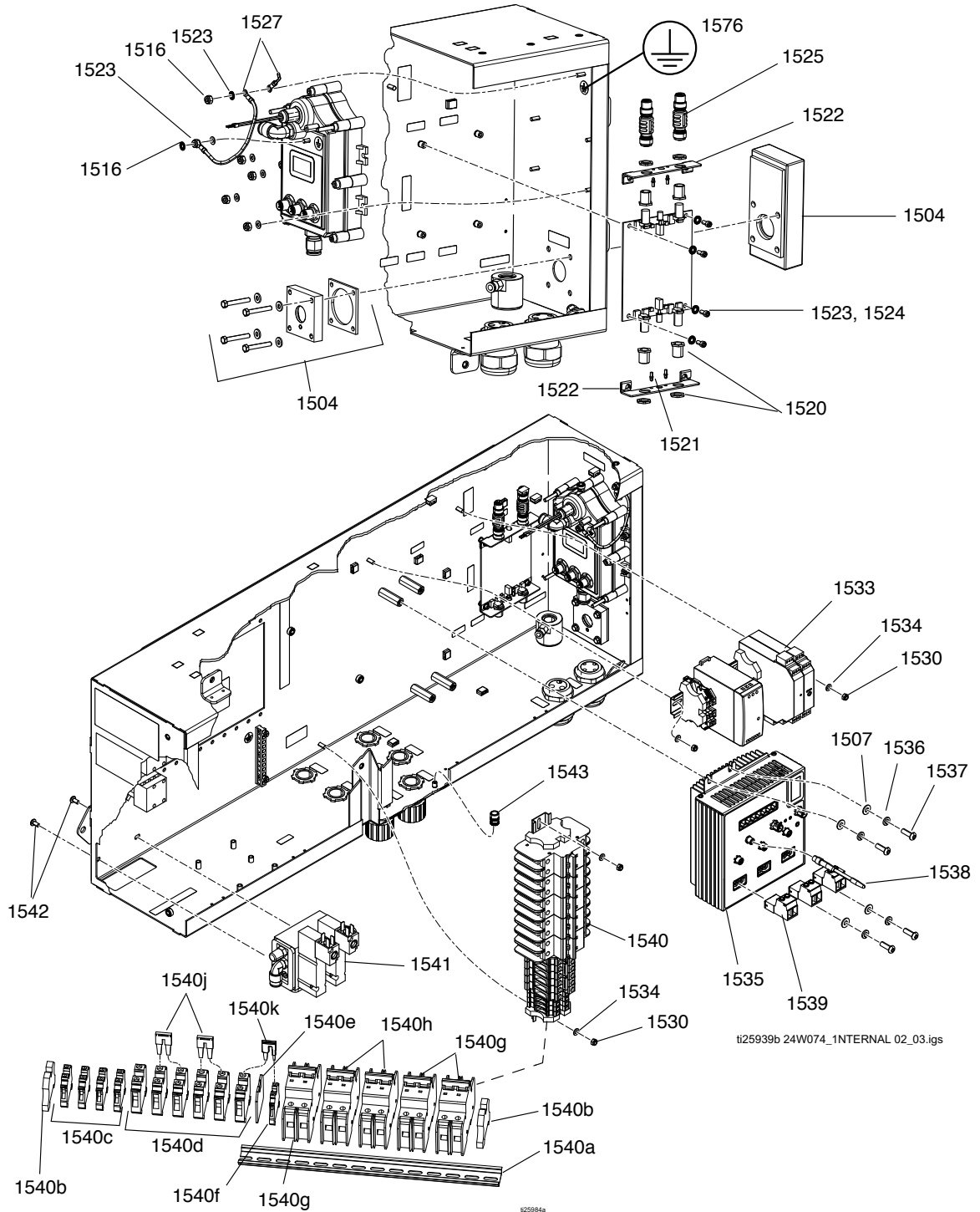
Page 1 of 4



ti25941b 24W074_INTERNAL_05
24W074_DOOR_01_02_05.igs

Parts

Page 2 of 4

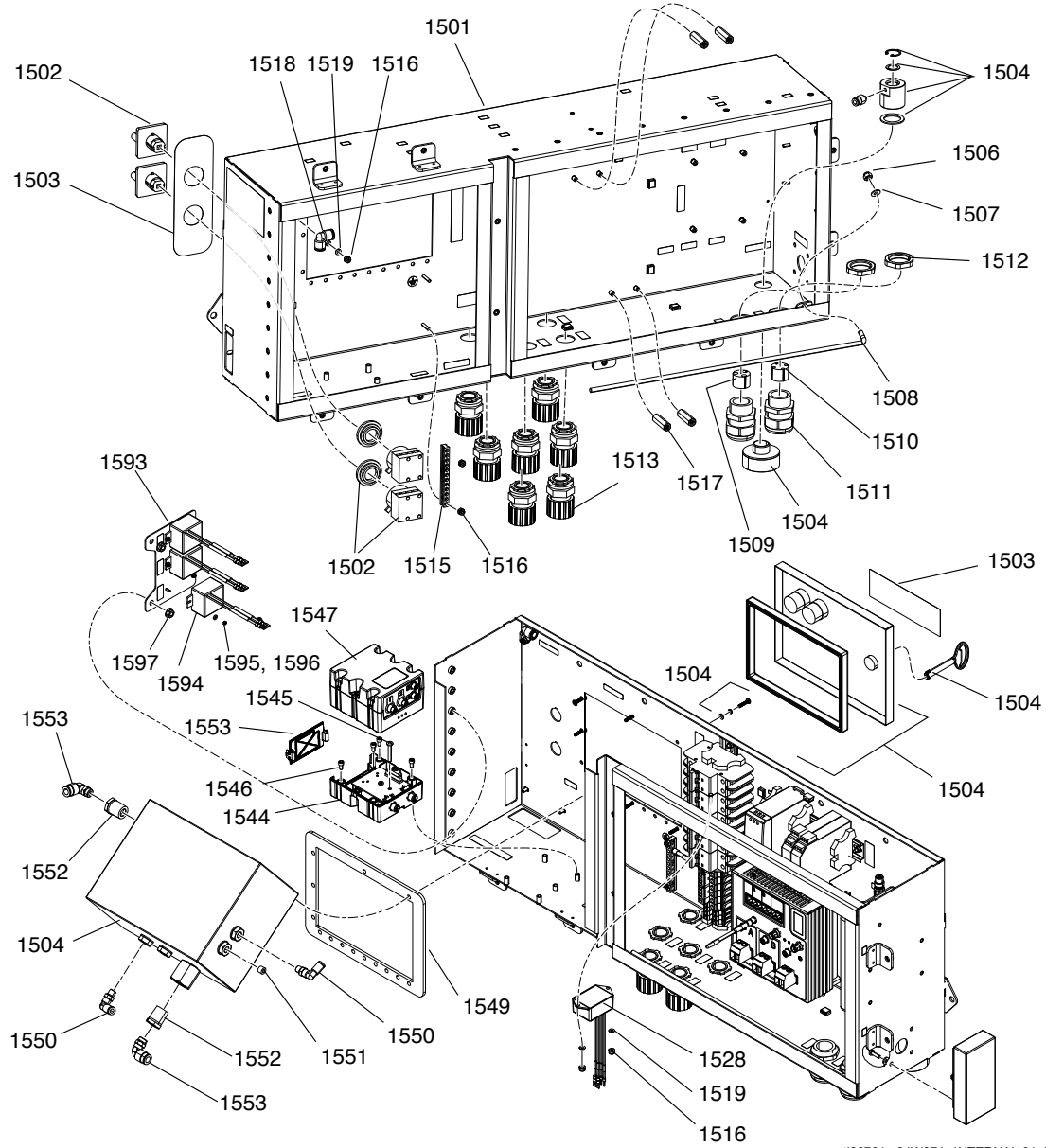


3A2989M

63

Parts

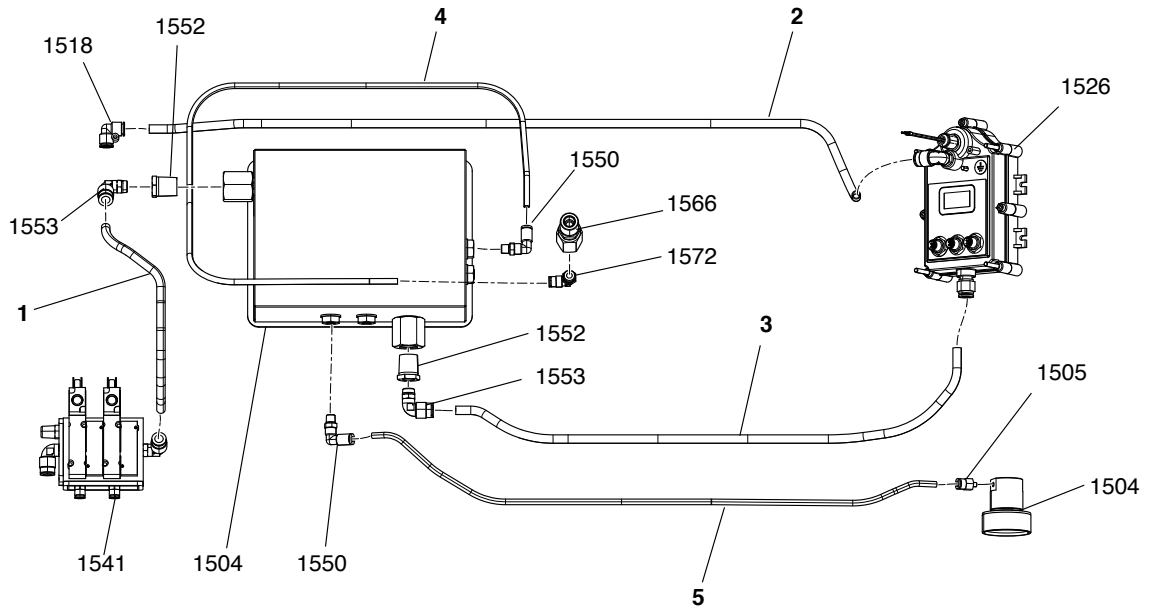
Page 3 of 4



1126761a 24W074_1INTERNAL 01_04

Parts

Page 4 of 4



t25945a 24W074_AIRLINES

Tubing	Ref	Length in (mm)
1	1574	13 (330.2)
2		35 (889)
3		26 (660.)
4	1575	39 (990.6)
5		30 (762)

Parts

Purge Box (24W074)

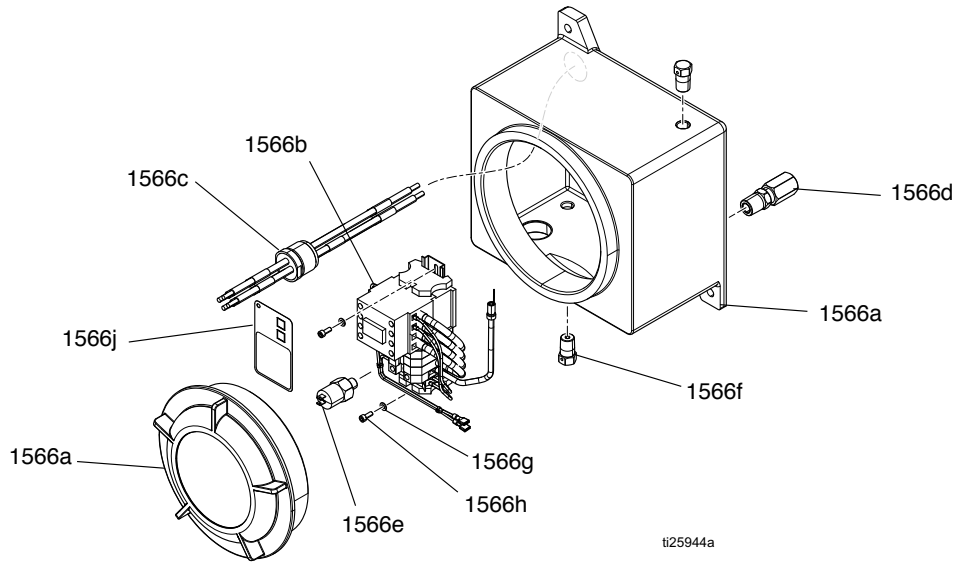
Ref.	Part	Description	Qty.	Ref.	Part	Description	Qty.
				1539	24R754	CONNECTOR, power, male, 2 pin	3
1501	24W069	ENCLOSURE	1	1540	24X085	RAIL, purge, circuit breakers; includes 1540a-1540k	1
1502	15U423	SWITCH, 2P, 25A	2	1540a	514014	RAIL	1
1503	17D815	LABEL, purge box, XM PFP, haz loc	1	1540b	120838	BLOCK, clamp end	2
1504	17D465	CONTROL BOX, purge	1	1540c	17D195	BLOCK, terminal	4
1505	114332	FITTING, connector, male	1	1540d	126382	COVER, end	6
1506	102040	NUT, lock, hex	1	1540e	24X086	BLOCK, terminal, 2 cond, 6.2 mm	1
1507	100086	WASHER, plain	5	1540f	17A314	CIRCUIT, breaker, 2P, 20A, UL489, AB	1
1508	24W820	BRACE, prop, door	1	1540g	17A316	CIRCUIT, breaker, 2P, 30A, UL489, AB	3
1509	127837	GROMMET, CAN, 3 cable	1	1540h	126384	BRIDGE, plug-in, jumper	
1510	127838	GROMMET, sensor, 4 cable	1	1540j	24X087	BRIDGE, plug-in jumper, reducing	2
1511	126881	BUSHING, strain relief	2	1540k	24R755	CONNECTOR, power, female, 7 pin	1
1512	126891	NUT, bushing	2	1541	17C056	MODULE, solenoid, pfp, exp proof	1
1513	16M826	CORD, grip, 3/4 in	7	1542	106084	SCREW, mach, pnh	2
1515	122313	BAR, ground, kit	1	1543	24W821	MAGNET, prop, door	1
1516	109466	NUT, lock, hex	13	1544	289697	MODULE, GCA, cube, base	1
1517	17D464	NUT, coupling, hex, 1/4-20 x 1.5	4	1545	126687	SCREW, mach, pnh	1
1518	17D466	FITTING, push connect, 3/8 3/8 90	1	1546	104371	SCREW, cap sch; 10 x.375	4
1519	107584	WASHER, plain	10	1547	289696	MODULE, GCA, cube, FCM	1
1520	24M485	BOARD, assy, GCA, CAN ISO, IS	1	1548	277674	ENCLOSURE, cube door	1
1521	121645	LIGHT	4	1549	24W073	GASKET, controller, purge	1
1522	16N621	BRACKET, board, circuit	2	1550	112781	ELBOW, swivel,90°	2
1523	102063	WASHER, lock, ext	6	1551	100139	PLUG, pipe	1
1524	103229	SCREW, cap sch	4	1552	100206	BUSHING, pipe	2
1525	16T072	ADAPTER, cable, CAN,IS TO NON IS	2	1553	115841	FITTING, elbow	2
1526	24W610	MODULE, XMPFP, exp atmosphere	1	1555	17B838	STRIP, foam neoprene 0.313 x .625	9.5
1527	194337	WIRE, grounding, door	2	1556	24W052	ENCLOSURE, door, large	1
1528	16U530	MODULE, surge protector	2	1557	24W070	ENCLOSURE, hinge, backer, long	1
1529	100718	WASHER	2	1558	100333	SCREW, cap, hex hd	17
1530	115483	NUT, lock	6	1559	24W054	ENCLOSURE, door, small	1
1531	17D814	LABEL, power, XM PFP, haz loc	1				
1532	127111	ENVELOPE, packing, self-adhesive	1				
1533	17D228	RAIL, purge, haz loc, isolation	1				
1534	116876	WASHER, flat	4				
1535	24Y169	MODULE, gca, mzhp	1				
1536	100016	WASHER, lock	4				
1537	112689	SCREW, button hd	4				
1538	24U109	CABLE, over-temp, switch short	1				

Parts

Ref.	Part	Description	Qty.	Ref.	Part	Description	Qty.
1560	24W072	ENCLOSURE, hinge, backer, short	1	1593	17F587	BRACKET, line filter	1
1561	17C058	LATCH, enclosure, hd	8	1594	17F662	FILTER, line, ssr, assembly	3
1562	331103	WASHER, washer	10	1595	188773	WASHER, flat	6
1563	C19810	SCREW, cap, socket hd	8	1596	C27076	NUT	6
1564	24W116	LATCH, enclosure, center	2	1597	115942	NUT, hew, flange head	2
1565	596936	SCREW, cap, socket hd, 1/4 x 1.5	2	--- Not for sale.			
1566	17B850	BOX, power, explosion proof, page 68	1	▲ Replacement Danger and Warning labels, tags and cards are available at no cost.			
1567	124431	SCREW, head, washer, hex,3/8-16	2				
1568	100023	WASHER, flat	2				
1569	100133	WASHER, lock, 3/8	2				
1570	100307	NUT, hex	2				
1571	113161	SCREW, flange, hex hd	6				
1572	114109	FITTING, elbow, male, swivel	1				
1573	17D194	CABLE, ground, box, purge	1				
1574	C12508	TUBING, nylon, round	6.2				
1575	054172	TUBE, nylon, rd	5.75				
1576▲	17D866	LABEL, safety, purge box, multi	1				
1577	121000	CABLE, CAN, f x f, 0.5m	1				
1578	121806	CABLE, solenoid	2				
1579	127068	CABLE, CAN, female/female 1.0m	2				
1580	17D197	CABLE, sensor, ISO to level, A	1				
1581	17D198	CABLE, sensor, ISO to level, B	1				
1582	17D199	CABLE, sensor, ISO to RTD, hose	1				
1583	17D200	CABLE, sensor, ISO to RTD, heater	1				
1584	17D201	CABLE, sensor, ISO to FCM 3, tank level	1				
1585	17D202	CABLE, sensor, ISO to FCM3, RTD	1				
1586	17D257	CABLE, I.S. CAN, fem-fem, 1.5m	1				
1587	17D260	CABLE, GCA, I.S., CAN, m/f, 1.6m	1				
1588	17D261	CABLE, male A to fem B code, 1.9m	1				
1589	24R735	CABLE, CAN power, m12 fem, pigtail	1				
1590	17D867	LABEL, cord wrap, XM PFP, haz loc	1				
1591	125871	TIE, cable, 7.5 in	21				

Parts

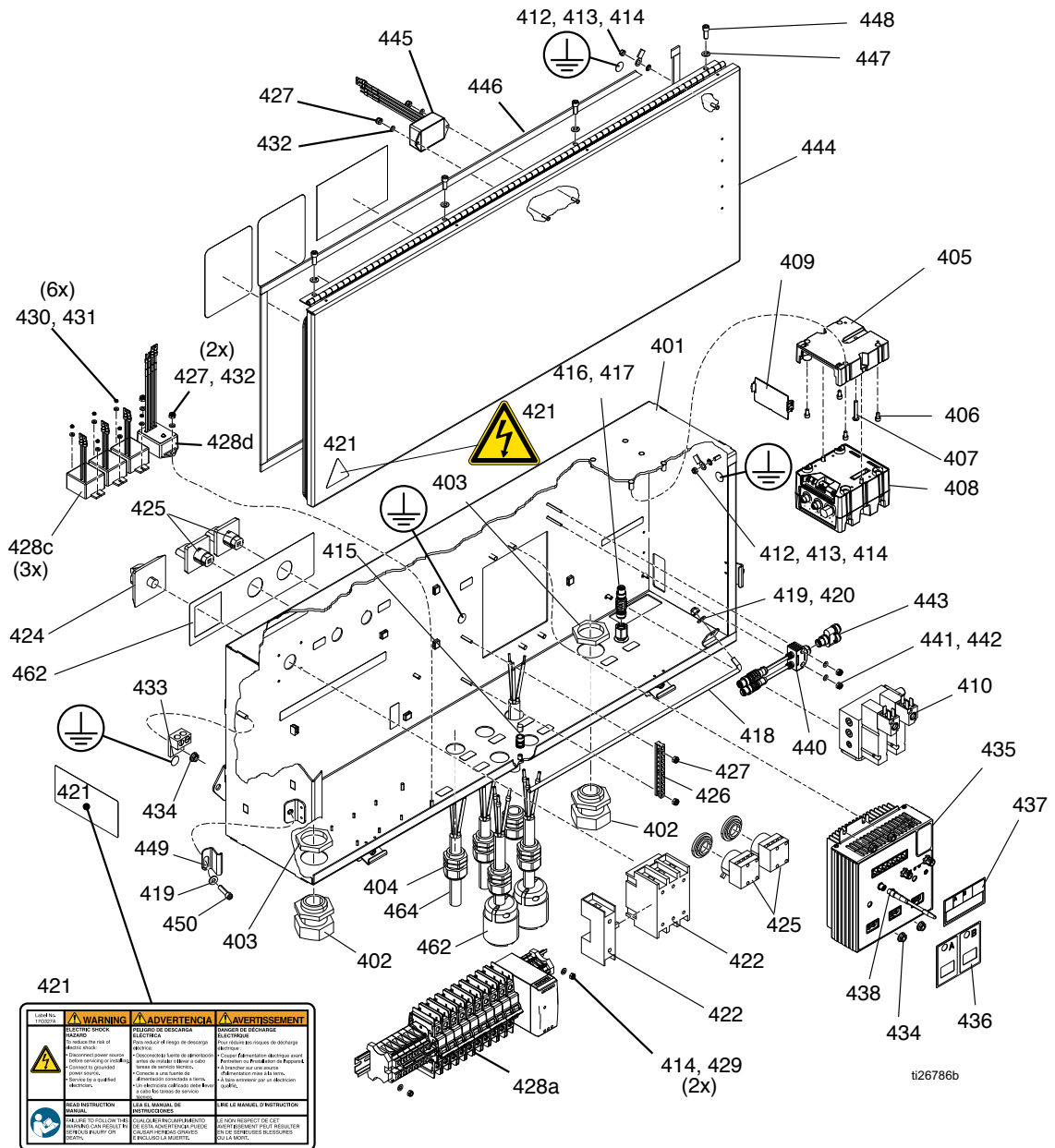
Explosion Proof Power Box (17B850)



Ref. Part	Description	Qty.
1566a 17B849	BOX, explosion proof	1
1566b 17B848	RAIL, power, disconnect	1
1566c 17B984	BUSHING, line	1
1566d 17B982	FITTING, arrestor, flame	1
1566e 17B983	SWITCH, pressure	1
1566f 24X158	BREATHER, drain	2
1566g 116876	WASHER, flat	2
1566h 120039	FASTENER, schs, 10-32 x 1/2 in	2
1566j 17D816	LABEL, hang tag, XM PFP, haz	1
1566k 125871	TIE, cable 7.5 in	1

Parts

Junction Box (24Y247)



	WARNING READ THE SPECIFIC INSTRUCTIONS FOR EACH MODEL. Do not service or modify the product unless you are a qualified electrician.	ADVERTENCIA LEER EL MANUAL DE INSTRUCCIONES. No opere el equipo de chispa a menos que sea un electricista calificado.	AVERTISSEMENT LIRE LE MANUEL D'INSTRUCTIONS. Ne pas intervenir sur cet appareil électrique sans la notice.
	READ INSTRUCTIONS MANUAL. SEE THE SPECIFIC INSTRUCTIONS FOR EACH MODEL. DO NOT SERVICE OR MODIFY THE PRODUCT UNLESS YOU ARE A QUALIFIED ELECTRICIAN.	LEA EL MANUAL DE INSTRUCCIONES. NO OPERE EL EQUIPO DE CHISPA A MENOS QUE SEA UN ELECTRICISTA CALIFICADO.	LIRE LE MANUEL D'INSTRUCTIONS. NE PAS INTERVENIR SUR CET APPAREIL ELECTRIQUE SANS LA NOTICE.

ti26786b

Parts

Junction Box (24Y247)

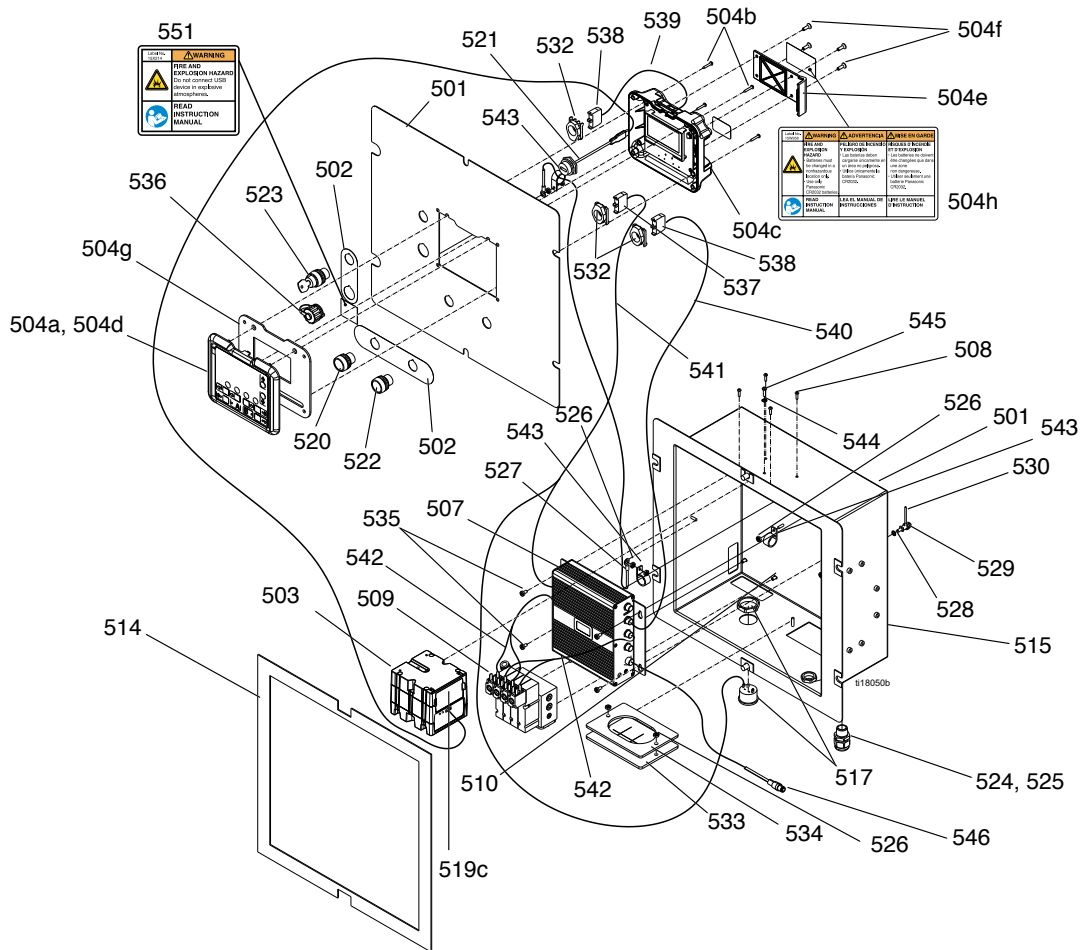
Ref.	Part No.	Description	Qty				
401	---	ENCLOSURE, weldment	1	434	115942	NUT, hex, flange head	5
402	120858	BUSHING, strain relief, m40 thread	2	435	24Y169	MODULE, gca, mzhp	1
403	120859	NUT, strain relief, m40 thread	2	436	17F844	LABEL, ID, multi-zone, lower a b	1
404	121603	GRIP, cord,.51-.71,3/4	5	437	17F921	LABEL, ID, multi-zone, upper a b	1
405	289697	MODULE, gca, cube, base	1	438	24R754	CONNECTOR, power, male, 2 pin	3
406	104371	SCREW, cap sch 10x.375	4	439	24U109	CABLE, over-temp, switch short	1
407	126687	SCREW, mach, pnh	1	440	126495	CABLE, splitter, 4-20ma, 2 circuit	1
408	289696	MODULE, GCA, cube, FCM	1	441	151395	WASHER, flat	2
409	277674	ENCLOSURE, cube door	1	442	C19862	NUT, lock, hex	1
410	---	MODULE, solenoid, pfp	1	443	124273	CONNECTOR, splitter	1
410a	121636	VALVE, solenoid	2	444	17G504	DOOR, weldment	1
410b	15A798	GASKET, outlet	1	445	16U530	MODULE, sys surge protector	1
410c	15A799	GASKET, inlet	1	446	070689	STRIP, foam, neoprene	8
411	106084	SCREW, mach, pnh	2	447	100016	WASHER, lock	4
412	555629	WASHER, #10 external tooth lock	2	448	121112	SCREW, cap, socket head	4
413	194337	WIRE, grounding, door	1	449	17G423	CLAMP, door latch	4
414	115483	NUT, lock	4	450	C19810	SCREW, cap, socket hd	4
415	24W821	MAGNET, prop, door	1	451	24Y439	WIRE, chassis ground	1
416	126496	CONNECTOR, thru, m12, mxf, reverse key	1	452	125789	CABLE, can, f x f, 0.5M	2
417	16T072	ADAPTER, cable, can, is to non is	1	453	126494	CABLE, M12, 5p, 4 wire with drain	2
418	24W820	BRACE, prop, door	1	454	121806	CABLE, solenoid	2
419	331103	WASHER, washer .562 .250 .060 .st	5	455	24R735	CABLE, can power, m12 fem, pig-tail	1
420	102040	NUT, lock, hex	1	456	126511	CABLE, gca, m8, 4-pin, 1.5m, m x f, mold	2
421	17G327	LABEL, safety, junction	1	457	125806	CABLE, splitter, m8, 4-pin, ffm 1.5M	1
422	123969	SWITCH, disconnect, 100 amp	1	458	16T439	LABEL, cord wrap	1
423	123968	SWITCH, disconnect, 100 amp	1	460	125871	TIE,cable,7.50 inch	14
424	123967	KNOB, operator disconnect	1	462	24Y480	CABLE, assembly, junction box	2
425	15U423	SWITCH, 2p, 25a	2	464	24Y437	CABLE, assembly, Viscon heater	3
426	122313	BAR, ground, kit	1	471	16T119	RAIL, mounting, 16 in.	1
427	109466	NUT, lock, hex	6	472	120838	BLOCK, clamp end	3
428	24Y446	RAIL, breaker assembly	1	473	126382	BLOCK, terminal	6
428a	24Y294	RAIL, circuit breaker (includes items 471-482)	1	474	126383	COVER, end	1
428b	24R755	CONNECTOR, power, female	1	475	24X086	BLOCK, terminal, 2 cond, 6.2 mm	1
428c	17H081	FILTER, line, ssr assembly	3	476	17A314	CIRCUIT, breaker, 2P, 20A, UL489, AB	3
428d	16U530	MODULE, system surge protector	1	477	17A316	CIRCUIT, breaker, 2P, 30A, UL489, AB	2
428e	123410	FERRULE, wire, 10 awg	24	478	126453	POWER SUPPLY, 24V	1
429	116876	WASHER, flat	2	479	24R722	BLOCK, terminal PE, quad, AB	1
430	188773	WASHER, flat	6	480	17D195	BLOCK, terminal, 2 cond, 8.2 mm	4
431	C27076	NUT	6	481	126384	BRIDGE, plug-in, jumper	2
432	107584	WASHER, plain	2	482	24X087	BRIDGE, plug-in, jumper, rdng	1
433	117666	TERMINAL, ground	1				

--- Not for sale.

▲ Replacement Danger and Warning labels, tags and cards are available at no cost.

Parts

Control Box (16)



Ref.	Part	Description	Qty	Ref.	Part	Description	Qty
501	---	BOX, control	1	505†	24R897	KIT, replacement, display; includes 504 and 506	1
502	---	LABEL, control display	1	506*	17E110	TOKEN, software	1
503†	24R899	KIT, replacement, USB; includes 519 and 506	1	507†	24R898	KIT, replacement, FCM; includes 518 and 506	1
504●	257484	MODULE, display, kit	1	508	---	SCREW, pan head	4
504a	15M483	SHIELD, membrane, display (qty. 10)	1	509	256555	MODULE, solenoid, IS version	1
504b	---	SCREW, pan head; #6 x 7/8 in.	4	509a	121636	VALVE, solenoid, din connector	4
●504c	288997	CASE, rear, display module, IS version	1	509b	15A798	GASKET, solenoid, outlet	1
504d	255727	CASE, front, data module	1	509c	15A799	GASKET, solenoid, inlet/exhaust	1
504e	277463	COVER, access, low level display	1	510	106084	SCREW, machine, pan head	2
504f	113768	SCREW, socket, flat head	4	514	15R379	GASKET, box, control	1
504g	15R458	GASKET, control, front panel	1	515	---	LABEL	1
▲504h	15W958	LABEL, warning, battery	1	516*	15B056	LABEL, air motor/dosing valve	1
				517	122000	ALARM, panel mount	1
				518●	255920	MODULE, fluid control	1

Parts

Ref.	Part	Description	Qty
519●	257088	MODULE, USB, assy.	.
519a	289899	BASE	1
●519b	289900	MODULE, USB	1
519c	277674	DOOR, module	1
520	121618	SWITCH, start, push button, green	1
521	15R324	HARNESS, USB, plug/bulkhead; 32 in.	1
522	121619	SWITCH, stop, push button, red	1
523	121617	SWITCH, 2 position, key, controls	1
523a*	123412	KEY, replacement (pair)	1
524	117745	BUSHING, strain relief	1
525	117625	NUT, locking	1
526	113505	NUT, keps, hex head	6
527	15B090	WIRE, grounding, door	1
528	---	WASHER, lock, external, 1/4 in.	1
529	15R343	CLAMP, ground, electrical	1
530	---	WIRE, copper	3
531*	172953	LABEL, designation	2
532	120493	LATCH, mounting	3
533	15H189	BOOT, wire feed through	1
534	15G816	COVER, plate, wire	1
535	110637	SCREW, machine, pan head	4
536	15R325	COVER, dust, bulkhead receptacle	1
537	120494	BLOCK, switch, normally open	2
538	120495	BLOCK, switch, normally closed	1
539	15M974	HARNESS, key switch	1
540	15M975	HARNESS, start/alarm	1
541	15M976	HARNESS, stop	1
542	15M977	HARNESS, solenoid	2
543	121988	RETAINER, routing, wire harness	4
544	195875	SCREW, machine, pan head	1
545	102063	WASHER, lock	1
546	15U542	CABLE, motor	2
551▲		LABEL, warning, USB	1
	15X214	English	
	15X393	All languages	
552*	122829	CONDUIT; 0.75 ft.	-

▲ Replacement Danger and Warning labels, tags, and cards are available at no cost.

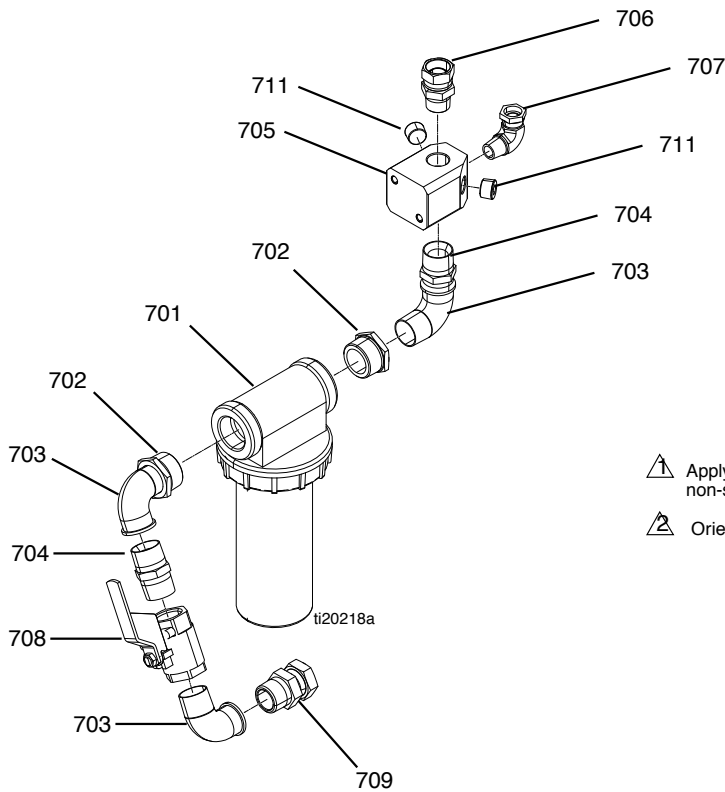
--- Not for sale.

* Not shown.

● Base electronic components do not have XM PFP-specific software installed. Therefore, use software upgrade token (506) to install software before use.

† Includes software token (506) and instruction sheet.

Air Filter (24P899)



- ⚠ Apply PTFE tape and/or pipe sealant to all non-swiveling pipe threads.
- ⚠ Orient fittings approximately as shown.

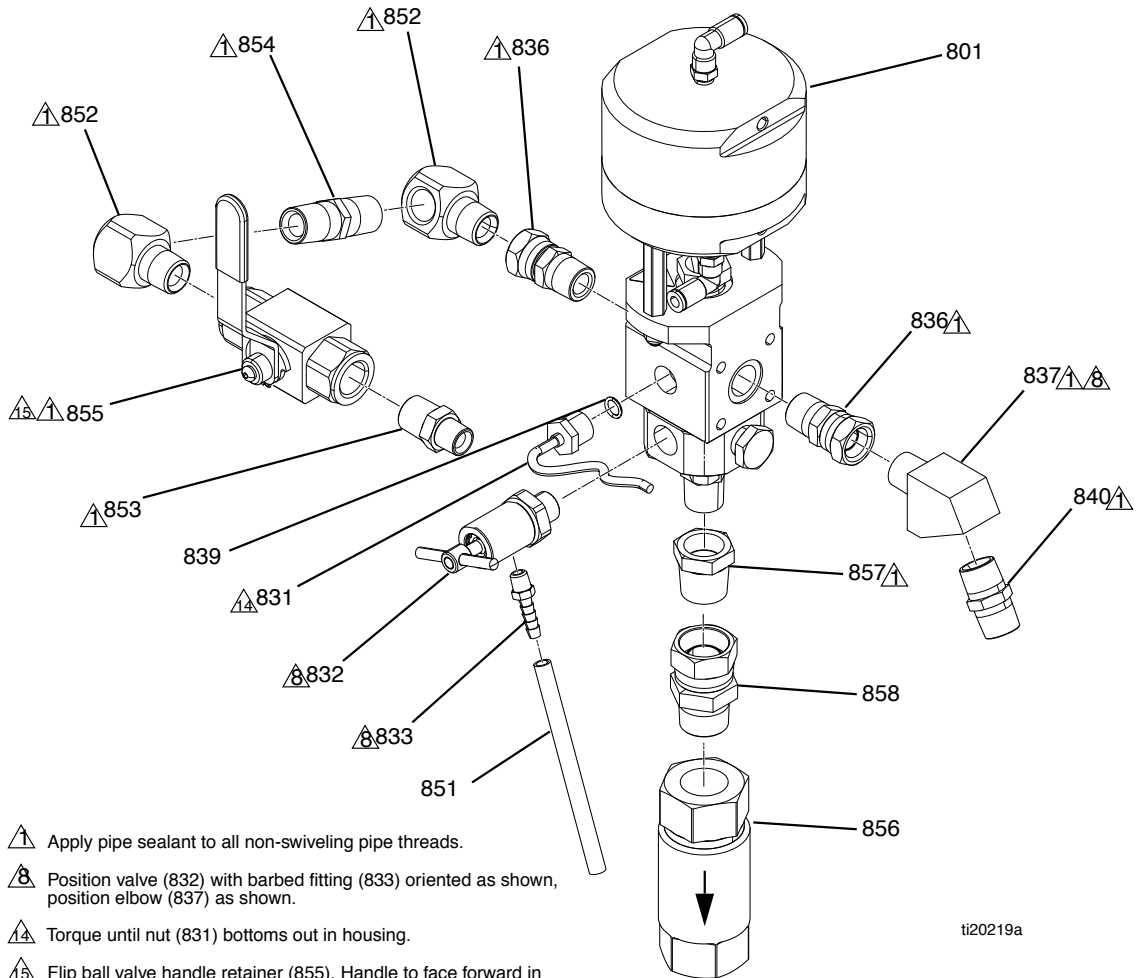
Ref	Part	Description	Qty
701	16T236	FILTER, air, 1-1/4, auto drain	1
701a	◆ 106204	FILTER ELEMENT	1
702	C-19662	BUSHING, 1-1/4 x 1 npt carbon steel	2
703	110300	FITTING, elbow, street, pipe	3
704	158585	FITTING, nipple	2
705	16R951	MANIFOLD, air distribution	1
706	157785	FITTING, swivel	1
707	C-19024	FITTING, elbow, swivel	1
708	113163	VALVE, ball, vented, 1.00 in.	1
709	160022	FITTING, union, adapter	1
710	---	SEALANT, pipe, stainless steel	1
711	100361	PLUG, pipe	2

--- Not for sale.

◆ Not shown.

Parts

Ratio Control Valve Assemblies (28, 29)



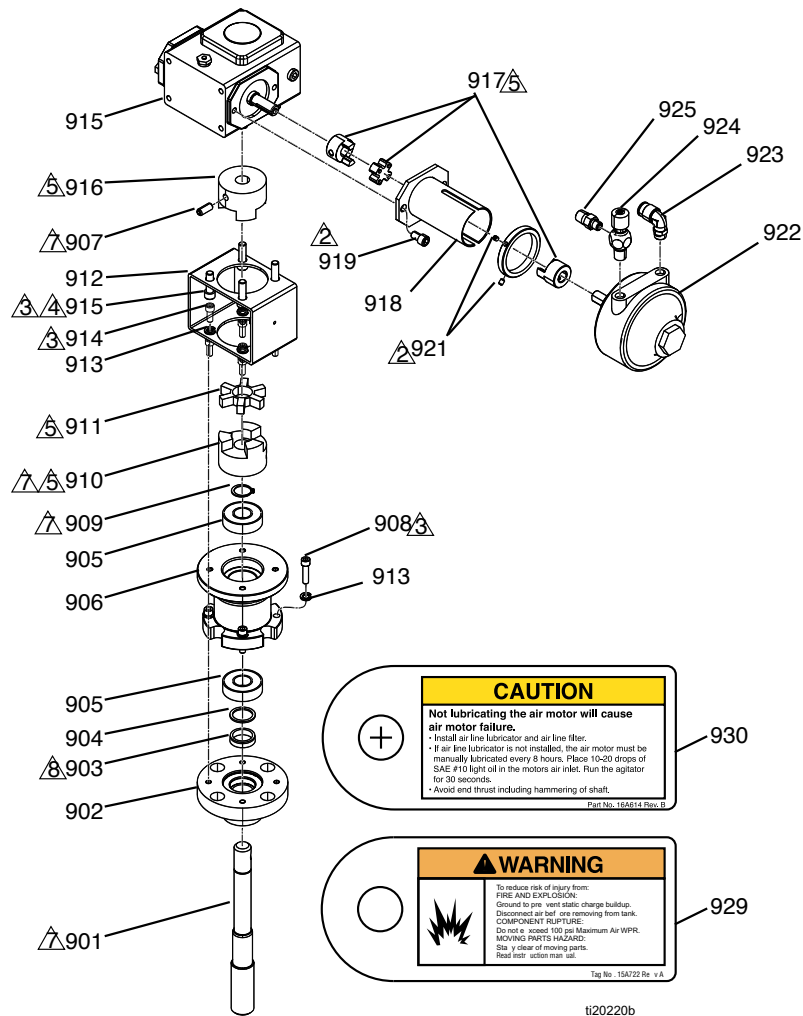
- ▲ Apply pipe sealant to all non-swiveling pipe threads.
- ▲ Position valve (832) with barbed fitting (833) oriented as shown, position elbow (837) as shown.
- ▲ Torque until nut (831) bottoms out in housing.
- ▲ Flip ball valve handle retainer (855). Handle to face forward in open position.

ti20219a

Ref	Part	Description	Qty	Ref	Part	Description	Qty
801†	255478	VALVE, dosing	1	854	156877	FITTING, nipple, long	1
831	15M669	SENSOR, pressure, fluid outlet	1	855	262739	VALVE, ball, 1/2 in.	1
832	262872	VALVE, pressure, bleed, PFP	1	856	16T481	VALVE, check; see page 81	1
833	116746	FITTING, barbed, plated	1	857	502033	FITTING, bushing, pipe	1
836	156684	FITTING, union, adapter	2	858	157785	FITTING, swivel	1
837	15M987	FITTING, elbow, 60 degree	1	† See Dosing Valve Instructions - Parts manual referenced on page 4 for further details.			
839	121399	PACKING, o-ring	1				
840	158491	FITTING, nipple (B side only - Qty 1) (A side only - Qty 2)	1				
851	116750	TUBE, nylon	1				
852	158683	FITTING, elbow, 90 degree	2				
853	159239	FITTING, nipple, pipe, reducing (B side only)	1				

Feed Module Sub-Assemblies

Air Powered Agitator (24P885)



- ▲ Apply pipe sealant to all non-swiveling pipe threads.
- ▲ Apply low strength threadlocker.
- ▲ Apply blue thread locker.
- ▲ Remove four screws from gear reducer (915), pass them through bracket (912) and back into gear reducer (915) then torque to 150-170 in-lb (17-19 N·m).

- ▲ Leave a 0.015 in. gap between each half of couplings (910, 911, 916, 917).
- ▲ When ordering a replacement coupling: Remove set screw supplied with couplings (910, 916) and discard. Replace with set screw (931).
- ▲ Open side of u-cup seal (903) must face down inside housing (902).

Parts

Air Powered Agitator (24P885)

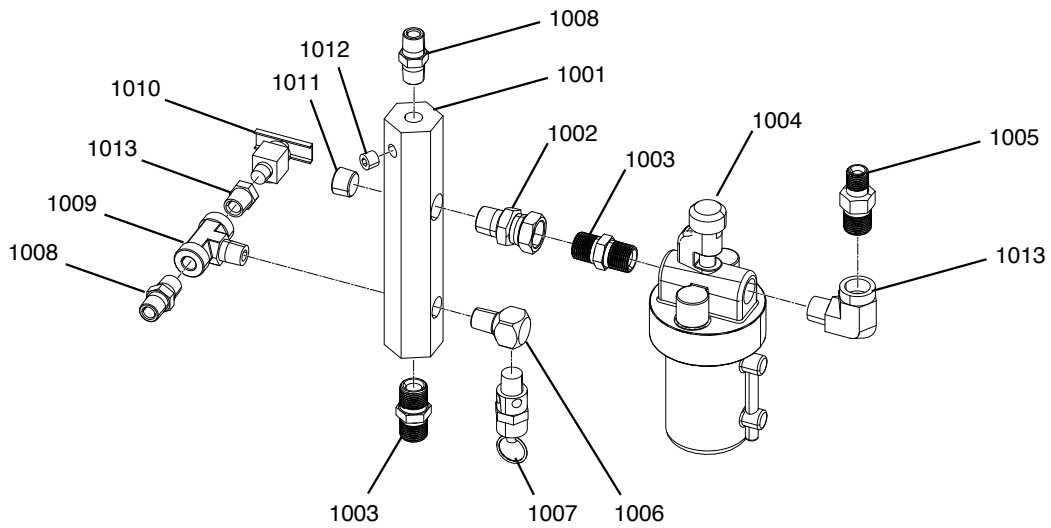
Ref	Part	Description	Qty
901	16P919	SHAFT, agitator, upper	1
902	16U219	HOUSING, agitator	1
903	---	SEAL, 0.875 in. ID x 1.125 in. OD, PTFE	1
904	---	SPACER, shaft, agitator, ASME	1
905	122774	BEARING, ball, 3/4bore x 1-3/4 dia. x 1/2	2
906	16P920	HOUSING, bearing, agitator	1
907	---	SCREW, socket head set screw, 5/16-18 x 0.75	2
908	112222	SCREW, socket cap head	4
909	---	RING, retaining, external, 0.750 in.	1
910	122761	HOUSING, alignment, hub	1
911	122760	COUPLING, alignment, disk, TPE	1
912	16P922	BRACKET, adapter, agitator	1
913	C19209	WASHER, lock	8
914	101682	SCREW, socket cap head	4
915	181794	GEAR, reducer	1
916	16P923	COUPLER, adapter	1
917	100828	COUPLING, flexible	1
918	16T063	COLLAR, mounting	1
919	116940	SCREW, cap, socket head, 5/16-18	2
920	181849	COLLAR	1
921	101118	SCREW	2
922	111310	MOTOR, air, rotary	1
923	115841	FITTING, elbow	1
924	206264	VALVE, needle	1
925	191872	FITTING, nipple, reducing	1
926	---	SEALANT, pipe, stainless steel	1
927	---	SEALANT, low strength thread locker	1
928	---	SEALANT, blue thread locker	1
929▲	15A722	TAG, warning, agitator	1
930▲	16A614	TAG, label, caution	1

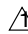

--- Not for sale.

▲ Replacement Danger and Warning labels, tags and cards are available at no cost.

Parts

Tank Air Manifold Assembly (218)



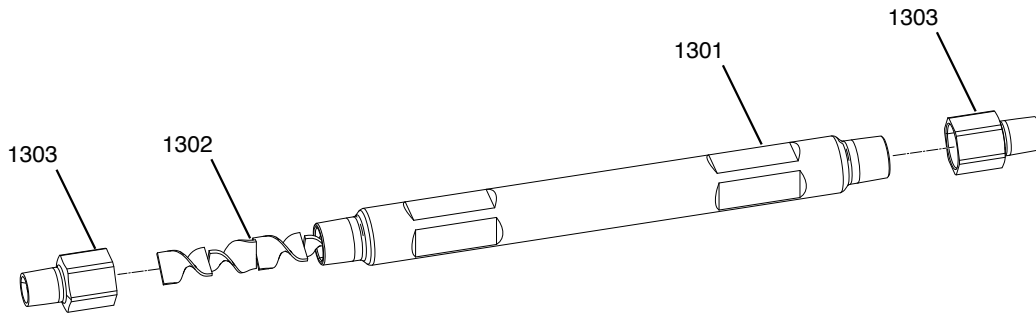
-  Apply pipe sealant to all non-swiveling pipe threads.
-  Orient all fittings as shown.

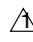
Ref	Part	Description	Qty
1001	189016	MANIFOLD, air, inlet	1
1002	155665	UNION, adapter	1
1003	156849	PIPE, nipple	2
1004	214847	LUBRICATOR, air line	1
1005	165198	FITTING, nipple, reducing	1
1006	100840	FITTING, elbow, street	1
1007	116643	VALVE, safety, 90 psi	1
1008	156971	FITTING, nipple, short	2
1009	108638	FITTING, pipe, tee	1
1010	101759	FITTING, drain cock	1
1011	101754	PLUG, pipe	1
1012	100139	PLUG, pipe	1
1013	100030	BUSHING	1
1014	111856	FITTING, elbow, street	1
1015	---	SEALANT, pipe, stainless steel	1

--- Not for sale.

Parts

Static Mixer (16T316)



 Apply pipe sealant to all non-swiveling pipe threads.

Ref	Part	Description	Qty
1301	---	TUBE, mixer	1
1302	24P886	MIXER, 12 element, stainless steel	1
1303	16T315	BUSHING, reducing 3/4 nptf x 1/2 npt	2
1304	---	SEALANT, pipe, stainless steel	1

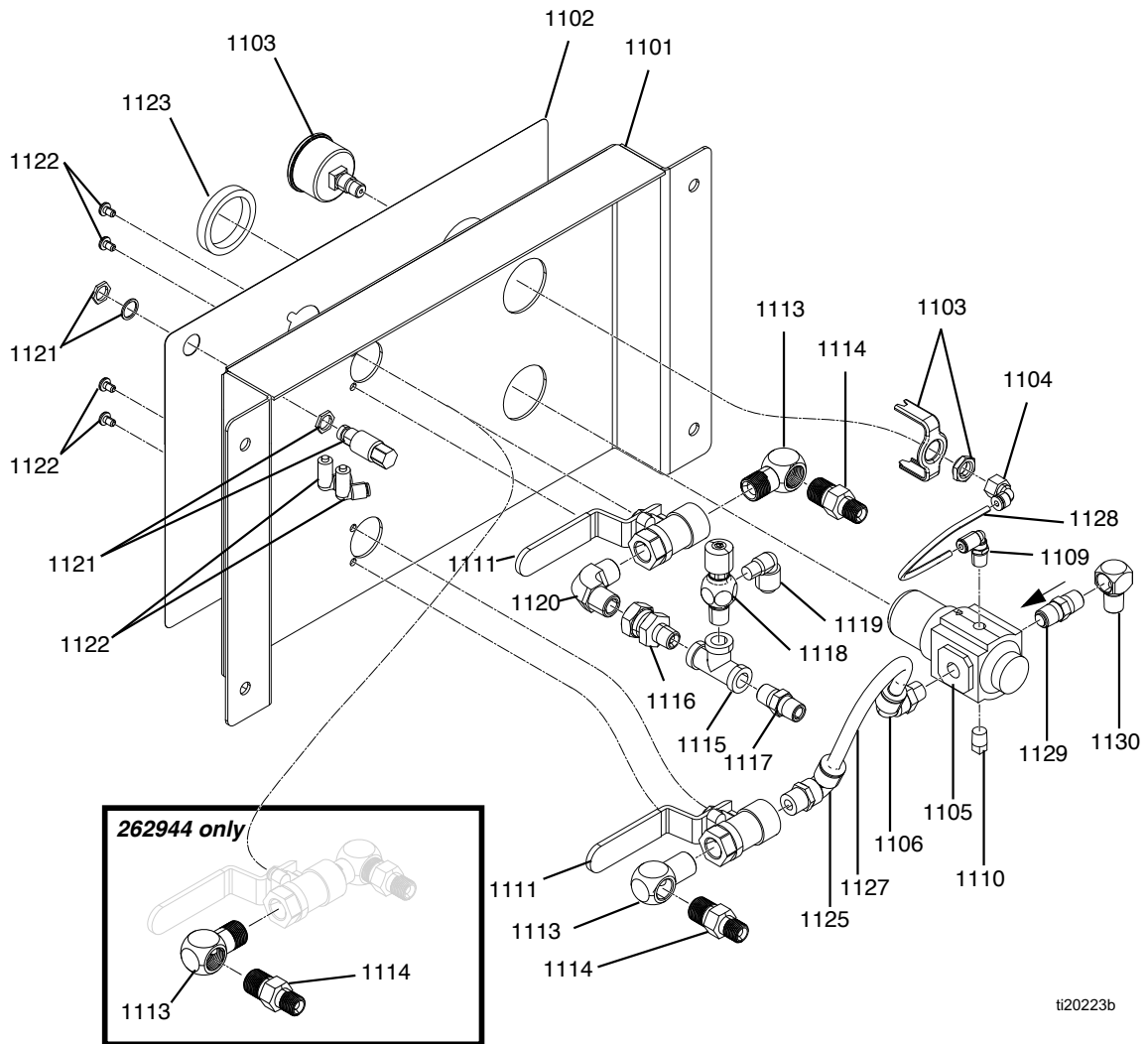
--- Not for sale.

Parts


Feed Module Air Panel

262860, For Non-Hazardous Systems
262944, For Hazardous Systems

NOTE: For System Air Controls Module (255761) parts, see page 61.



ti20223b

 Apply pipe sealant to all non-swiveling pipe threads.

Parts

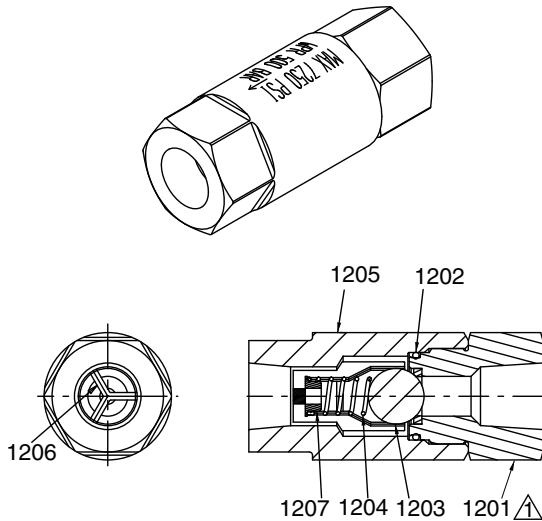
Air Panel

Ref	Part	Description	Qty
1101	---	BRACKET, air control	1
1102	---	LABEL, instructions	1
1103	121424	GAUGE, pressure, panel mount, 1.5 in.	1
1104	15T498	FITTING, 90 degree, swivel, 5/32 in. tee x 1/8 in. female npt	1
1105	116513	REGULATOR, air	1
1106	121141	FITTING, elbow, swivel, 3/8 tee, 1/4 in. male npt	1
1109	198171	FITTING, elbow	1
1110	100403	PLUG, pipe	1
1111	121457	VALVE, ball, air, panel mounted	2
1113	155699	FITTING, elbow, street 262860: Qty 2) (262844: Qty. 3)	
1114	165198	FITTING, nipple, reducing (262860: Qty 2) (262844: Qty. 3)	
1115	104984	FITTING, tee, pipe	1
1116	157705	UNION, swivel	1
1117	156971	FITTING, nipple, short	1
1118	206264	VALVE, needle	1
1119	114367	FITTING, tube, qd, 90 degree elbow	1
1120	109544	FITTING, elbow, pipe, male	1
1121	110914	VALVE, button, push	1
1122	100264	SCREW, mach, panhead	4
1123	116514	NUT, regulator mount	1
1124	109193	FITTING, tube, male, elbow	2
1125	16F151	FITTING, elbow, swivel, 3/8 tee, 3/8 npt	1
1126	---	SEALANT, pipe, stainless steel	1
1127	054134	TUBE, nylon, 3/8 in. OD	1.1
1128	517305	TUBE, nylon, 5/32 in. OD	0.7
1129	106495	VALVE, check, brass, 1/4 MBE	1
1130	100840	FITTING, elbow, street	1

--- Not for sale.

Parts

Check Valve (16T481)

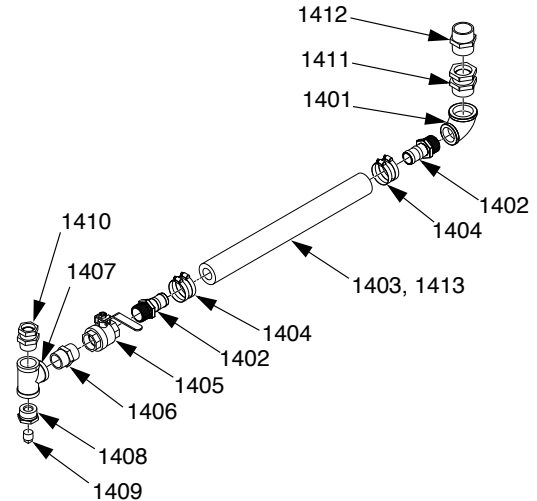


⚠ Torque to 75-80 ft-lb (102-108 N·m).

Ref	Part	Description	Qty
1201	---	NUT, seat	1
1202	102595	PACKING, o-ring	1
1203	100279	BALL, metallic	1
1204	108361	SPRING, compression	1
1205	---	HOUSING, ball check	1
1206	181492	GUIDE, ball	3
1207	181535	RETAINER, spring	1

--- Not for sale.

Flexible Fluid Connection Kit (262820)



Ref	Part	Description	Qty
1401	120291	PIPE, elbow female	1
1402	125995	FITTING, hose, barbed, 1-1/2 npt	2
1403	126320	HOSE, 1-1/2 ID, 200 psi, 3 ft; for side to side configuration	1
1404	126889	CLAMP, hose	2
1405	121440	VALVE, ball, 1-1/2 npt	1
1406	121441	FITTING, nipple, hex, 1-1/2 npt	1
1407	121443	FITTING, tee, 1-1/2npt	1
1408	101496	BUSHING, pipe	1
1409	104663	PLUG, pipe	1
1410	121445	SWIVEL, reducing, 1-1/2 x 1-1/4	1
1411	121436	FITTING, swivel, male, 2 in.	1
1412	121435	FITTING, nipple, hex, 2 in.	1
1413	17D794	HOSE, 1-1/2 ID, 200 psi, 13 in; for front to back configuration	1