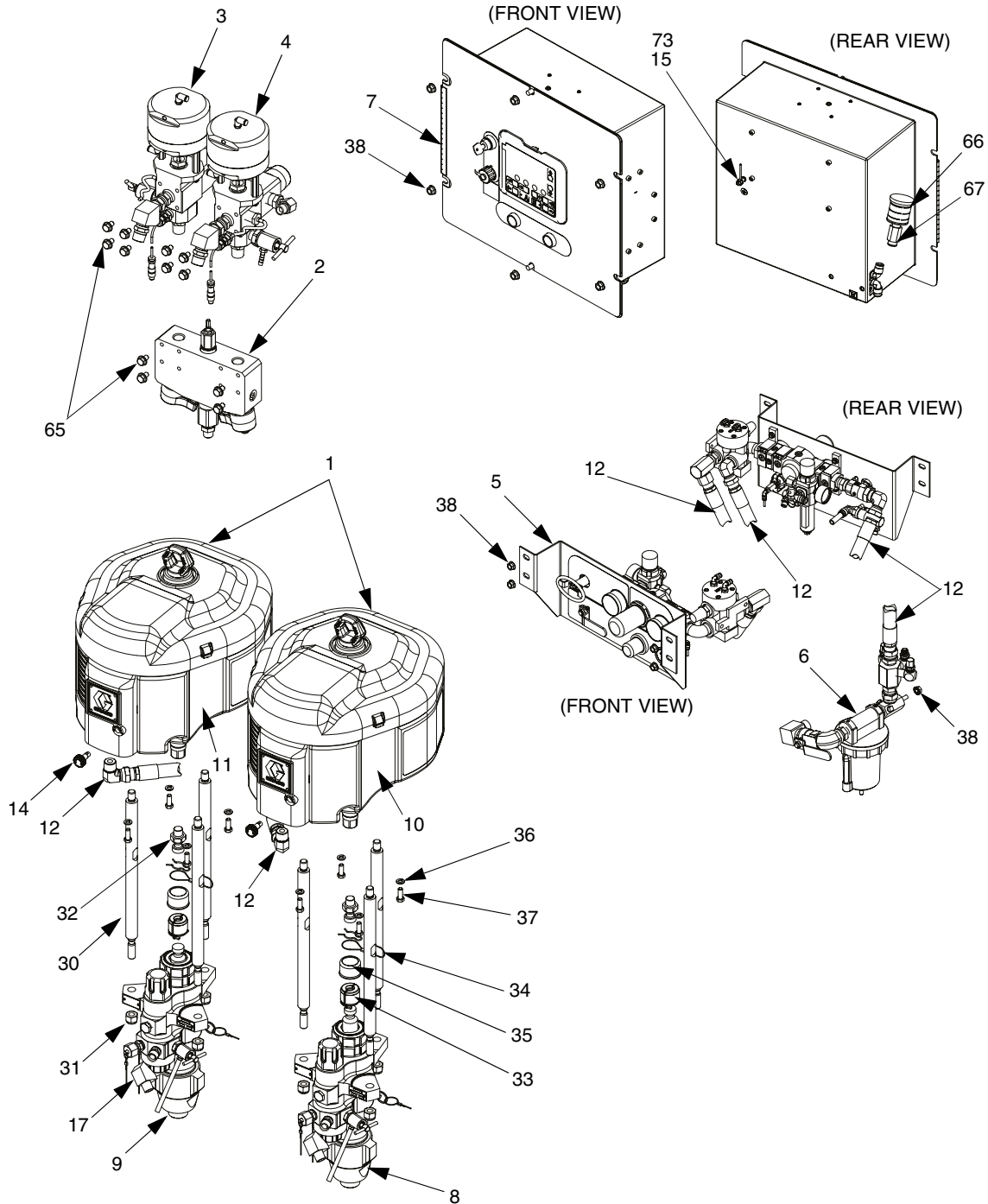


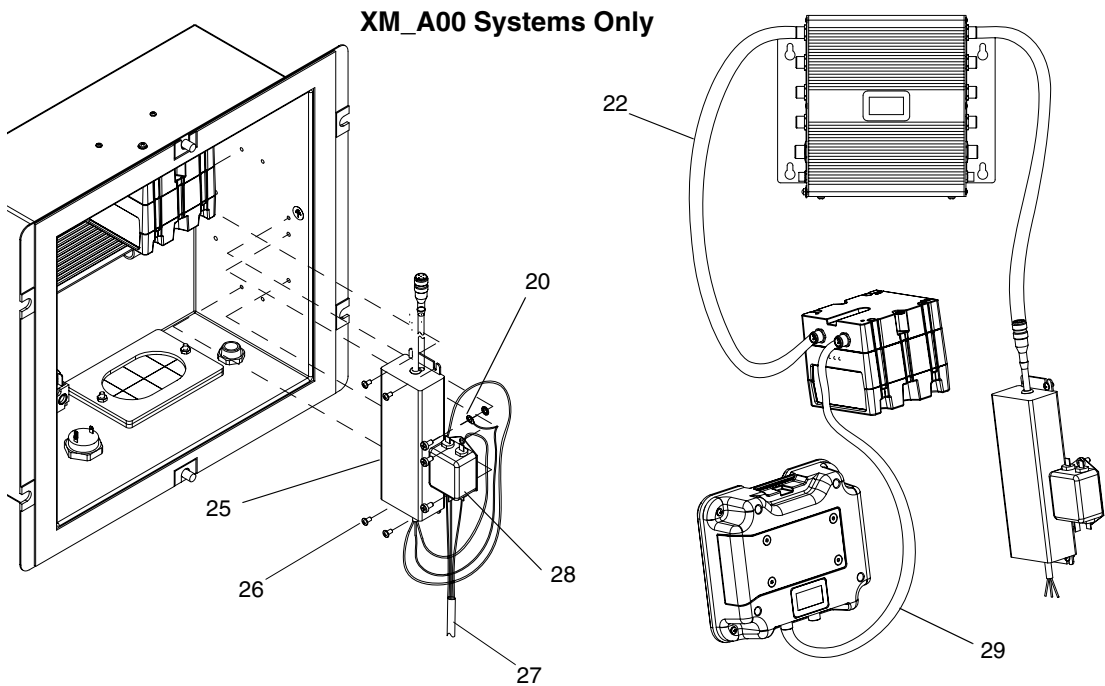
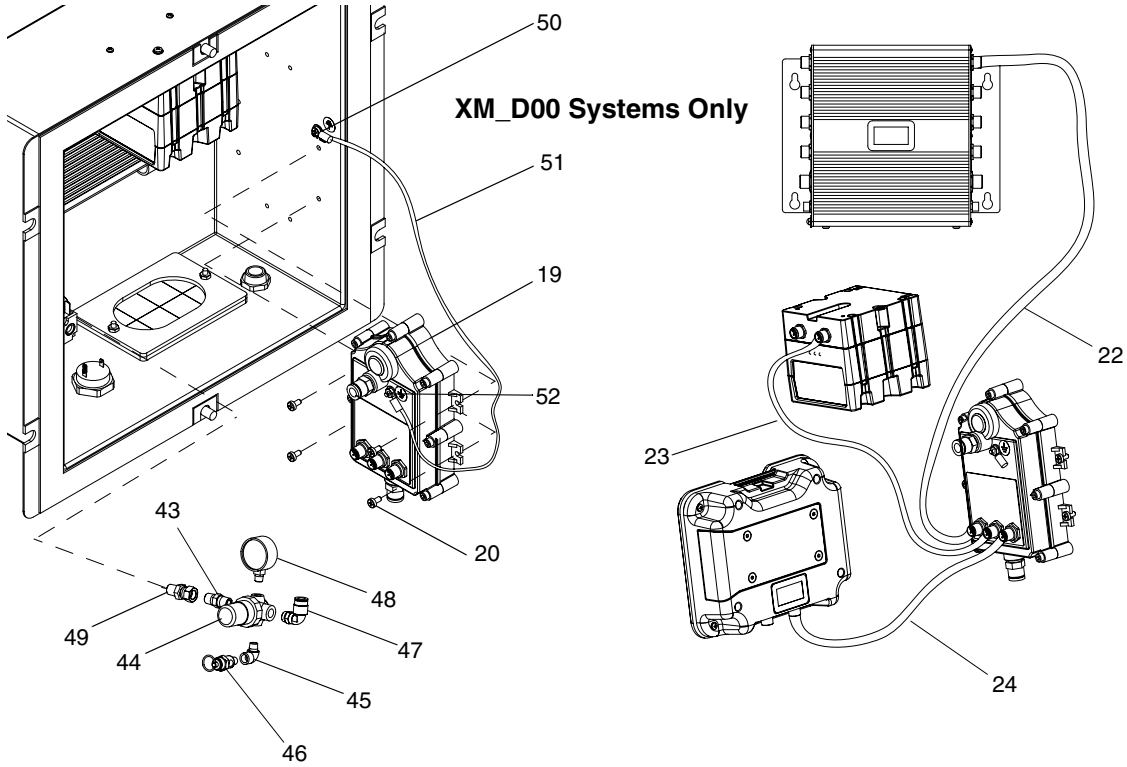
Graco XM Plural Sprayers

Parts

Parts



Parts



313292G

21

Parts

XMA_00 and XMB_00 Parts

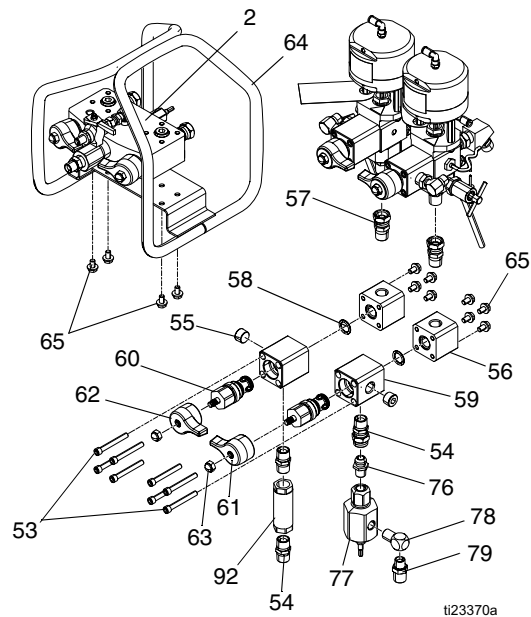
NOTE: Reference numbers not listed are not included with XMA_00 and XMB_00 systems.

Ref.	Part	Description	Qty.
2	255684	MANIFOLD, mix; see manual 313289	1
3		VALVE, ratio control, left; see manual 313289	1
4		VALVE, ratio control, right; see manual 313289	1
5	255761	MODULE, air controls, upper; see manual 313289	1
6	255762	MANIFOLD, inlet air distribution; see manual 313289	1
7	255771	BOX; see manual 313289	1
19✓	255728	MODULE, alternator	1
20	110637	SCREW, mach, pan hd XMAA00 and XMBA00 XMAD00 and XMBD00	3
21✓★	C12508	TUBING, nylon, round	5
22	15V778	CABLE, I.S.CAN, female/female; 20 in.	1
23✓	15V782	CABLE, I.S. CAN, male/female; 20 in.	1
24✓	15V783	CABLE, male/female; 39 in.	1
25*	15V747	POWER SUPPLY, assy.; 24Vdc, 2.5A, 60W	1
26*	100035	SCREW, machine, pan hd	4
27*	15X407	CABLE, power	1
28*	115306	FILTER, power	1
29*	15V779	CABLE, I.S. CAN, female/female; 34 in.	1
38	112958	NUT, hex, flanged	11
40★▲	15X393	LABEL, warning, USB	1
41★	15X126	LABEL, codes	1
42★▲	15W598	LABEL, warning	1
43✓	156971	NIPPLE, short	1
44✓	115243	REGULATOR, air, 1/4 npt	1
45✓	112307	ELBOW, street; 1/8 nptf x 1/8 nptm	1
46✓	15W017	VALVE, safety, regulator	1
47✓	115841	ELBOW, swivel, male; 1/4 npt	1
48✓	104655	GAUGE, pressure, air	1
49✓	156823	UNION, swivel	1
50✓	102063	WASHER, lock, ext	1
51✓	15B090	WIRE, grounding, door	1
52✓	100284	NUT, hex mscr	1
53*	121295	SCREW, cap, socket hd	8
54**	158491	NIPPLE; 1/2 npt	4
55*	100361	PLUG, pipe; 1/2 in. - 14 nptf	2
56*	15R529	BLOCK, manifold	2
57*	156684	ADAPTER, union	2
58*	121139	O-RING	2
59*	15J594	HOUSING, valve	2
60*	255747	CARTRIDGE, valve	2
61*	15R380	HANDLE, green	1
62*	15J916	HANDLE, blue	1

Ref.	Part	Description	Qty.
63*	117623	NUT, cap; 3/8-16 unc	2
64*	262522	CARRIAGE	1
65	111801	SCREW, cap, hex hd	12
66	108636	MUFFLER	1
67	121688	CONNECTOR, 3/8 npt x 3/8 tube	1
68	054175	TUBE, nylon, 1/4 OD, black; 10 ft; see Component Identification , page 9	1
69	054757	TUBE, nylon, 1/4 OD natural; 10 ft; see Component Identification , page 9	1
73	238909	WIRE, grounding assy	1
74★	16A004	FLASH DRIVE, USB, 2.0	1
76*	162505	UNION, swivel; 3/8 male x 1/2 female npt	1
77*	222200	VALVE, restrictor	1
78*	155699	ELBOW, street	1
79*	159239	NIPPLE, pipe; 1/2 x 3/8 npt	1
80**	156849	PIPE, nipple	1
81**	164672	ADAPTER	1
82★	126786	WRENCH, restrictor	1
92*	16N367	COUPLING, 1/2 x 3.5 in.	1

- ✓ Included with XMAD00 and XMBD00 systems only.
- * Included with XMAA00 and XMBA00 systems only.
- ** Included with XMBA00 and XMBD00 systems only.
- ★ Not shown.
- ▲ Replacement Danger and Warning labels, tags, and cards are available at no cost.

XMBA00 and XMBD00 Systems Only



Parts

XME_00 and XMF_00 Parts

NOTE: Reference numbers not listed are not included with XME_00 and XMF_00 systems.

Ref.	Part	Description	Qty	Ref.	Part	Description	Qty
1	257055	MOTOR, 6500, de-icing; see manual 311238	2	40★▲	15X393	LABEL, warning, USB	1
2	255684	MANIFOLD, mix; see manual 313289	1	41★	15X126	LABEL, codes	1
3		VALVE, ratio control, left; see manual 313289	1	42★▲	15W598	LABEL, warning	1
4		VALVE, ratio control, right; see manual 313289	1	43✘	156971	NIPPLE, short	1
5	255761	MODULE, air controls, upper; see manual 313289	1	44✘	115243	REGULATOR, air; 1/4 npt	1
6	255762	MANIFOLD, inlet air distribution; see manual 313289	1	45✘	112307	ELBOW, street; 1/8 nptf x 1/8 nptm	1
7	255771	BOX, control; see manual 313289	1	46✘	15W017	VALVE, safety, regulator	1
8	L250C4	LOWER, Xtreme, 250; see manual 311762	1	47✘	115841	ELBOW, swivel, male; 1/4 npt	1
9	L220C4	LOWER, Xtreme, 220; see manual 311762	1	48✘	104655	GAUGE, pressure, air	1
10	15H652	LABEL, Xtreme, X50	1	49✘	156823	UNION, swivel	1
11	15H654	LABEL, Xtreme, X60	1	50✘	102063	WASHER, lock, ext	1
12	15B554	HOSE, coupled; 48 in.	3	51✘	15B090	WIRE, grounding, door	1
14	NXT102	CONTROL, de-ice, assy	2	52✘	100284	NUT, hex mscr	1
15	119402	CABLE, coiled	2	65	111801	SCREW, cap, hex hd	12
16★	15T258	WRENCH	1	66	108636	MUFFLER	1
17	15M987	ELBOW, 60 degrees	2	67	121688	CONNECTOR; 3/8 npt x 3/8 tube	1
19✘	255728	MODULE, alternator	1	68	054172	TUBE, nylon, 1/4 OD, black; 10 ft; see Component Identification , page 9	
20	110637	SCREW, machine, pan hd XMEA00 and XMFA00 XMED00 and XMFD00	3	69	054757	TUBE, nylon, 1/4 OD natural; 10 ft; see Component Identification , page 9	
21✘★	C12508	TUBING, nylon, round	5	73	238909	WIRE, grounding assy	1
22	15V778	CABLE, I.S. CAN, female/female; 20 in.	1	74★	16A004	FLASH DRIVE, USB, 2.0	1
23✘	15V782	CABLE, I.S. CAN, male/female; 20 in.	1	82★	126786	WRENCH, restrictor	1
24✘	15V783	CABLE, male/female; 39 in.	1				
25✘	15V747	POWER SUPPLY, assy.; 24Vdc, 2.5A, 60W	1				
26✘	100035	SCREW, machine, pan hd	4				
27✘	15X407	CABLE, power	1				
28✘	115306	FILTER, power	1				
29✘	15V779	CABLE, I.S. CAN, female/female; 34 in.	1				
30	257150	ROD, tie	6				
31	101712	NUT, lock; 5/8 in. - 11 unc	6				
32	15H392	ROD, adapter	2				
33	244819	COUPLING, assy	2				
34	244820	CLIP, hairpin with lanyard	2				
35	197340	COVER, coupler	2				
36	100133	WASHER, LOCK; 3/8	8				
37	100101	SCREW, cap, hex hd	8				
38	112958	NUT, hex, flanged	11				
39	160327	UNION, adapter; 90 degrees	2				

✘ Included with XMED00 and XMFD00 systems only.

✘ Included with XMEA00 and XMFA00 systems only.

★ Not shown.

▲ Replacement Danger and Warning labels, tags, and cards are available at no cost.

313292G

23

Parts

XMG_00 and XMH_00 Parts

NOTE: Reference numbers not listed are not included with XMG_00 and XMH_00 systems.

Ref.	Part	Description	Qty	Ref.	Part	Description	Qty
			.	40★▲	15X393	LABEL, warning, USB	1
				41★	15X126	LABEL, codes	1
				42★▲	15W598	LABEL, warning	1
				43‡	156971	NIPPLE, short	1
				44‡	115243	REGULATOR, air; 1/4 npt	1
1	257055	MOTOR, 6500, de-icing; see manual 311238	2	45‡	112307	ELBOW, street; 1/8 nptf x 1/8 nptm	1
2	255684	MANIFOLD, mix; see manual 313289	1	46‡	15W017	VALVE, safety, regulator	1
3		VALVE, ratio control, left; see manual 313289	1	47‡	115841	ELBOW, swivel, male; 1/4 npt	1
4		VALVE, ratio control, right; see manual 313289	1	48‡	104655	GAUGE, pressure, air	1
5	255761	MODULE, air controls, upper; see manual 313289	1	49‡	156823	UNION, swivel	1
6	255762	MANIFOLD, inlet air distribution; see manual 313289	1	50‡	102063	WASHER, lock, ext	1
7	255771	BOX, control; see manual 313289	1	51‡	15B090	WIRE, grounding, door	1
8	L180C4	LOWER, Xtreme, 180; see manual 311762	1	52‡	100284	NUT, hex mscr	1
9	L145C4	LOWER, Xtreme, 145; see manual 311762	1	65	111801	SCREW, cap, hex hd	12
10		LABEL, Xtreme, X70	1	66	108636	MUFFLER	1
11		LABEL, Xtreme, X90	1	67	121688	CONNECTOR; 3/8 npt x 3/8 tube	1
12	15B554	HOSE, coupled; 48 in.	3	68	054172	TUBE, nylon, 1/4 OD, black; 10 ft; see Component Identification , page 9	
14	NXT102	CONTROL, de-ice, assy	2	69	054757	TUBE, nylon, 1/4 OD natural; 10 ft; see Component Identification , page 9	
15	119402	CABLE, coiled	2	73	238909	WIRE, grounding assy	1
16★	15T258	WRENCH	1	74★	16A004	FLASH DRIVE, USB, 2.0	1
17	15M987	ELBOW, 60 degrees	2	82★	126786	WRENCH, restrictor	1
19‡	255728	MODULE, alternator	1				
20	110637	SCREW, mach, pan hd XMGGA00 and XMHA00 XMGD00 and XMHD00	3 5				
21‡★	C12508	TUBING, nylon, round	5				
22	15V778	CABLE, I.S. CAN, female/female; 20 in.	1				
23‡	15V782	CABLE, I.S. CAN, male/female; 20 in.	1				
24‡	15V783	CABLE, male/female; 39 in.	1				
25◆	15V747	POWER SUPPLY, assy.; 24Vdc, 2.5A, 60W	1				
26◆	100035	SCREW, machine, pan hd	4				
27◆	15X407	CABLE, power	1				
28◆	115306	FILTER, power	1				
29◆	15V779	CABLE, I.S. CAN, female/female; 34 in.	1				
30	257150	ROD, tie	6				
31	101712	NUT, lock; 5/8 in. - 11 unc	6				
32	15H392	ROD, adapter	2				
33	244819	COUPLING, assy	2				
34	244820	CLIP, hairpin with lanyard	2				
35	197340	COVER, coupler	2				
36	100133	WASHER, LOCK; 3/8	8				
37	100101	SCREW, cap, hex hd	8				
38	112958	NUT, hex, flanged	11				
39	160327	UNION, adapter; 90 degrees	2				

‡ Included with XMGD00 and XMHD00 systems only.

◆ Included with XMGA00 and XMHA00 systems only.

★ Not shown.

▲ Replacement Danger and Warning labels, tags, and cards are available at no cost.