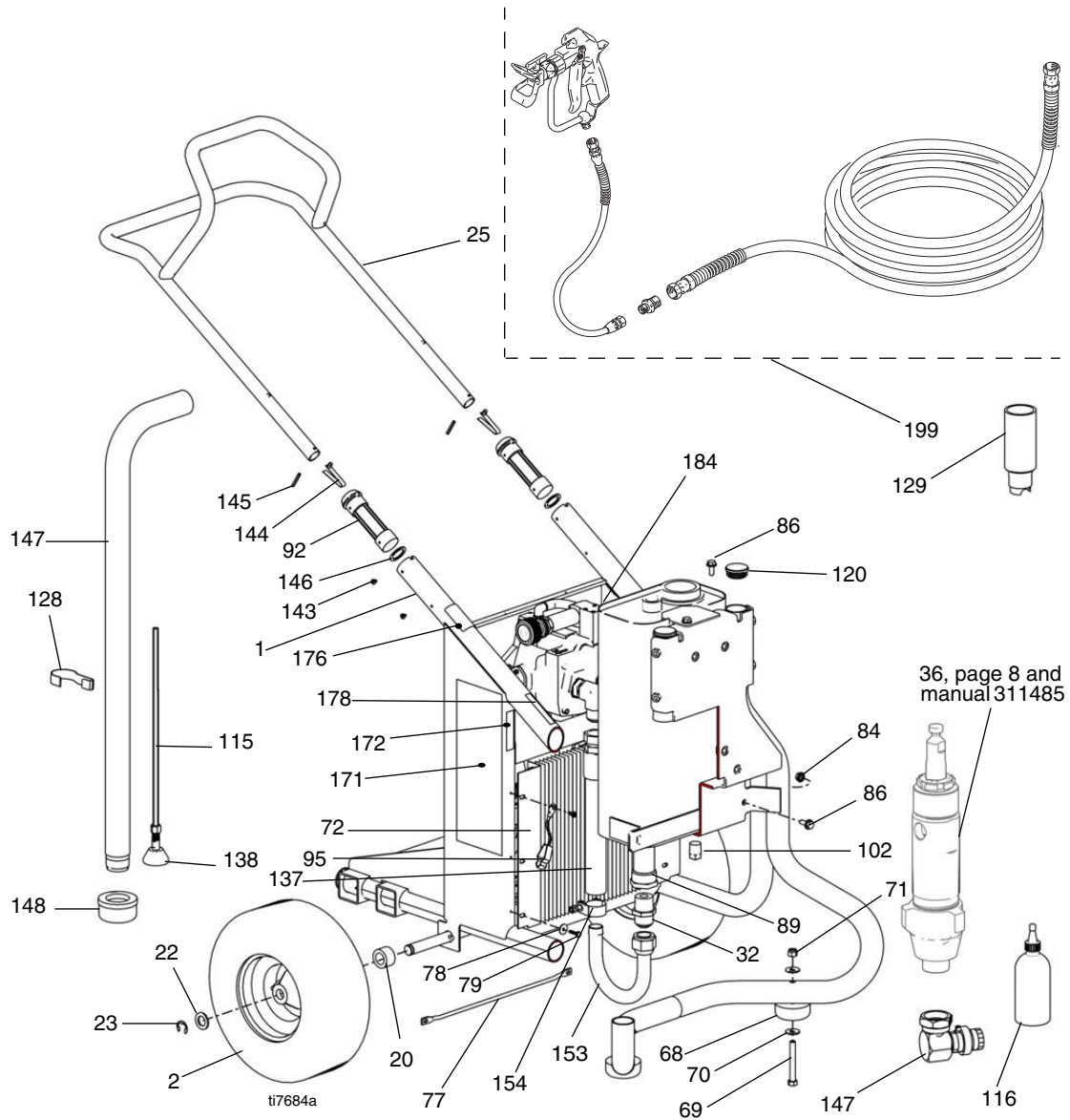


Graco GH833 Big-Rig

Parts - Frame

**Parts - Frame**



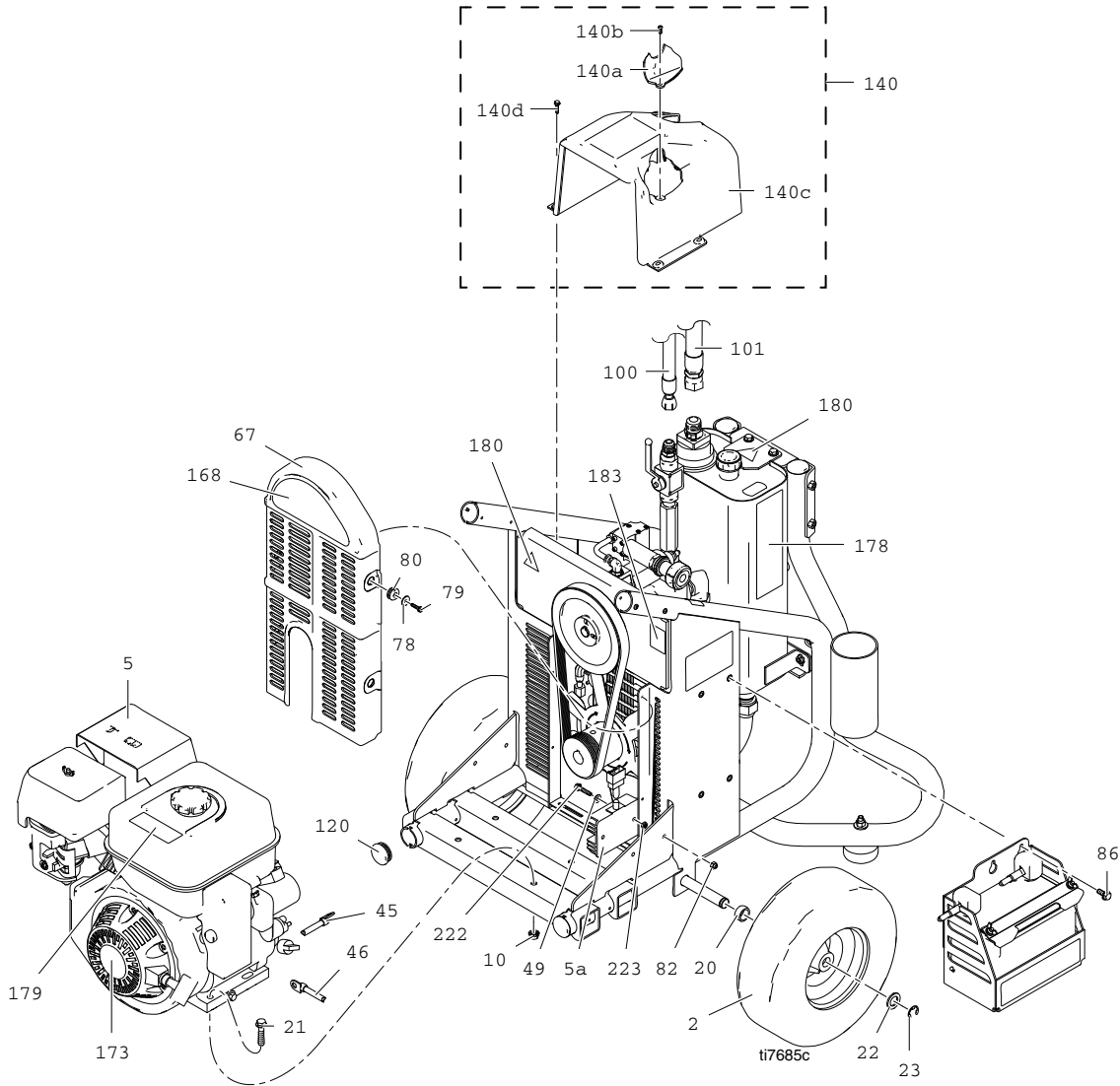
Parts - Frame

**Parts List - Frame**

Ref.	Part	Description	Qty	Ref.	Part	Description	Qty
1	15G839	FRAME, GH833, painted	1	137	15G813	HOSE, coupled	1
2	119509	WHEEL, pneumatic	2	138	241920	DEFLECTOR, threaded	1
20	15G547	SPACER, axel	2	143	109032	SCREW, mach, pnh	4
22	154628	WASHER	2	144	112827	BUTTON, snap	2
23	120211	RING, retaining, e-ring	2	145	108068	PIN, spring straight	2
25	287797	KIT, handle, includes 92, 143, 144, 145, 146	1	146	116891	WASHER	2
32	120068	FITTING, hydraulic	1	147		KIT, suction hose, includes 148	1
68	801504	FOOT, rubber	1	147a	287916	standard, non-slvst res	1
69	100454	SCREW, cap hex hd	2	147b	287915	slvt rest, optional	1
70	100132	WASHER, flat	2	147c	287936	2-inch, non-slvst	1
71	101566	NUT, lock	4	148	237840	STRAINER	1
72	287925	COOLER, oil	2	153	15G541	TUBE, J suction	1
77	15H480	BAR, support	1	154	101818	CLAMP, hose	1
78	120339	WASHER, fender	1	171	15G879	LABEL, side, GH833	2
79	C20474	SCREW, self taping	4	166	222385	TAG, warning	1
84	110996	NUT, hex, flanged	6	▲172	15G906	LABEL, lift here	2
86	110963	SCREW, cap, flng hd	2	▲178	194317	LABEL, danger, English	1
89	120137	FILTER, suction	4	▲184	15F146	LABEL set	1
92	15G797	SLEEVE, handle, included in 25	1	199		KIT, gun and hose	1
95	237686	WIRE, ground assembly w/clam	1	❖199a	287850	silver, optional	1
102	124489	PLUG, pipe	2	199b	287851	flex, optional	1
115	245440	KIT, hose drain, includes 138	1	199c	287852	texture, hd, optional	1
116	206994	TSL, 8-oz	1				
120	120314	PLUG, tube	1	▲	<i>Replacement Danger and Warning labels, tags, and cards are available at no cost.</i>		
128	198542	CLIP, spring	2	❖	<i>Available with models 249617 and 253472 only.</i>		
129	287796	KIT, suction tube, includes 148	1				

Parts - Engine and Hoses

## Parts - Engine and Hoses



Parts - Engine and Hoses

## Parts List - Engine and Hoses

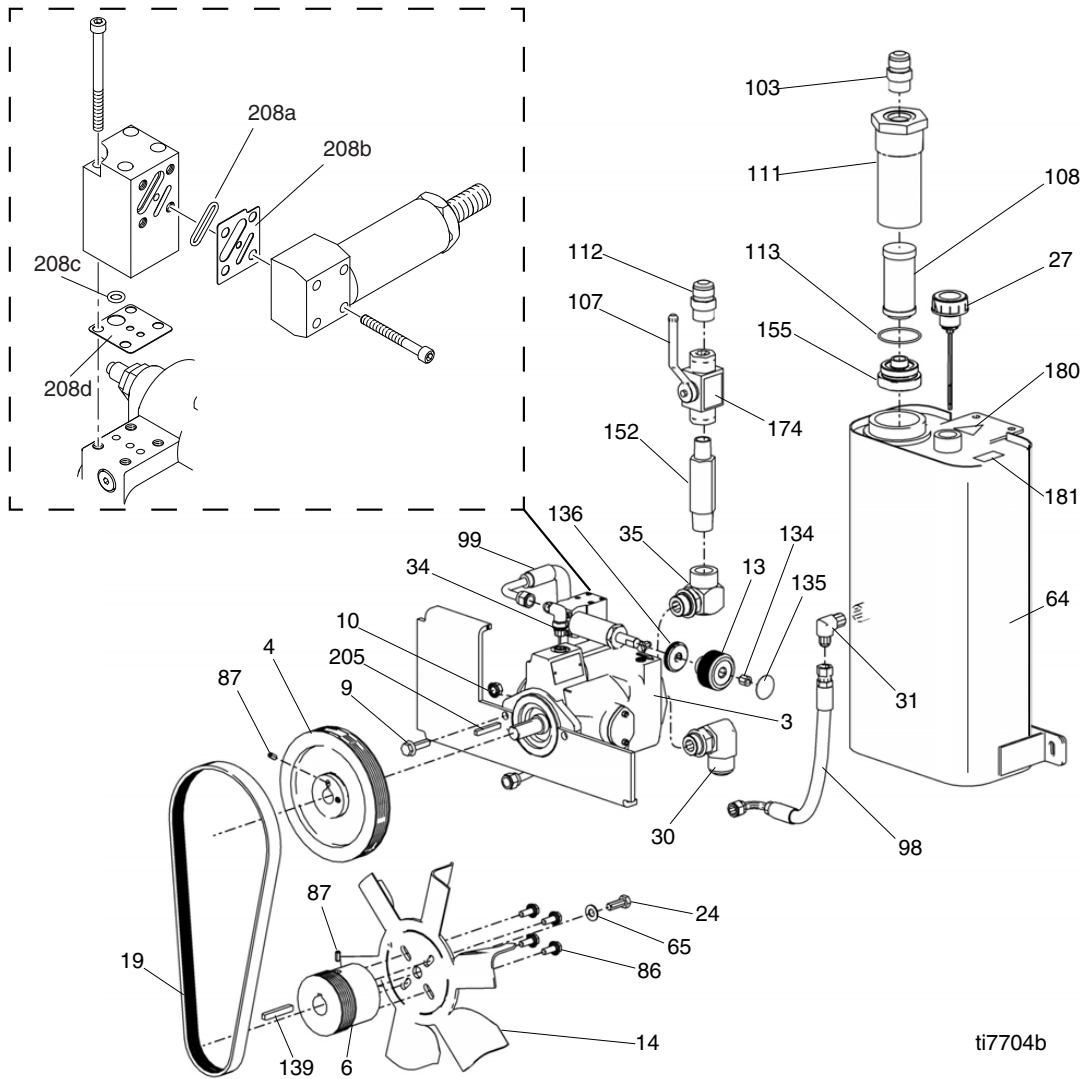
Ref.	Part	Description	Qty	Ref.	Part	Description	Qty
2	119509	WHEEL, pneumatic	2	101	15G783	HOSE, coupled	1
†5	114703	ENGINE, gas, 13 hp, Honda	1	120	120314	PLUG, tube	4
	16U399	ENGINE, gas, 13 hp, Honda, electric start	1	140	288098	KIT, cover, pump, includes 79	1
†5a		VOLTAGE REGULATOR (see Honda manual)	1	140a		COVER, pump, knob	1
10	112958	NUT	1	140b		SCREW, hi/lo, phlps, pwhd	1
20	15G547	SPACER, axle	2	140c		COVER, hydr pump	1
21	116780	SCREW, hex hd, flanged	4	140d		SCREW, self tapping	4
22	154628	WASHER	2	168	15G876	LABEL, back, GH833	1
23	120211	RING, retaining, e-ring	2	†171	16U578	LABEL, side, top, GH833	1
†45	113951	CABLE, electric, neg	1	173	15G907	LABEL, Honda GX390 13 hp	1
†46	107073	CABLE, electric, positive	1	▲178	15D523	LABEL, warning, EN/FR/ES	1
†49	110755	WASHER	2	▲179	194126	LABEL, warning	1
67	288099	KIT, cover, pulley fan, includes 78, 79, 80	1	▲180	189285	LABEL, caution	1
78	120339	WASHER, fender	4	▲183	198492	LABEL, warning	1
80	120415	GROMMET	4	†222	120444	SCREW	2
†82	102040	WASHER, lock	2	†223	101345	NUT	2
†86	110963	SCREW, cap, flange head	12				
100	15G781	HOSE, coupled	1				

▲ Replacement Danger and Warning labels, tags, and cards are available at no cost.

† Used on models 16U287, 16U288, 16V258, 16V260 only.

Parts - Engine, Hydraulic Pump & Reservoir

## Parts - Engine, Hydraulic Pump & Reservoir



ti7704b

Parts - Engine, Hydraulic Pump & Reservoir

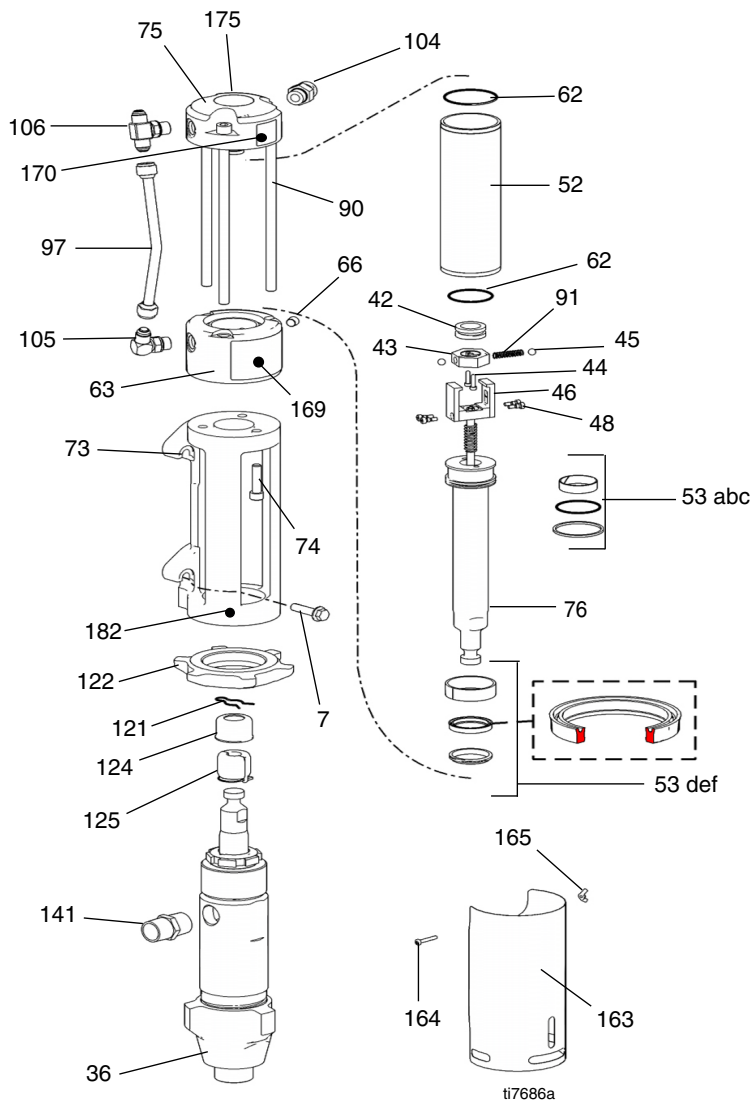
## Parts List - Engine, Hydraulic Pump & Reservoir

Ref.	Part	Description	Qty	Ref.	Part	Description	Qty
3	288105	KIT, pump, hydraulic, includes 9, 10, 13, 134, 135, 136	1	108	287871	KIT, hydraulic oil filter, includes 113	1
4	15G812	PULLEY, pump	1	111	15H246	HOUSING, filter	1
6	15G811	PULLEY, drive, engine	1	112	120304	FITTING, nipple	1
9	111193	SCREW, cap, flang hd	2	113	120315	O-RING	1
10	112958	NUT, hex, flanged	2	134	117560	SCREW, set, socket hd	1
13	15B438	KNOB, pressure	1	135	15A464	LABEL, control	1
14	119971	FAN	1	136	15G767	COLLAR, locking, pressure knob	1
19	120172	BELT, poly-V	11	139	801137	KEY, engine pulley	1
24	116596	SCREW, cap, hex, hd	1	152	120175	FITTING, ball valve	1
27	116915	CAP, breather/fill	1	155	15H247	CAP, filter housing	1
30	120066	FITTING, elbow, hydraulic	1	174	15G908	LABEL, hdry lever ON/OFF	1
31	120064	FITTING, elbow, hydraulic	1	▲180	189285	LABEL, caution	1
34	116793	FITTING, elbow, hydraulic	1	181	198585	LABEL, hydraulic fluid	1
35	120067	FITTING, elbow, hydraulic	1	205	183401	KEY, pump pulley	1
64	15G545	RESERVOIR, painted	1	208	287100	KIT, seal, compensator (includes 208a, 208b, 208c, 208d)	1
65	100731	WASHER	1	208a		O-RING, oval	1
86	110963	SCREW, cap, flng hd	4	208b		GASKET, comp/block	1
87	100002	SCREW, set, sch	3	208c		O-RING	1
98	15G784	HOSE, coupled	1	208d		GASKET, block/cover	1
99	15G782	HOSE, coupled	1				
103	120063	FITTING,	1				
107	120140	VALVE, ball	1				

▲ Replacement Danger and Warning labels, tags, and cards are available at no cost.

Parts - Pump Stackup & Hydraulic Motor

## Parts - Pump Stackup & Hydraulic Motor



Parts - Pump Stackup & Hydraulic Motor

**Parts List - Pump Stackup & Hydraulic Motor**

Ref.	Part	Description	Qty	Ref.	Part	Description	Qty
7*	120226	SCREW, hex hd, flange	4	76*	287868	PISTON, hydraulic	1
36	287834	KIT, pump, displacement, includes 141 Manual 311485	1	90*	120138	SCREW, cap, socket head	3
42	15G501	SLEEVE, valve, hydr, motor	1	91	120146	SPRING, compression	1
43	15G503	STOP, valve, hydraulic motor	1	97	287841	TUBE	1
44	15D256	SCREW, cap, sch	2	104*	120065	FITTING, hydraulic	1
45	101947	BALL, bearing	2	105*	117607	FITTING, elbow std thd	1
46	15G270	YOKE, arm, hydraulic motor	2	106*	117609	FITTING, tee, branch, str thd	1
48	105270	SCREW, shoulder, sch	4	121*	116407	CLIP, hairpin	1
52*	287869	CYLINDER, hydraulic motor	1	122	15G204	NUT, retaining	1
53	287870	KIT, repair, packing, hydraulic, includes 62	1	124	197340	COVER, coupler	1
53a		BEARING, piston		125*	244819	COUPLING, assembly	1
53b		O-RING, piston		141	15H335	FITTING, nipple, 1 in. npt,	1
53c		SEAL, piston, hydraulic motor		169▲	15G877	LABEL, front	1
53d*		SEAL, rod		170▲*	15G878	LABEL, Graco logo	1
53e*		BEARING, rod		175▲*	15B063	LABEL, included with 75	1
53f*		WIPER, rod		163‡	15H201	SHIELD, pump	1
62*	116084	PACKING, o-ring	2	164‡	111235	SCREW, mach, pnh	1
63*	15G559	HOUSING, hydraulic motor, lower	1	165‡	120317	NUT, wing	1
66*	101970	PLUG, pipe	1	182▲	192840	LABEL, warning	1
73*	15G639	ADAPTER, hydraulic motor/pump	1				
74*	120202	SCREW, cap sch	3				
75	288061	CAP, hydraulic head, includes 175	1				

▲ Replacement Danger and Warning labels, tags, and cards are available at no cost.

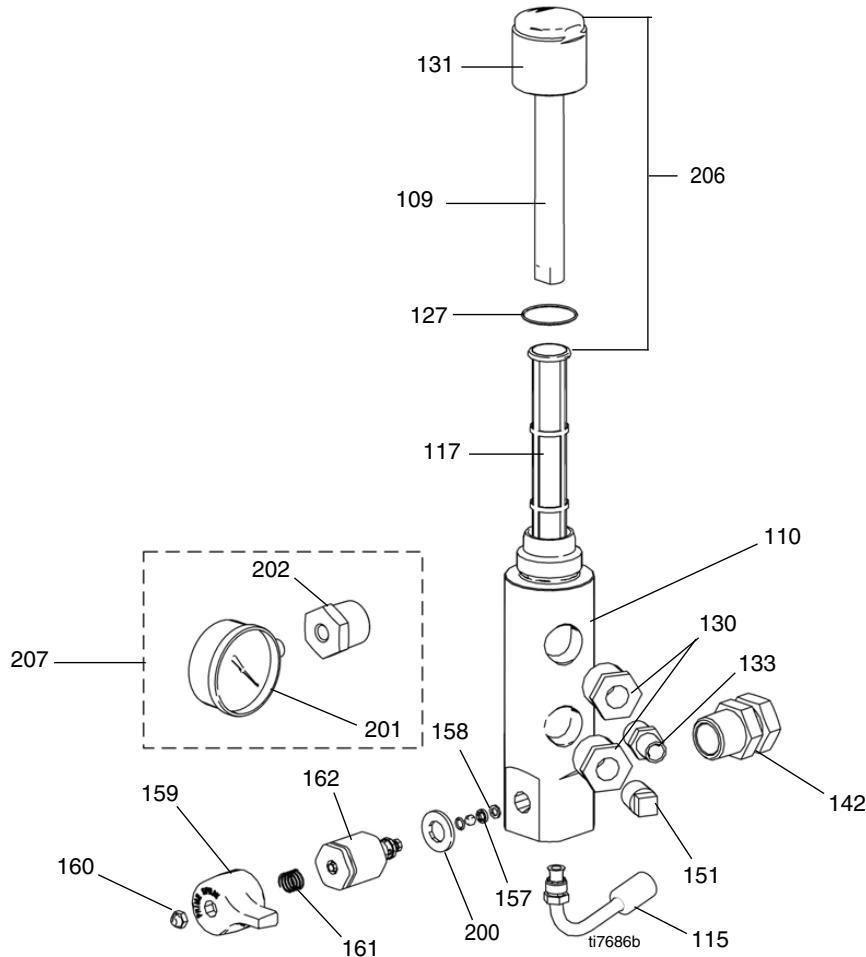
‡ Use on models 253471, 253472, 16V258, and 16V260 only.

\* Included in Hydraulic Motor Kit 24Y566



Parts - Filter

## Parts - Filter



## Parts List - Filter

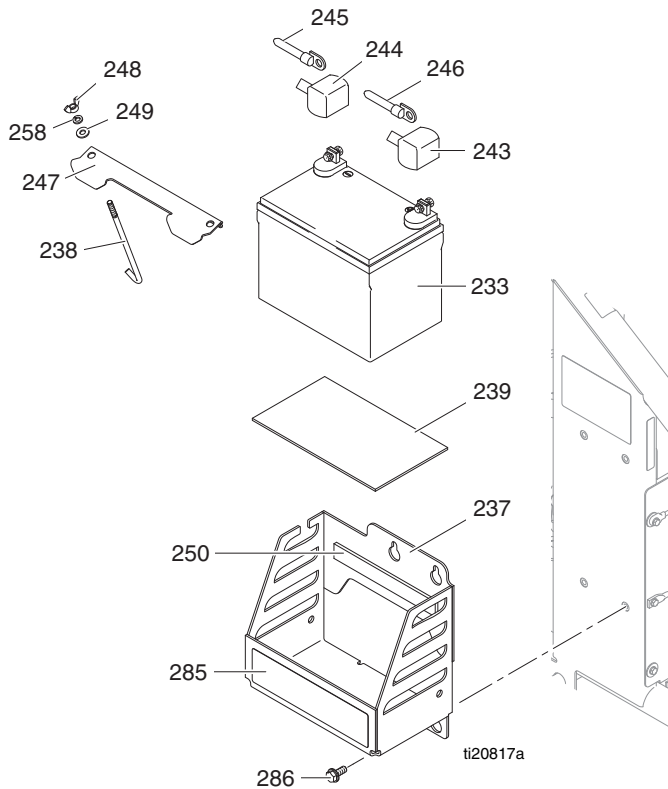
Ref.	Part	Description	Qty	Ref.	Part	Description	Qty
109	15C766	TUBE, diffusion	1	160	116424	NUT, cap	1
110	15G649	BASE, filter	1	161	114708	SPRING, compression	1
115	245440	KIT, hose, drain	1	162	245103	KIT, valve, drain, includes 157, 158, 159, 160, 161, 162, 200	1
117	244067	FILTER, fluid	1	200	114797	GASKET	1
127	117285	PACKING, o-ring	1	201	102814	GAUGE	1
130	124488	BUSHING, pipe	2	202	119969	FITTING, reducer	1
131	15C765	CAP, filter	1	206	287285	KIT, cap filter, includes 109, 127, 131	1
133	16F255	FITTING, nipple, rdcg	1	‡207	288097	KIT, gauge kit, includes 201, 202	1
142	287968	FITTING, union, adapter	1				
151	124489	PLUG, pipe	1				
157	193709	SEAT, valve	1				
158	193710	SEAL, seat, valve	1				
159	15G563	HANDLE, valve	1				

‡ Use on models 253471 and 253472 only.

Battery (Models 16U287, 16U288, 16V258, and 16V260 Only)

## Battery

(Models 16U287, 16U288, 16V258, and 16V260 Only)



### Parts List

Ref.	Part	Description	Qty	Ref.	Part	Description	Qty
233	115753	BATTERY, 33 AH, sealed	1	247	107069	CLAMP, battery	1
237	16U412	TRAY, battery, gh-es, painted	1	248	100011	NUT, wing	2
238	107068	HOOK, bolt	2	249	110755	WASHER, plain	2
239	801972	PAD, battery	1	250	15F366	PAD, foam	1
243	801958	PROTECTOR, terminal, red	1	258	100016	WASHER, lock	2
244	801959	TERMINAL, protector, black	1	285	16U559	LABEL, brand, es, side	1
245	113951	CABLE, electric, neg (black)	1	286	110963	SCREW, cap, flange head	12
246	107073	CABLE, electric, positive (red)	1				