

# GMAX™ II 3900/5900/7900 TexSpray™ 5900HD/7900HD Airless Sprayers

310893P  
ENG

Korean patent: 10-0647761



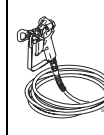
**- For Portable Airless Spraying of Architectural Coatings and Paints -**

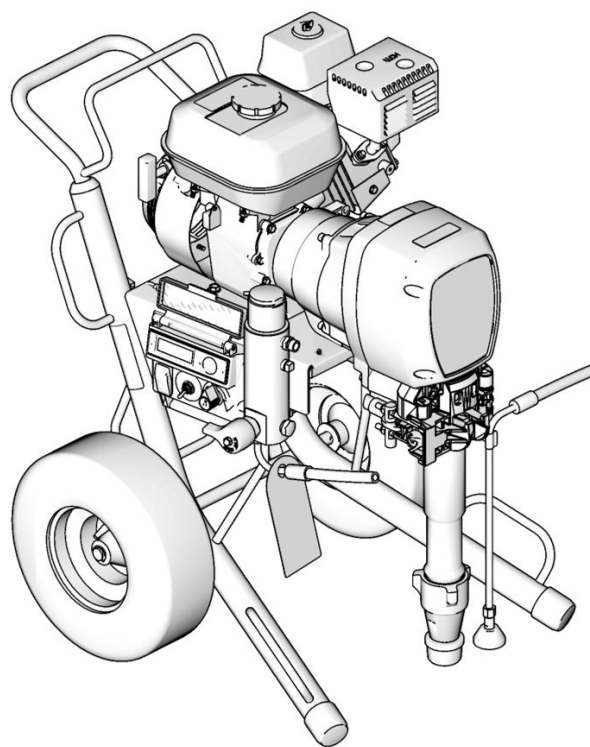
3300 psi (22.8 MPa, 228 bar) Maximum Working Pressure



### Important Safety Instructions

Read all warnings and instructions in this manual. Save these instructions.

|                        |  |  |  |
|------------------------|---|---|---|
| <b>GMAX II 3900</b>    |   |   |   |
| 248683                 |   | ✓   | ✓   |
| 248684                 | ✓   |   | ✓   |
| 248685                 |   | ✓   | ✓   |
| 248686                 | ✓   |   | ✓   |
| 249335                 | ✓   |   | ✓   |
| <b>GMAX II 5900</b>    |   |   |   |
| 248687                 |   | ✓   | ✓   |
| 248688                 | ✓   |   | ✓   |
| 248689                 |   | ✓   | ✓   |
| 248690                 | ✓   |   | ✓   |
| 249336                 | ✓   |   | ✓   |
| <b>TexSpray 5900HD</b> |   |   |   |
| 248699                 | ✓   |   | ✓   |
| <b>GMAX II 7900</b>    |   |   |   |
| 248700                 |   | ✓   | ✓   |
| 248701                 | ✓   |   | ✓   |
| 248702                 |   | ✓   | ✓   |
| 248703                 | ✓   |   | ✓   |
| 249337                 | ✓   |   | ✓   |
| <b>TexSpray 7900HD</b> |   |   |   |
| 255632                 | ✓   |   | ✓   |



### Related Manuals



310892



311861  
308491



310894



309640




# Contents

**WARNING** ..... 3  
**Maintenance** ..... 5  
**Troubleshooting** ..... 6  
**Repair** ..... 8  
**Bearing Housing & Connecting Rod** ..... 8  
**Drive Housing** ..... 9  
**Pinion Assembly/Clutch Armature/Clamp** ..... 10  
**Clutch Housing** ..... 12  
**Engine** ..... 12  
**Pump ON/OFF Switch** ..... 13  
**Pressure Control** ..... 14  
**Displacement Pump** ..... 16

**Parts** ..... 20  
**GMAX II 3900 Parts Drawing** ..... 20  
**GMAX II 5900/5900HD Parts Drawing** ..... 22  
**GMAX II 7900/TexSpray 7900HD Parts Drawing** .. 24  
**Parts Drawing and List - Pinion Housing** ..... 26  
**Lo-Boy Suction Set** ..... 27  
**Pressure Control and Filter Parts Drawing** ..... 28  
**Parts - Sprayers, RAC X<sup>®</sup> Tip, Gun & Hose** ..... 30  
**Technical Data** ..... 31  
**Dimensions** ..... 31  
**Graco Standard Warranty** ..... 32

# Manual Conventions

**WARNING**



Hazard Symbol


**WARNING:** a potentially hazardous situation which, if not avoided, could result in death or serious injury.

Warnings in the instructions usually include a symbol indicating the hazard. Read the general **Warnings** section for additional safety information.

**CAUTION**






**CAUTION:** a potentially hazardous situation which, if not avoided, may result in property damage or destruction of equipment.










## Note

 Additional helpful information.

## Warning


The following are general warnings related to the setup, use, maintenance and repair of this equipment. Additional, more specific, warnings may be found throughout the text of this manual, where applicable.

|  <b>WARNING</b> |   |
|--|---|
|                 | <p><b>FIRE AND EXPLOSION HAZARD</b></p> <p>Flammable fumes, such as solvent and paint fumes, in <b>work area</b> can ignite or explode. To help prevent fire and explosion:</p> <ul style="list-style-type: none"> <li>• Use equipment only in well ventilated area.</li> <li>• Do not fill fuel tank while engine is running or hot; shut off engine and let it cool. Fuel is flammable and can ignite or explode if spilled on hot surface.</li> <li>• When flammable liquid is sprayed or used for flushing or cleaning, keep sprayer at least 20 feet (6 m) away from explosive vapors.</li> <li>• Eliminate all ignition sources; such as pilot lights, cigarettes, portable electric lamps, and plastic drop cloths (potential static arc).</li> <li>• Keep work area free of debris, including solvent, rags and gasoline.</li> <li>• Do not plug or unplug power cords, or turn power or light switches on or off when flammable fumes are present.</li> <li>• Ground equipment and conductive objects in work area. See <b>Grounding</b> instructions.</li> <li>• Use only grounded hoses.</li> <li>• Hold gun firmly to side of grounded pail when triggering into pail.</li> <li>• If there is static sparking or you feel a shock, <b>stop operation immediately</b>. Do not use equipment until you identify and correct the problem.</li> </ul> |
|               | <p><b>SKIN INJECTION HAZARD</b></p> <p>High-pressure fluid from gun, hose leaks, or ruptured components will pierce skin. This may look like just a cut, but it is a serious injury that can result in amputation. <b>Get immediate surgical treatment.</b></p> <ul style="list-style-type: none"> <li>• Do not point gun at anyone or at any part of the body.</li> <li>• Do not put your hand over the spray tip.</li> <li>• Do not stop or deflect leaks with your hand, body, glove, or rag.</li> <li>• Do not spray without tip guard and trigger guard installed.</li> <li>• Engage trigger lock when not spraying.</li> <li>• Follow <b>Pressure Relief Procedure</b> in this manual, when you stop spraying and before cleaning, checking, or servicing equipment.</li> </ul>   |
|               | <p><b>PRESSURIZED EQUIPMENT HAZARD</b></p> <p>Fluid from the gun/dispense valve, leaks, or ruptured components can splash in the eyes or on skin and cause serious injury.</p> <ul style="list-style-type: none"> <li>• Follow <b>Pressure Relief Procedure</b> in this manual, when you stop spraying and before cleaning, checking, or servicing equipment.</li> <li>• Tighten all fluid connections before operating the equipment.</li> <li>• Check hoses, tubes, and couplings daily. Replace worn or damaged parts immediately.</li> </ul>  |
|               | <p><b>MOVING PARTS HAZARD</b></p> <p>Moving parts can pinch or amputate fingers and other body parts.</p> <ul style="list-style-type: none"> <li>• Keep clear of moving parts.</li> <li>• Do not operate equipment with protective guards or covers removed.</li> <li>• Pressurized equipment can start without warning. Before checking, moving, or servicing equipment, follow the <b>Pressure Relief Procedure</b> in this manual. Disconnect power or air supply.</li> </ul>  |

|  <b>WARNING</b> |  |
|--|--|
|                 | <p><b>EQUIPMENT MISUSE HAZARD</b></p> <p>Misuse can cause death or serious injury.</p> <ul style="list-style-type: none"> <li>• Do not exceed the maximum working pressure or temperature rating of the lowest rated system component. See <b>Technical Data</b> in all equipment manuals.</li> <li>• Use fluids and solvents that are compatible with equipment wetted parts. See <b>Technical Data</b> in all equipment manuals. Read fluid and solvent manufacturer's warnings.</li> <li>• Check equipment daily. Repair or replace worn or damaged parts immediately.</li> <li>• Do not alter or modify equipment.</li> <li>• Do not install a shut-off device between filter outlet and gun.</li> <li>• Use equipment only for its intended purpose. Call your Graco distributor for information.</li> <li>• Route hoses and cables away from traffic areas, sharp edges, moving parts, and hot surfaces.</li> <li>• Do not use hoses to pull equipment.</li> <li>• Keep children and animals away from work area.</li> <li>• Comply with all applicable safety regulations.</li> </ul> |
|                 | <p><b>PRESSURIZED ALUMINUM PARTS HAZARD</b></p> <p>Do not use 1,1,1-trichloroethane, methylene chloride, other halogenated hydrocarbon solvents or fluids containing such solvents in pressurized aluminum equipment. Such use can cause serious chemical reaction and equipment rupture, and result in death, serious injury, and property damage.</p>  |
|                 | <p><b>SUCTION HAZARD</b></p> <p>Never place hands near the pump fluid inlet when pump is operating or pressurized. Powerful suction could cause serious injury.</p>  |
|               | <p><b>CARBON MONOXIDE HAZARD</b></p> <p>Exhaust contains poisonous carbon monoxide, which is colorless and odorless. Breathing carbon monoxide can cause death. Do not operate in an enclosed area.</p>  |
|               | <p><b>TOXIC FLUID OR FUMES HAZARD</b></p> <p>Toxic fluids or fumes can cause serious injury or death if splashed in the eyes or on skin, inhaled, or swallowed.</p> <ul style="list-style-type: none"> <li>• Read MSDS's to know the specific hazards of the fluids you are using.</li> <li>• Store hazardous fluid in approved containers, and dispose of it according to applicable guidelines.</li> </ul>   |
|               | <p><b>BURN HAZARD</b></p> <p>Equipment surfaces and fluid that's heated can become very hot during operation. To avoid severe burns, do not touch hot fluid or equipment. Wait until equipment/fluid has cooled completely.</p>  |
|               | <p><b>PERSONAL PROTECTIVE EQUIPMENT</b></p> <p>You must wear appropriate protective equipment when operating, servicing, or when in the operating area of the equipment to help protect you from serious injury, including eye injury, inhalation of toxic fumes, burns, and hearing loss. This equipment includes but is not limited to:</p> <ul style="list-style-type: none"> <li>• Protective eyewear</li> <li>• Clothing and respirator as recommended by the fluid and solvent manufacturer</li> <li>• Gloves</li> <li>• Hearing protection</li> </ul>   |
|               | <p><b>RECOIL HAZARD</b></p> <p>Brace yourself; gun may recoil when triggered and cause you to fall, which could cause serious injury.</p>  |

# Maintenance

## Pressure Relief Procedure

|  |
|--|
| <p><b>⚠ WARNING</b></p> <div style="display: flex; justify-content: space-around; align-items: center;">    </div> <p>Read Injection Hazard, page 3; Burn Hazard, page 4.</p> |
|--|

1. Lock gun trigger safety.
2. Turn engine ON/OFF switch to OFF.
3. Move pump switch to OFF and turn pressure control knob fully counterclockwise.
4. Unlock trigger safety. Hold metal part of gun firmly to side of grounded metal pail, and trigger gun to relieve pressure.
5. Lock gun trigger safety.
6. Open pressure drain valve. Leave valve open until ready to spray again.

*If you suspect that the spray tip or hose is completely clogged, or that pressure has not been fully relieved after following the steps above, VERY SLOWLY loosen tip guard retaining nut or hose end coupling to relieve pressure gradually, then loosen completely. Now clear tip or hose.*

|   |
|---|
| <b>CAUTION</b>  |
| For detailed engine maintenance and specifications, refer to separate Honda Engines Owner's Manual, supplied. |

**DAILY:** Check engine oil level and fill as necessary.

**DAILY:** Check hose for wear and damage.

**DAILY:** Check that all hose fittings are secure.

**DAILY:** Check gun safety for proper operation.

**DAILY:** Check pressure drain valve for proper operation.

**DAILY:** Check and fill the gas tank.

**DAILY:** Check level of TSL in displacement pump packing nut. Fill nut, if necessary. Keep TSL in nut to help prevent fluid buildup on piston rod and premature wear of packings and pump corrosion.

### AFTER THE FIRST 20 HOURS OF OPERATION:

Drain engine oil and refill with clean oil. Reference Honda Engines Owner's Manual for correct oil viscosity.

**WEEKLY:** Remove engine air filter cover and clean element. Replace element, if necessary. If operating in an unusually dusty environment: check filter daily and replace, if necessary.

Replacement elements can be purchased from your local HONDA dealer.

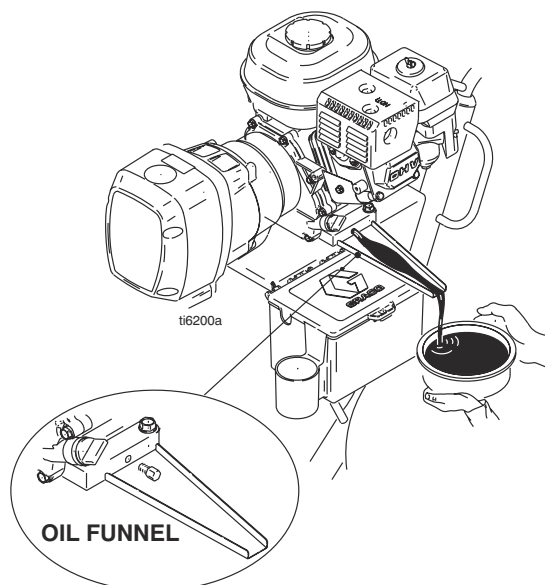
### AFTER EACH 100 HOURS OF OPERATION:

Change engine oil. Reference Honda Engines Owner's Manual for correct oil viscosity.

**SPARK PLUG:** Use only BPR6ES (NGK) or W20EPR-U (NIPPONDENSO) plug. Gap plug to 0.028 to 0.031 in. (0.7 to 0.8 mm). Use spark plug wrench when installing and removing plug.

### Premium Sprayers Engine Oil Funnel:

Use the supplied engine oil funnel when draining oil.



# Troubleshooting

| Problem  | Cause  | Solution  |
|--|--|---|
| <b>E=XX</b> is displayed   | Fault condition exists   | Determine fault correction from table, page 15  |
| Engine will not start  | Engine switch is OFF   | Turn engine switch ON   |
|  | Engine is out of gasoline  | Refill gas tank. Honda Engines Owner's Manual.  |
|  | Engine oil level is low  | Try to start engine. Replenish oil, if necessary. Honda Engines Owner's Manual.   |
|  | Spark plug is disconnected or damaged  | Connect spark plug cable or replace spark plug  |
|  | Cold engine  | Use choke   |
|  | Fuel shutoff lever is OFF  | Move lever to ON position   |
|  | Oil is seeping into combustion chamber   | Remove spark plug. Pull starter 3 to 4 times. Clean or replace spark plug. Start engine. Keep sprayer upright to avoid oil seepage  |
| False tripping of WatchDog system. <b>EMPTY</b> is displayed. Pump does not run. | Operating conditions out of WatchDog parameters<br>Pump output is low, page 7. | Turn pressure down. Contact Graco Technical Assistance to adjust WatchDog parameters. Operate without WatchDog active; Manual 310892.   |
| Engine operates, but displacement pump does not operate                          | Error code displayed   | Reference Pressure Control repair, page 15  |
|  | Pump switch is OFF   | Turn pump switch ON   |
|  | Pressure setting too low   | Turn pressure adjusting knob clockwise to increase pressure.  |
|  | Fluid filter (56) is dirty   | Clean filter. Page 28.  |
|  | Tip or tip filter is clogged   | Clean tip or tip filter. Manual 309639.   |
|  | Displacement pump piston rod is stuck due to dried paint                       | Repair pump. Manual 310894.   |
|  | Connecting rod is worn or damaged  | Replace connecting rod. Page 8.   |
|  | Drive housing is worn or damaged   | Replace drive housing. Page 9.  |
|  | Electrical power is not energizing clutch field                                | Check wiring connections. Page 12.<br><br>Reference <b>Digital Display Messages</b> . Page 15.<br><br>Reference wiring diagram. Page 29.<br><br>With pump switch ON and pressure turned to MAXIMUM, use a test light to check for power between clutch test points on control board.<br><br>Remove clutch wires from control board and measure resistance across clutch coil. At 70° F, the resistance must be between 1.2 +0.2Ω; if not, replace pinion housing.<br><br>Have pressure control checked by authorized Graco dealer |
|  | Clutch is worn, damaged, or incorrectly positioned                             | Adjust or replace clutch. Page 10.  |
| Pinion assembly is worn or damaged   | Repair or replace pinion assembly. Page 10.                                    |   |

| <b>Problem</b>                                  | <b>Cause</b>   | <b>Solution</b>  |
|---|--|--|
| Pump output is low                              | Strainer (82) is clogged   | Clean strainer.  |
|   | Piston ball is not seating   | Service piston ball. Manual 310894.  |
|   | Piston packings are worn or damaged  | Replace packings. Manual 310894.   |
|   | O-ring in pump is worn or damaged  | Replace o-ring. Manual 310894.   |
|   | Intake valve ball is not seating properly                                  | Clean intake valve. Manual 310894.   |
|   | Intake valve ball is packed with material                                  | Clean intake valve. Manual 310894.   |
|   | Engine speed is too low  | Increase throttle setting. Manual 310892.  |
|   | Clutch is worn or damaged  | Adjust or replace clutch. Page 10.   |
|   | Pressure setting is too low  | Increase pressure. Manual 310892.  |
|   | Fluid filter (56), tip filter or tip is clogged or dirty                   | Clean filter. Manual 310892 or 309639.   |
|   | Large pressure drop in hose with heavy materials                           | Use larger diameter hose and/or reduce overall length of hose. Use of more than 100 ft of 1/4 in. hose significantly reduces performance of sprayer. Use 3/8 in. hose for optimum performance (50 ft minimum). |
| Excessive paint leakage into throat packing nut | Throat packing nut is loose  | Remove throat packing nut spacer. Tighten throat packing nut just enough to stop leakage.  |
|   | Throat packings are worn or damaged  | Replace packings. Manual 310894.   |
|   | Displacement rod is worn or damaged  | Replace rod. Manual 310894.  |
| Fluid is spitting from gun                      | Air in pump or hose  | Check and tighten all fluid connections. Rep-<br>rime pump. Manual 310892.   |
|   | Tip is partially clogged   | Clear tip. Manual 309639.  |
|   | Fluid supply is low or empty   | Refill fluid supply. Prime pump. Manual 310892. Check fluid supply often to prevent running pump dry.  |
| Pump is difficult to prime                      | Air in pump or hose  | Check and tighten all fluid connections.<br><br>Reduce engine speed and cycle pump as slowly as possible during priming.   |
|   | Intake valve is leaking  | Clean intake valve. Be sure ball seat is not nicked or worn and that ball seats well. Reassemble valve.  |
|   | Pump packings are worn   | Replace pump packings. Manual 310894.  |
|   | Paint is too thick   | Thin the paint according to the supplier's recommendations   |
|   | Engine speed is too high   | Decrease throttle setting before priming pump. Manual 310892.  |
| Clutch squeaks each time clutch engages         | Clutch surfaces are not matched to each other when new and may cause noise | Clutch surfaces need to wear into each other. Noise will dissipate after a day of run time.  |
| High engine speed at no load                    | Misadjusted throttle setting   | Reset throttle to 3300 engine rpm at no load.  |
|   | Worn engine governor   | Replace or service engine governor   |
| Gallon counter not working                      | Bad sensor, broken or disconnected wire. Displaced or missing magnet.      | Check connections. Replace sensor or wire. Reposition or replace magnet.   |
| No display, sprayer operates                    | Display damaged or has bad connection                                      | Check connections. Replace display.  |

# Bearing Housing and Connecting Rod

**NOTE:** The item numbers referenced are for the 5900 Hi-Boy models. The 3900, 7900 and all Lo-Boy models may have different item numbers. Use the 5900 Hi-Boy item number and part to find the corresponding alternate part and item number.

## Removal

**WARNING**

Read Injection Hazard, page 3; Burn Hazard, page 4

1. Relieve pressure; page 5.
2. FIG. 1. Remove four screws (45) and front cover (44)
3. Remove pump. Refer to **Displacement Pump, Removal**, page 16.
4. Remove four screws (41) and washers (42) from bearing housing (40).
5. Pull connecting rod (43) and lightly tap lower rear of bearing housing with plastic mallet to loosen from drive housing (33). Pull bearing housing and connecting rod assembly off drive housing.
6. Inspect crank (B) and connecting rod (43) for excessive wear and replace parts as needed.

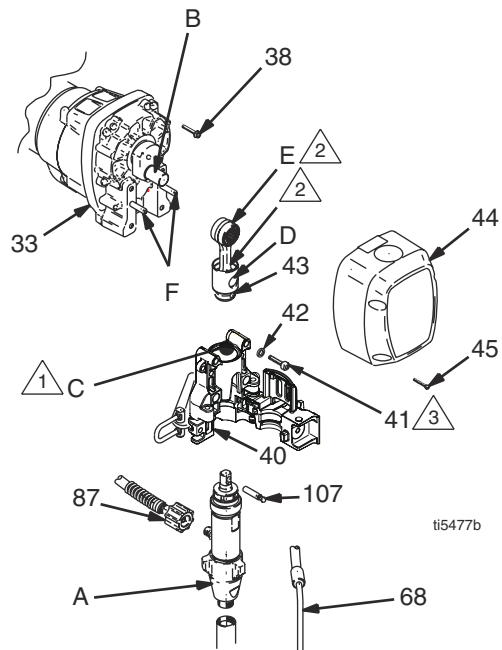
## Installation

1. Evenly lubricate inside of bronze bearing (C) in bearing housing (40) with high-quality motor oil. Liberally pack top roller bearing (E), lower bearing (D) inside connecting rod (43) with bearing grease.
2. Assemble connecting rod (43) to bearing housing (40). Rotate connecting rod to lowest position.
3. Clean mating surfaces of bearing and drive housings.
4. Align connecting rod with crank (B) and carefully align locating pins (F) in drive housing (33) with holes in bearing housing (40). Push bearing housing onto drive housing or tap into place with plastic mallet.

**CAUTION**

DO NOT use bearing housing screws (41) to align or seat bearing housing with drive housing. Align these parts with locating pins, to avoid premature bearing wear.

5. Install screws (41) and washers (42) in bearing housing.
6. Install pump. Refer to **Displacement Pump, Installation**, page 14.



- Oil
- Pack with bearing grease 114819
- GMAX II 3900: Torque to 200 in-lb (22.6 N.m)  
GMAX II 5900: Torque to 25 ft-lb (34 N.m)  
GMAX II 7900: Torque to 40 ft-lb (54 N.m)  
TexSpray 7900HD: Torque to 40 ft-lb (54 Nm)

**FIG. 1**



# Drive Housing

## Removal

**WARNING**



Read Injection Hazard, page 3; Burn Hazard, page 4

1. Relieve pressure; page 5.
2. Remove bearing housing. Refer to **Bearing Housing and Connecting Rod, Removal**, page 8.

**CAUTION**

Premium models: Gallon counter sensor is connected to control board in pressure control. Pulling on the sensor wires could cause damage.

3. Premium sprayers: Remove two screws (108) and gallon counter sensor (39).

**CAUTION**

Thrust washers may stick to grease inside of drive housing. Do not lose or misplace.

4. Remove six screws (38).
5. Lightly tap around drive housing (33) to loosen drive housing. Pull drive housing straight off pinion housing. Be prepared to support combination gear (32) which may also come out.

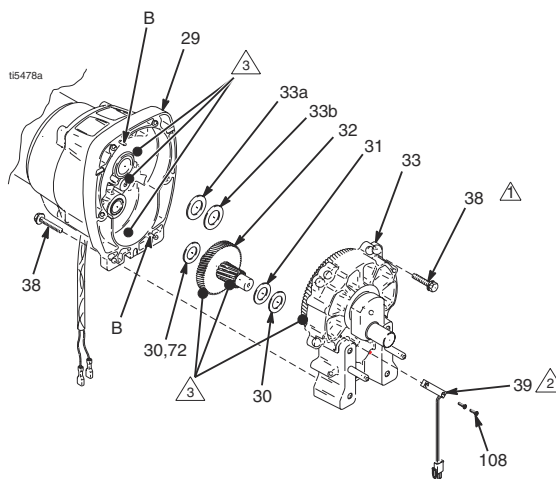
## Installation

1. FIG. 2. Apply all grease supplied with replacement gear cluster to gear teeth and to areas called out by note 3.
2. FIG. 3. Ensure thrust washers (30, 31; 5900/7900) (30, 31, 72; 3900) are on combination gear (32) and washers (Fig. 2; 33a, 33b) are on crankshaft of drive housing (33) as shown.
3. Clean mating surfaces of pinion and drive housings.
4. Align gears and push new drive housing straight onto pinion housing (29) and locating pins (B).
5. Install six screws (38).
6. Install gallon counter sensor (39) with two screws (108).
7. Install bearing housing. Refer to **Bearing Housing and Connecting Rod, Installation**, page 8.

**CAUTION**

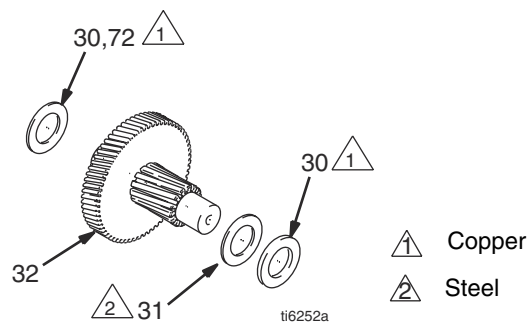
DO NOT use drive housing screws (38) to align or seat drive housing with pinion housing. Align these parts with locating pins, to avoid premature bearing wear.

8. Install screws (38) in drive housing. Torque evenly to note 3 value in FIG. 2.
9. Install pump. Refer to **Displacement Pump, Installation**, page 14.



- ⚠ GMAX II 3900: Torque to 140 ±10 in-lb (15.8 ±1.1 N.m)
- ⚠ GMAX II 5900: Torque to 200 ±10 in-lb (22.6 ±1.1 N.m)
- ⚠ GMAX II 7900: Torque to 200 ±10 in-lb (22.6 ±1.1 N.m)
- ⚠ Texspray 7900HD: Torque to 200 ±10 in-lb (22.6 ±1.1 N.m)
- ⚠ Gallon counter sensor
- ⚠ Pack with grease 114819

**FIG. 2**



**FIG. 3**

# Pinion Assembly/Clutch Armature/Clamp

## Pinion Assembly/Clutch Armature Removal

### Pinion Assembly

If pinion assembly (29) is not removed from clutch housing (19), do 1. through 3. Otherwise, start at 4.

**WARNING**




Read Injection Hazard, page 3; Burn Hazard, page 4

1. Remove drive housing; page 9.
2. FIG. 4. Disconnect clutch cable connectors from inside of pressure control.
  - a. FIG. 14. Remove two screws (71) and swing down cover (130a).
  - b. Disconnect engine leads from board to engine.
  - c. Remove strain reliefs 130r and 123.
3. FIG. 4. Remove four screws (36) and pinion assembly (29).

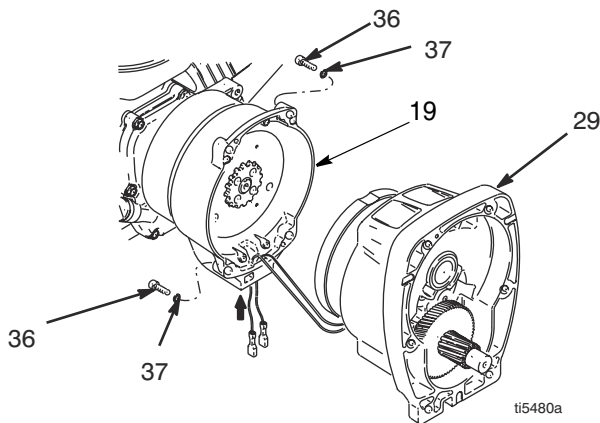


FIG. 4

4. FIG. 5. Place pinion assembly (29) on bench with rotor side up.
5. Remove four screws (28) and lock washers (24). Install two screws in threaded holes (E) in rotor. Alternately tighten screws until rotor comes off.

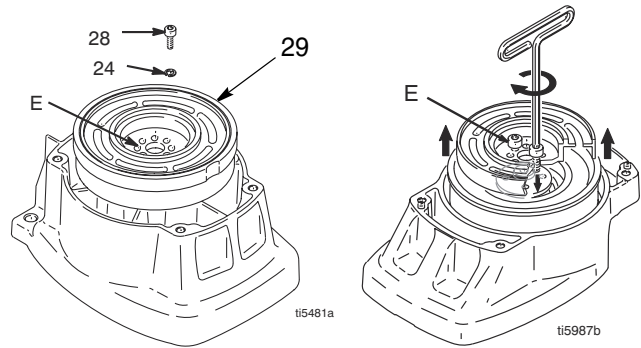


FIG. 5

6. FIG. 6. Remove retaining ring (29b).
7. Turn pinion assembly over and tap pinion shaft (29a) out with plastic mallet.

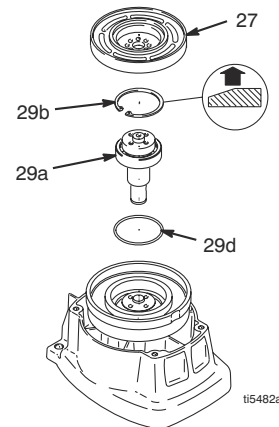


FIG. 6

### Clutch Armature

8. FIG. 7. Use an impact wrench or wedge something between clutch armature (25) and clutch housing to hold engine shaft during removal.
9. Remove four screws (23) and lock washers (24).
10. Remove armature.

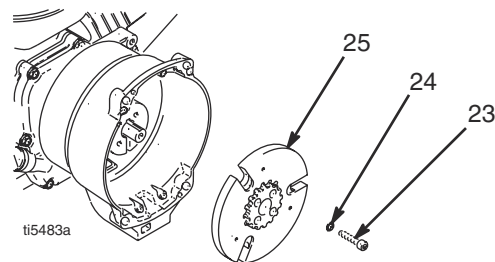


FIG. 7

## Installation

### Clutch Armature

- FIG. 8. Lay two stacks of two dimes on smooth bench surface.
- Lay armature (25) on two stacks of dimes.
- Press center of hub (26) down to bench surface.

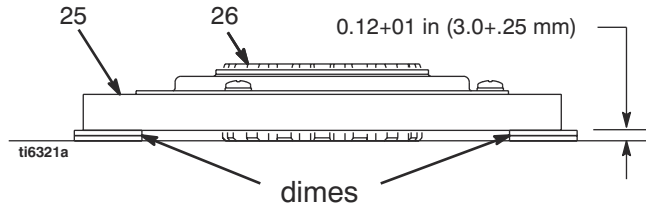


FIG. 8

### Clamp Removal

- Do **Engine Removal**.

**⚠ WARNING**

Gasoline can spill and cause a fire or explosion if engine is tipped on side.

- Drain gasoline from tank according to Honda manual.
- FIG. 9. Tip engine on side so gas tank is down and air cleaner is up.
- FIG. 10. Loosen two screws (24) on clamp (22),
- Push screwdriver into slot in clamp (22) and remove clamp.

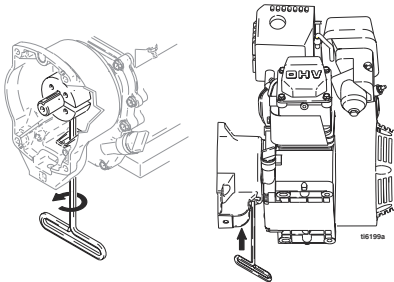


FIG. 9

### Clamp Installation

- FIG. 10. Install engine shaft key (18)
- Tap clamp (22) onto engine shaft (A). Maintain dimension shown note 2. Chamfer must face engine.
- Check dimension: Place rigid, straight steel bar (B) across face of clutch housing (19). Use accurate measuring device to measure distance between bar and face of clamp. Adjust clamp as necessary. Torque two screws (24) to 125 ±10 in-lb (14 ±1.1 N·m)

- Install armature (25) on engine drive shaft.
- Install four screws (23) and lock washers (24) with torque of 125 in-lb.

### Pinion Assembly

- FIG. 6. Check o-ring (29d) and replace if missing or damaged.
- Tap pinion shaft (29a) in with plastic mallet.
- Install retaining ring (29b) with beveled side facing up.
- FIG. 5. Place pinion assembly on bench with rotor side up.
- Apply thread sealant to screws. Install four screws (28) and lock washers (24). Alternately torque screws to 125 in-lb until rotor is secure. Use threaded holes to hold rotor.
- FIG. 4. Install pinion assembly (29) with four screws (36) and washers (37).
- FIG. 14. Connect clutch cable connectors to inside of pressure control.

⚠ Face of clutch housing

⚠ 1.550 ± .010 in. (39.37 ± .25 mm) - GMAX 3900  
2.612 ± .010 in. (66.34 ± .25 mm) - GMAX 5900 & 7900

⚠ Torque to 125 ±10 in-lb (14 ±1.1 N·m)

⚠ Chamfer this side

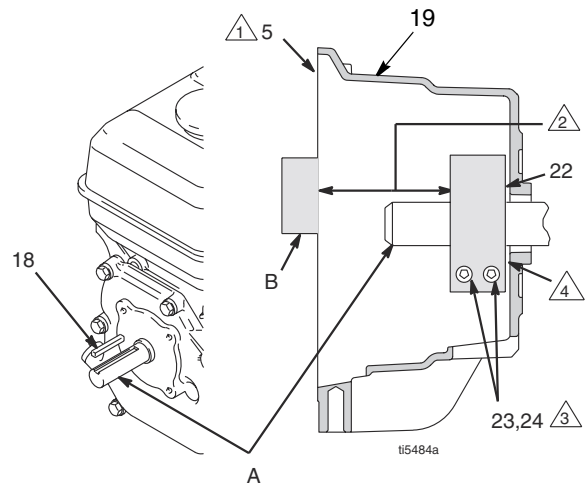
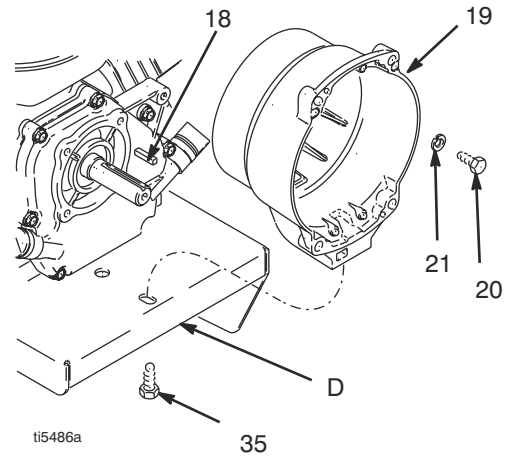


FIG. 10

# Clutch Housing

## Removal

1. FIG. 11. Remove four screws (20) and lock washers (21) which hold clutch housing (19) to engine.
2. Remove screw (35) from under mounting plate (D).
3. Pull off clutch housing (19).



## Installation

1. FIG. 11. Push on clutch housing (19).
2. Install four capscrews (20) and lock washers (21) and secure clutch housing (19) to engine. Torque to 200 in-lb (22.6 N·m).
3. Install screw (35) from beneath mounting plate (D). Torque to 26 ft-lb (35.2 N·m).

FIG. 11

# Engine

## Removal

**NOTE:** All service to the engine must be performed by an authorized HONDA dealer.

1. Remove **Pinion Assembly/Clutch Armature/Clamp** and **Clutch Housing**, as instructed on pages 9, 10 and 11.
2. FIG. 12. Disconnect all necessary wiring.
3. FIG. 13. Remove two locknuts (17) and screws (16) from base of engine.
4. Lift engine carefully and place on work bench.

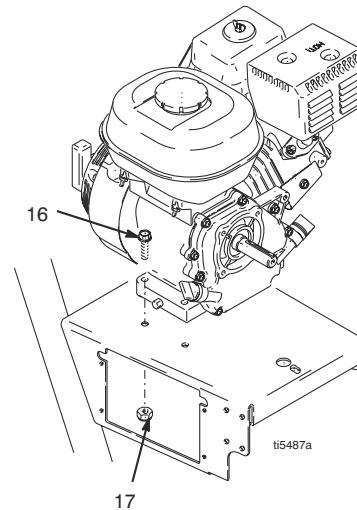


FIG. 13

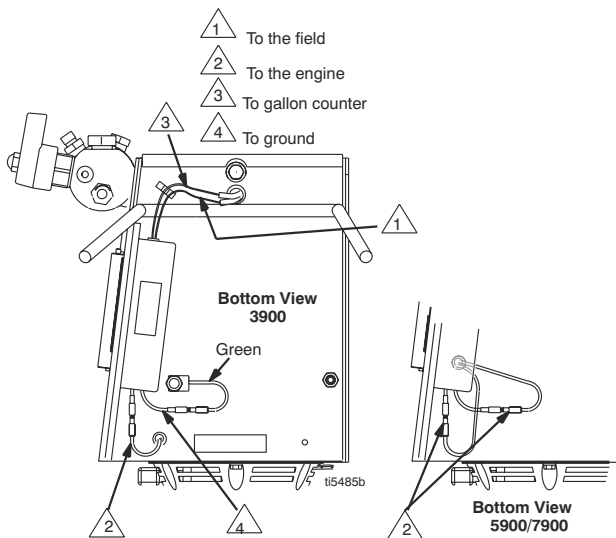


FIG. 12

## Installation

1. Lift engine carefully and place on cart.
2. FIG. 13. Install two screws (16) in base of engine and secure with locknuts (17). Torque to 26 ft-lb (22.6 N·m).
3. FIG. 12. Connect all necessary wiring.
4. Install **Pinion Assembly/Clutch Armature/Clamp** and **Clutch Housing**, as instructed on pages 9, 10 and 11.

# Pressure Control

## Pump ON/OFF Switch

### Removal

**WARNING**



Read Injection Hazard, page 3; Burn Hazard, page 4

1. FIG. 14. Remove two screws (71) and swing down cover (130a).
2. Disconnect pump ON/OFF switch (130f) connector from control board.
3. Press in on two retaining tabs on each side of pump ON/OFF switch (130f) and remove switch from cover.

### Installation

1. Install new pump ON/OFF switch (130f) so tabs of switch snap into place on inside of cover.
2. Connect pump ON/OFF switch connector to control board.
3. Swing up cover (130a) and secure with two screws (71).

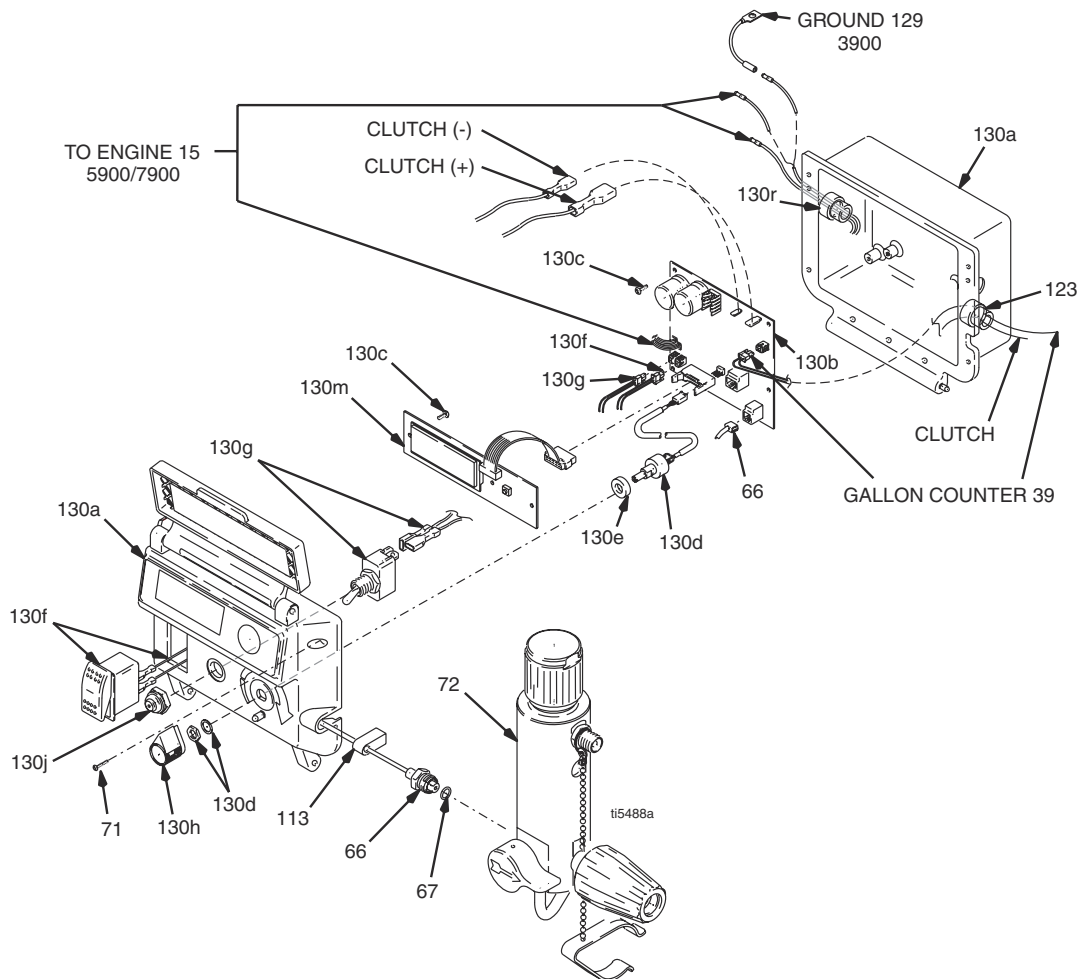


FIG. 14

## Control Board

### Removal



1. FIG. 14. Remove two screws (71) and swing down cover (130a)
2. Remove strain relief bushings (130r and 123).
3. Disconnect at control board (130b):
  - Lead from potentiometer (130d)
  - Lead from transducer (66)
  - Lead from WatchDog switch (130g)
  - Lead from pump ON/OFF switch (130f)
  - Lead from gallon counter sensor (39)

- Display connector (130m)
  - Engine, ground and clutch wires
4. Remove four screws (130c) and control board (130b).

### Installation

1. FIG. 14. Install control board (130b) with four screws (130c).
2. Connect engine wires to control board (130b).
3. Connect at control board (130b):
  - Ground and clutch wires
  - Display connector (130m)
  - Lead from gallon counter sensor (39)
  - Lead from pump ON/OFF switch (130f)
  - Lead from WatchDog switch (130g)
  - Lead from transducer (66)
  - Lead from potentiometer (130d)
4. Install new strain relief bushings (123 and 130r).
5. Swing up cover (130a) and secure with two screws (71).

## Pressure Control Transducer

### Removal



1. FIG. 14. Remove two screws (71) and swing down cover (130a)
2. Disconnect transducer (66) lead from control board (130b).
3. Pull transducer connector through rubber grommet (113).
4. Remove pressure control transducer (66) and o-ring (67) from filter housing (72).

### Installation

1. FIG. 14. Install o-ring (67) and pressure control transducer (66) in filter housing (72). Torque to 35 - 45 ft-lb.
2. Install transducer connector and rubber grommet in control housing.
3. Connect transducer (66) lead to control board (130b).
4. Swing up cover (130a) and secure with two screws (71).

## Pressure Adjust Potentiometer

### Removal



1. FIG. 14. Remove two screws (71) and swing down cover (130a)
2. Disconnect potentiometer (130d) lead from control board (130b).
3. Loosen set screws on potentiometer knob (130h) and remove knob, shaft nut, lock washer and potentiometer (130d).
4. Remove shaft spacer (130e) from potentiometer.

### Installation

1. Install shaft spacer (130e) on potentiometer (130d).
2. FIG. 14. Install potentiometer, shaft nut, lock washer and potentiometer knob (130h).
  - a. Turn potentiometer shaft clockwise to internal stop. Assemble potentiometer knob (130h) to strike pin on cover (130a).
  - b. After adjustment of step a., tighten both set screws in knob 1/4 to 3/8 turn after contact with shaft.
3. Connect potentiometer lead to control board (130b).
4. Swing up cover (130a) and secure with two screws (71).







## Digital Display Messages

**WARNING**




Relieve pressure before repair, page 5.

- Digital messages are not available on all sprayers
- Blinking LED total count equals digital error code i.e., two blinks is the same as E=02

| DISPLAY*   | SPRAYER OPERATION   | INDICATION   | ACTION  |
|--|---|--|---|
| No Display   | Sprayer may be pressurized  | Loss of power or display not connected                                     | Check power source. Relieve pressure before repair or disassembly. Verify display is connected.   |
| <br>ti6314a   | Sprayer may be pressurized  | Pressure less than 200 psi (14 bar, 1.4 MPa)                               | Increase pressure as needed   |
| <br>ti6315a   | Sprayer is pressurized. Power is applied. (Pressure varies with tip size and pressure control setting.) | Normal operation   | Spray   |
| <br>ti6316a   | Sprayer stops. Engine is running.   | Exceeded pressure limit  | <ol style="list-style-type: none"> <li>1. Check fluid path for clogs, such as clogged filter</li> <li>2. Open prime valve and gun if running AutoClean</li> <li>3. Use Graco paint hose, 1/4 in. x 50 ft minimum. Smaller hose or metal braid hose may result in pressure spikes.</li> <li>4. Replace transducer if fluid path is not clogged and proper hose is used.</li> </ol> |
| <br>ti6317a | Sprayer stops. Engine is running.   | Pressure transducer faulty, bad connection or broken wire                  | <ol style="list-style-type: none"> <li>1. Check transducer connection</li> <li>2. Disconnect and reconnect transducer plug to ensure good connection with control board socket</li> <li>3. Open prime valve. Replace sprayer transducer with known good transducer and run sprayer. Replace transducer if sprayer runs or control board if sprayer does not run.</li> </ol>       |
| <br>ti6318a | Sprayer stops. Engine is running.   | High clutch current  | <ol style="list-style-type: none"> <li>1. Check wiring connections.</li> <li>2. Measure: 1.2 +0.2Ω (GMAX II 3900); 1.7 +0.2Ω (GMAX II 5900/ 7900 &amp; TexSpray 7900HD) across clutch field at 70°F</li> <li>3. Replace clutch field assembly</li> </ol>  |
| EMPTY<br>(with constant green LED)   | Sprayer stops. Engine is running.   | Loss of paint to pump or severe pressure loss                              | <ol style="list-style-type: none"> <li>1. Check for empty paint condition, clogged inlet strainer, failed pump or severe leak</li> <li>2. Reduce pressure and turn pump switch OFF and ON to restart pump</li> <li>3. WatchDog function can be deactivated by turning WatchDog switch OFF</li> </ol>  |
| <br>ti6320a | Sprayer stops. Engine is running.   | Pressure greater than 2000 psi (138 bar, 14 MPa) while in Flush Timer Mode | <ol style="list-style-type: none"> <li>1. Open prime valve and gun</li> <li>2. Verify no flow obstructions or clogged filter</li> </ol>   |

\* Error codes also appear on control board as a blinking red LED. LED is an alternate to digital messages.

1. Remove two screws (71) and swing down cover (130).
2. Start engine. Blink count is the same as error code(E=0X).

After a fault, follow these steps to restart sprayer:





1. Correct fault condition
2. Turn sprayer OFF
3. Turn sprayer ON

# Displacement Pump

## Removal

1. Flush pump.
2. Stop pump with piston rod in its lowest position.

**WARNING**

Read Injection Hazard, page 3; Burn Hazard, page 4

3. Do Pressure Relief, page 5.
4. Separate drain hose from sprayer

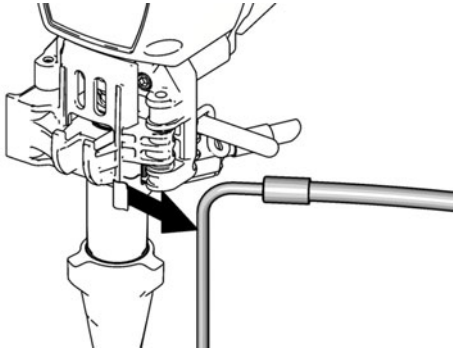


FIG. 15

5. Disconnect material hose from pump.

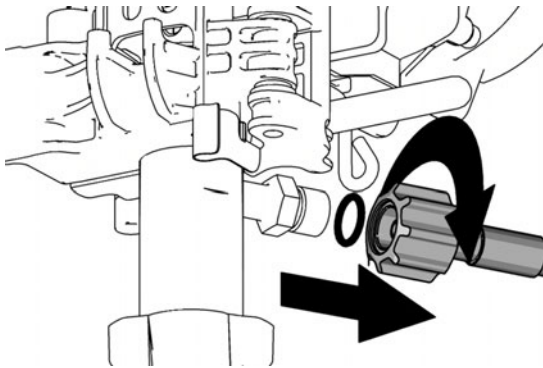


FIG. 16

6. Raise latch lock. Push latch open.

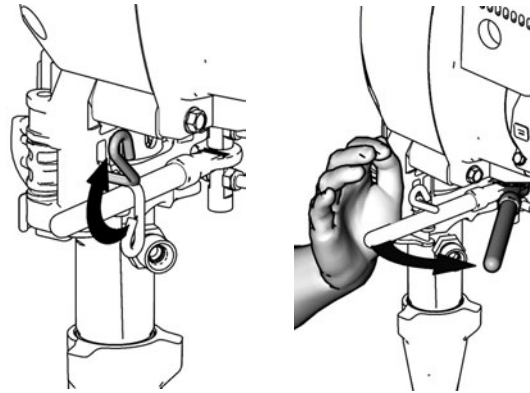


FIG. 17

7. FIG. 18. Ratchet open pump door.
  - a. Ratchet pump door forward.

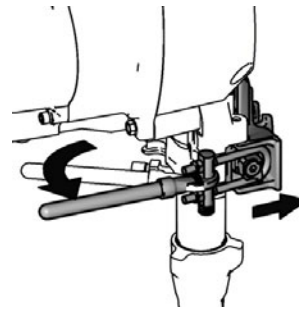


FIG. 18

- b. Twist latch u-bolt out of pump door recess.
- c. Place u-bolt on pump door outer edge.
- d. If pump door is stuck, do steps e., f. and 8., otherwise go to step 9.

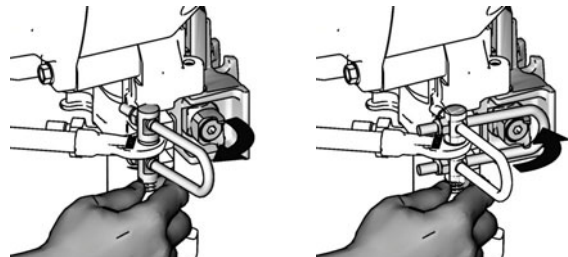


FIG. 19



- e. Twist latch u-bolt back from pump door outer edge
- f. Place u-bolt on pump door protrusion

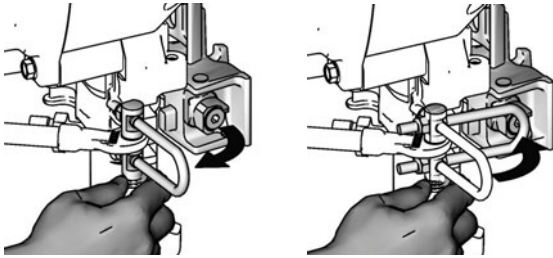


FIG. 20

- 8. Ratchet pump door forward.

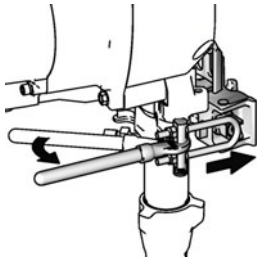


FIG. 21

- 9. Open pump door.

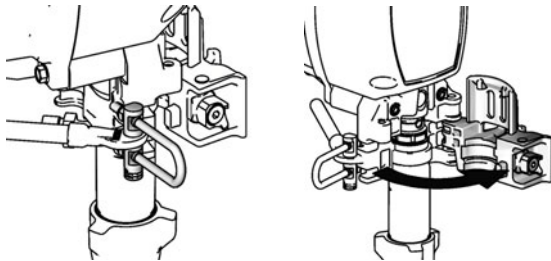


FIG. 22

- 10. FIG. 23. Pull out pump pin and place in pin holder

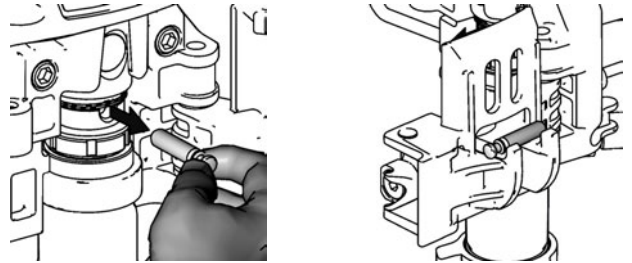


FIG. 23

## Installation

1. FIG. 24. Adjust piston rod with pin holder to pull out piston rod. Tap piston rod on hard surface to push in piston rod.
2. Push pump collar flush with bearing housing ledge to be able to close pump door.

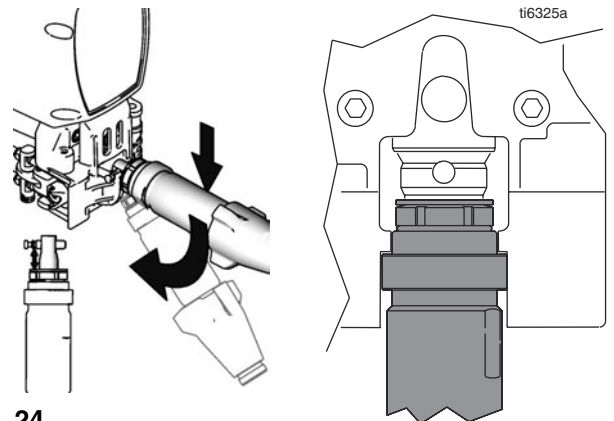


FIG. 24

3. FIG. 25. Slide pump into connecting rod. Push pump pin until it is fully retained.  
Note: Pin will snap into position.

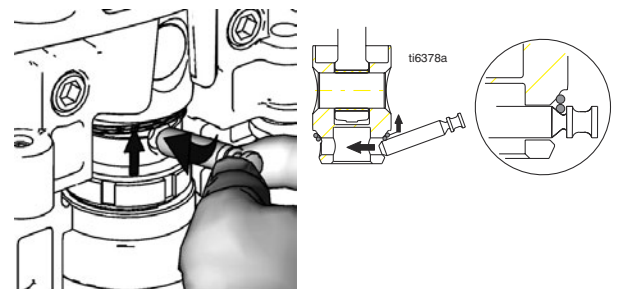
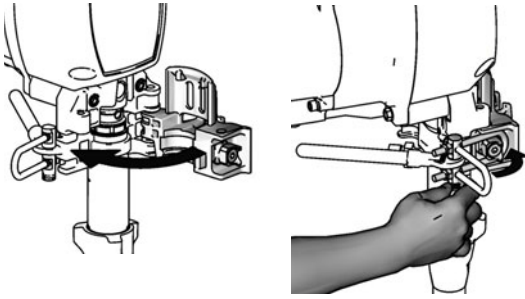


FIG. 25

4. FIG. 26. Close pump door and rotate latch into position. Do not tighten latch.



5. FIG. 26. Rotate pump to align with material hose. Connect material hose and hand tighten to 70 in-lb

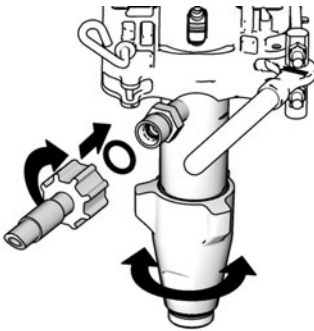


FIG.

6. FIG. 27. Tighten latch and rotate latch lock into locked position.

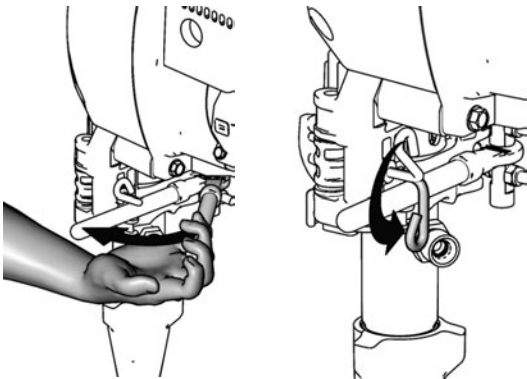


FIG. 27

7. FIG. 28. Attach drain hose to sprayer.

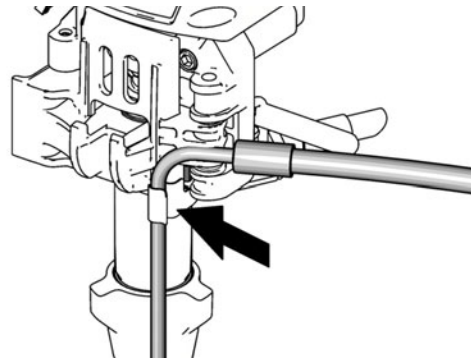


FIG. 28

8. FIG. 29. Fill pump with Graco TSL until fluid flows onto top of seal.

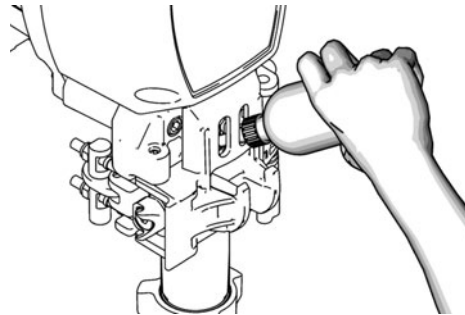


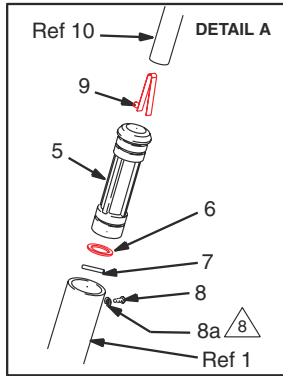
FIG. 29



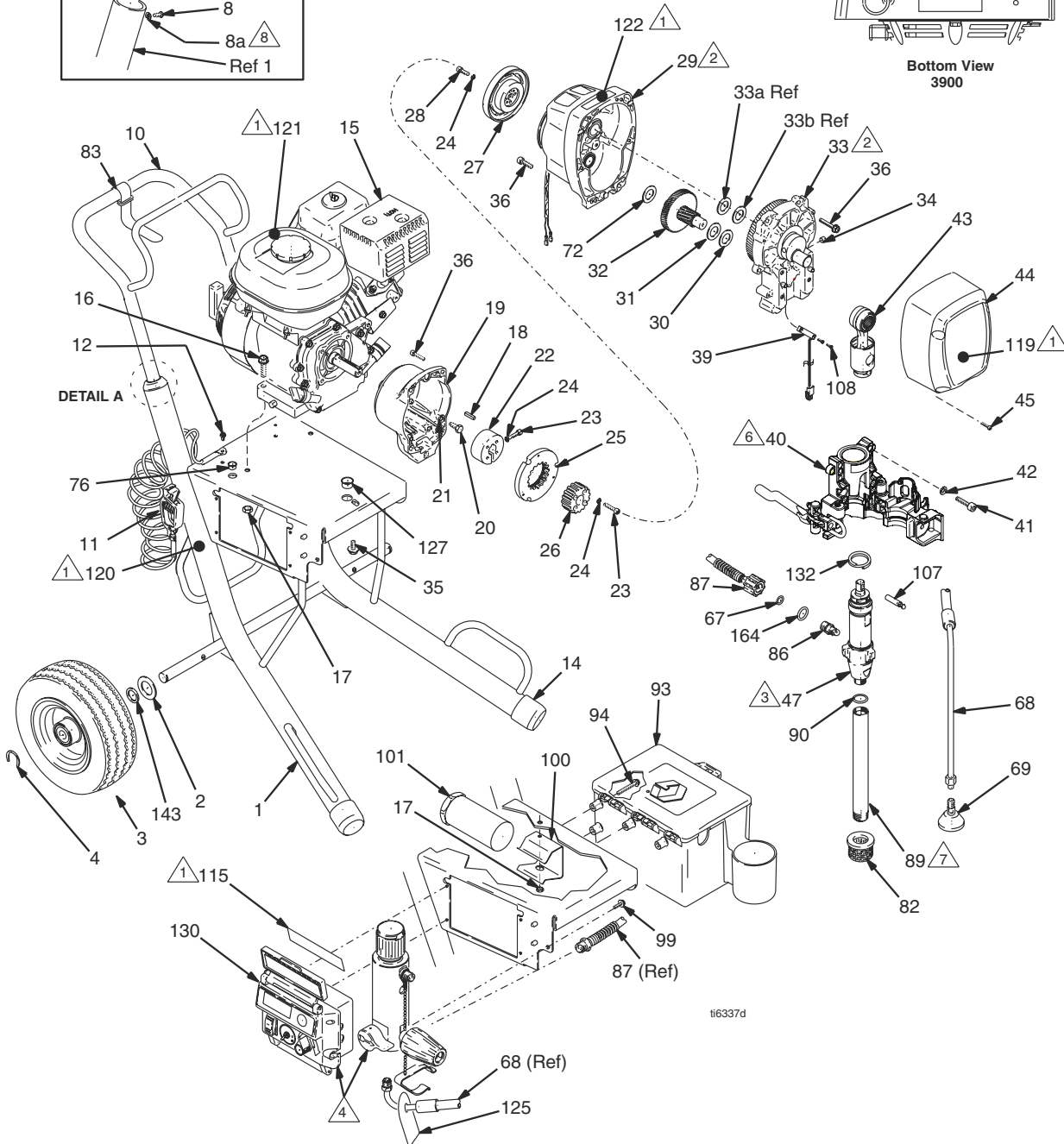
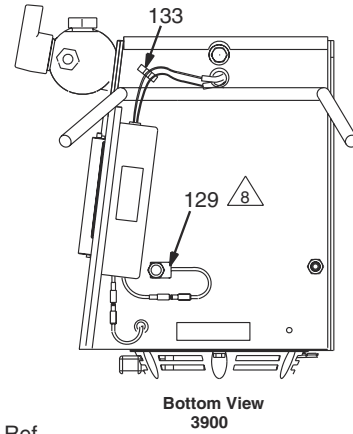
A series of horizontal lines for writing, consisting of 25 evenly spaced lines that span the width of the page.

# Parts

## GMAX II 3900 Parts Drawing



- 1 Label
- 2 See page 26 for parts.
- 3 See manual 310894 for parts.
- 4 See page 28 for parts.
- 6 See page 30 for parts.
- 7 Used on High boys see page 27 for Low boy
- 8 use on 3900 only.

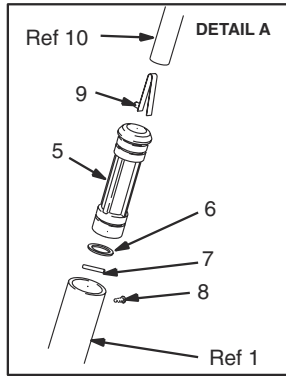


t16337d

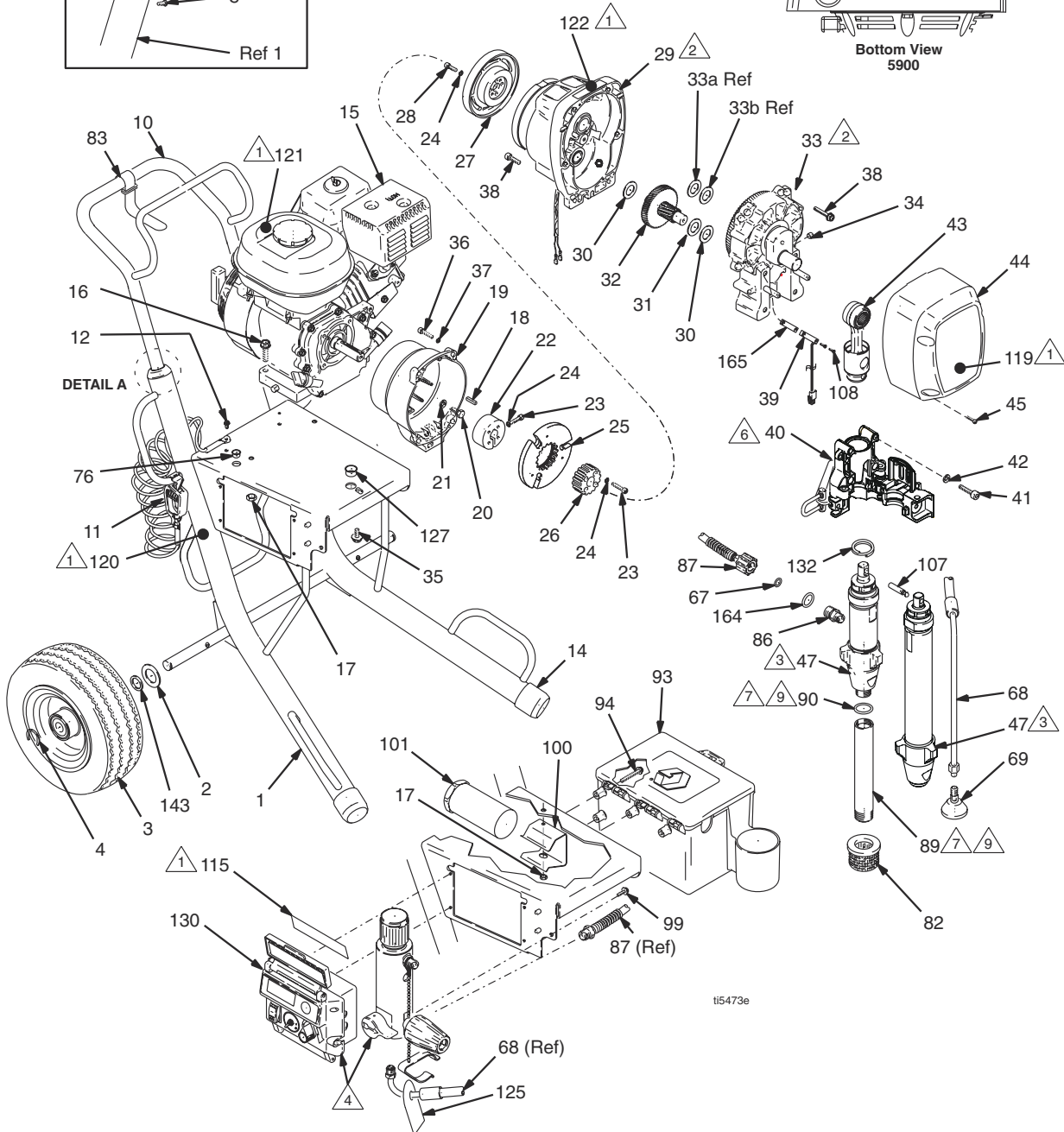
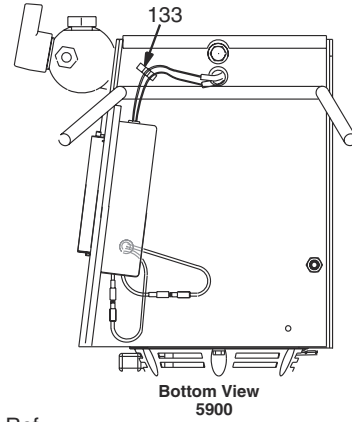
## GMAX II 3900 Parts List

| Ref | Part   | Description                      | Qty | Ref  | Part  | Description                                       | Qty |
|-----|--------|----------------------------------|-----|------|---|---|-----|
| 1   | 287411 | FRAME, cart (3900)               | 1   | 47   | 287512  | PUMP, displacement, (3900)<br>includes 86, 89, 90 | 1   |
| 2   | 156306 | WASHER, flat                     | 2   | 67   | 111457  | O-RING  | 1   |
| 3   | 119420 | WHEEL, pneumatic (3900)          | 2   | 68   | 244240  | HOSE, coupled, includes 69                        | 1   |
| 4   | 15E891 | CLIP, retaining                  | 2   | 69   | 241920  | DEFLECTOR, threaded                               | 1   |
| 5   | 192027 | SLEEVE, cart (3900)              | 2   | 72   | 15F250  | WASHER, thrust (3900)                             | 1   |
| 6   | 183350 | WASHER                           | 2   | 76   | 114678  | BUSHING, strain relief                            | 1   |
| 7   | 108068 | PIN, spring straight             | 2   | 82   | 189920  | STRAINER, (1-11 1/2 npsm)                         | 1   |
| 8   | 109032 | SCREW, mach, prh                 | 4   | 83   | 114271  | STRAP, retaining                                  | 1   |
| 8a  | 100020 | WASHER, lock                     | 4   | 84   | 238049  | FLUID, TSL, 4 oz (not shown)                      | 1   |
| 9   | 112827 | BUTTON, snap                     | 2   | 86   | 15E802  | FITTING, pump, quick disconnect                   | 1   |
| 10  | 245245 | HANDLE, cart                     | 1   | 87   | 287419  | HOSE, coupled                                     | 1   |
| 11  | 237686 | WIRE, ground assembly w/ clamp   | 1   | 89   | 15E807  | TUBE, INTAKE (3900)                               | 1   |
| 12  | 112798 | SCREW, thread forming, hex hd    | 1   | 90   | 118494  | O-RING  | 1   |
| 14  | 15C871 | CAP, leg                         | 2   | 93*  | 287253  | TOOL BOX, includes 94                             | 1   |
| 15  | 108879 | ENGINE, gas, 4.0 hp, (3900)      | 1   | 94*  | 118852  | SCREW, machine, hex washer hd                     | 3   |
| 16  | 110837 | SCREW, flange, hex               | 2   | 99   | 113161  | SCREW, flange, hex hd                             | 3   |
| 17  | 110838 | NUT, lock                        | 2   | 100  | 15E736  | BRACKET, holder, manual                           | 1   |
| 18  | 183401 | KEY, parallel                    | 1   | 101  | 119510  | HOLDER, manual                                    | 1   |
| 19  | 15E535 | HOUSING, clutch, mach (3900)     | 1   | 107  | 15F109  | PIN, pump (3900)                                  | 1   |
| 20  | 108842 | SCREW, cap, hex hd               | 4   | 108* | 114528  | SCREW, MACH, PHILLIPS, PNHD                       | 2   |
| 21  | 100214 | WASHER, lock                     | 4   | 115  | 15F755  | LABEL, identification                             | 1   |
| 22  | 193680 | COLLAR, shaft                    | 1   | 119  | 15E851  | LABEL, identification                             | 1   |
| 23† | 108803 | SCREW, hex, socket head          | 6   | 120▲ | 15F638  | LABEL, danger, English                            | 1   |
| 24† | 105510 | WASHER, lock, spring (hi-collar) | 10  | 121▲ | 194126  | LABEL, warning                                    | 1   |
| 25† |        | ARMATURE, clutch, 4in. (3900)    | 1   | 122  | 290228  | LABEL, caution                                    | 1   |
| 26† |        | HUB, armature                    | 1   | 125▲ | 195119  | LABEL, warning                                    | 1   |
| 27† |        | ROTOR, clutch, 4 in. (3900)      | 1   | 127  | 119569  | BUSHING, strain relief                            | 1   |
| 28† | 101682 | SCREW, cap, sch                  | 4   | 129  | 119579  | CONDUCTOR, ground                                 | 1   |
| 29  | 287463 | HOUSING, pinion, (3900)          | 1   | 130  |   | BOX, control                                      | 1   |
| 30  | 114672 | WASHER, thrust (brass)           | 1   | *    | 287648  | Premium   | 1   |
| 31  | 114699 | WASHER, thrust (steel)           | 1   |      | 287649  | Standard  | 1   |
| 32  | 287653 | GEAR, combination (3900)         | 1   | 132  | 119676  | SPRING, RETAINING (3900)                          | 1   |
| 33  | 287467 | HOUSING, drive (3900)            | 1   | 133  | 114687  | CLIP, RETAINER                                    | 1   |
| 34* | 116618 | MAGNET                           | 1   | 134* | 15F354  | FUNNEL, OIL (shown on page 5)                     | 1   |
| 35  | 112395 | SCREW, cap, flnghd               | 1   | 143  | 116038  | WASHER, wave spring                               | 2   |
| 36  | 119426 | SCREW, hex washer hd (3900)      | 10  | 164  | 119790  | O-RING  | 1   |
| 39* | 119562 | SWITCH, reed w/connector         | 1   |      |   |   |     |
| 40  | 287932 | HOUSING, bearing (3900)          | 1   |      |   |   |     |
| 41  | 113467 | SCREW, cap, socket hd            | 4   | ▲    | <i>Replacement Danger and Warning labels, tags,<br/>and cards are available at no cost.</i> |   |     |
| 42  | 104008 | WASHER, lock spring              | 4   | *    | Premium sprayers only   |   |     |
| 43  | 287471 | ROD, connecting (3900)           | 1   | †    | Included in Clutch Replacement Kit 241109   |   |     |
| 44  | 287521 | COVER, front, includes 45 (3900) | 1   |      |   |   |     |
| 45  | 118444 | SCREW, mach hex wash hd          | 4   |      |   |   |     |

# GMAX II 5900/5900HD Parts Drawing



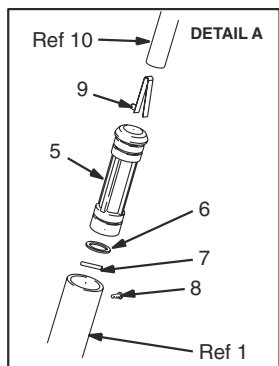
- 1 Label
- 2 See page 26 for parts.
- 3 See manual 310894 for parts.
- 4 See page 28 for parts.
- 6 See page 30 for parts.
- 7 Used on High boys see page 27 for Low boy
- 9 Not used on 5900 HD



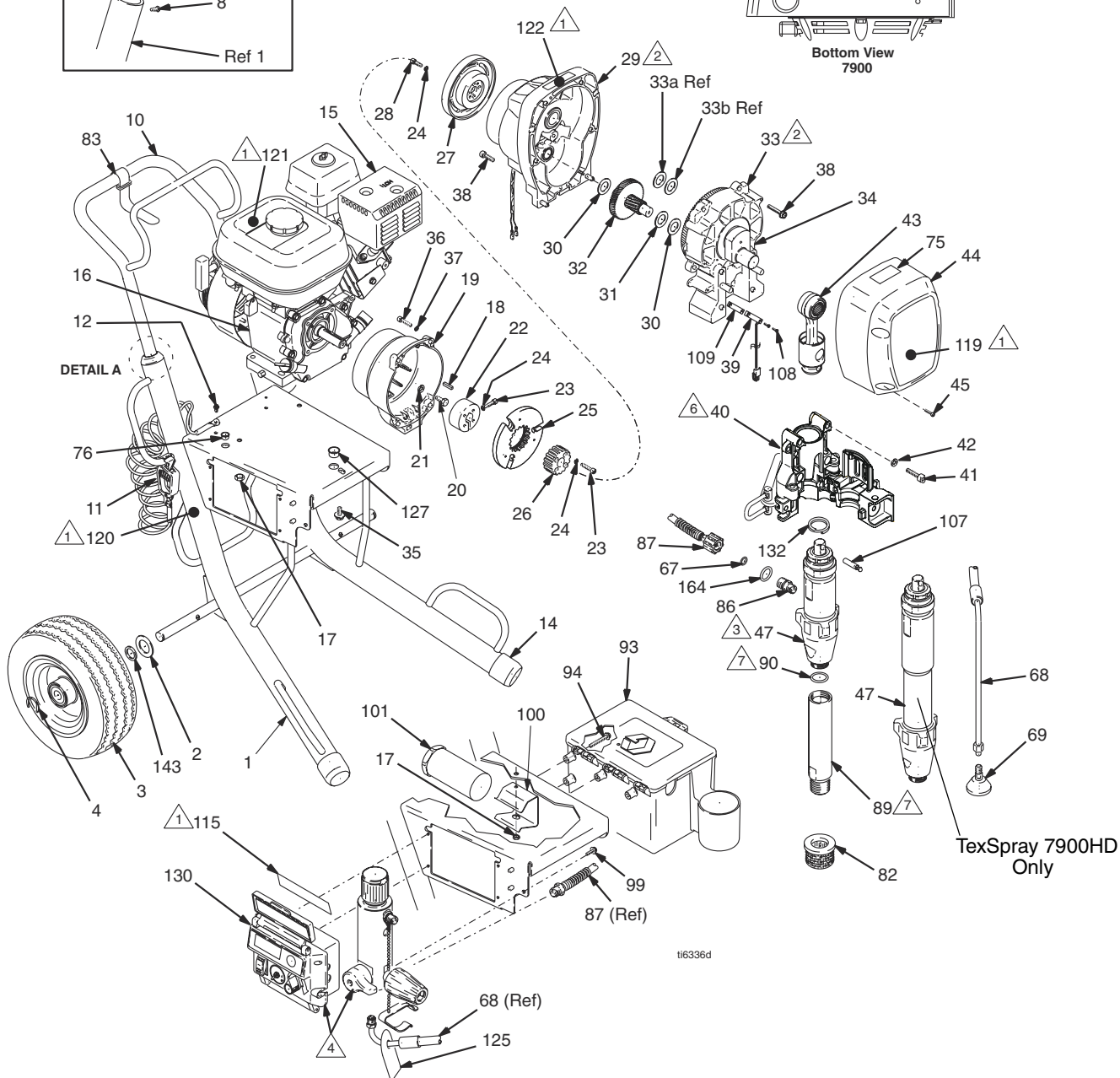
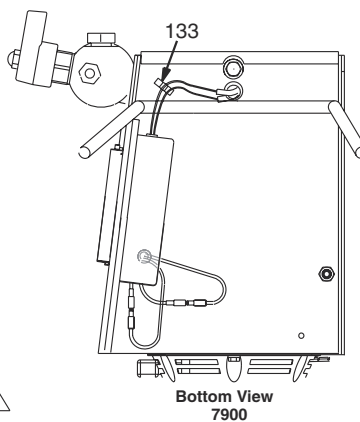
## GMAX II 5900/5900HD Parts List

| Ref | Part   | Description                         | Qty | Ref    | Part   | Description   | Qty |
|-----|--------|-------------------------------------|-----|--------|--------|---|-----|
| 1   | 287370 | FRAME, cart (5900/7900)             | 1   | 47     |        | PUMP, displacement  |     |
| 2   | 156306 | WASHER, flat                        | 2   | 287513 |        | (5900), includes 86, 89, 90   | 1   |
| 3   | 119509 | WHEEL, pneumatic (5900/7900)        | 2   | 287579 |        | (5900HD), includes 86, 164  | 1   |
| 4   | 15E891 | CLIP, retaining                     | 2   | 67     | 111457 | O-RING  | 1   |
| 5   | 187604 | SLEEVE, cart (5900/7900)            | 2   | 68     | 244240 | HOSE, coupled, includes 69  | 1   |
| 6   | 183350 | WASHER                              | 2   | 69     | 241920 | DEFLECTOR, threaded   | 1   |
| 7   | 108068 | PIN, spring straight                | 2   | 76     | 114678 | BUSHING, strain relief  | 1   |
| 8   | 108795 | SCREW, mach, prnh                   | 5   | 82     | 189920 | STRAINER, (1-11 1/2 npsm)   | 1   |
| 9   | 112827 | BUTTON, snap                        | 2   | 83     | 114271 | STRAP, retaining  | 1   |
| 10  | 245245 | HANDLE, cart                        | 1   | 84     | 238049 | FLUID, TSL, 4 oz (not shown)  | 1   |
| 11  | 237686 | WIRE, ground assembly w/ clamp      | 1   | 86     | 15E802 | FITTING, pump, quick disconnect   | 1   |
| 12  | 112798 | SCREW, thread forming, hex hd       | 1   | 87     | 287419 | HOSE, coupled   | 1   |
| 14  | 276974 | CAP, leg                            | 2   | 89     | 15E806 | TUBE, INTAKE  | 1   |
| 15  | 114530 | ENGINE, gas, 5.5 hp, (5900)         | 1   | 90     | 118494 | O-RING  | 1   |
| 16  | 110837 | SCREW, flange, hex                  | 2   | 93*    | 287253 | TOOL BOX, includes 94   | 1   |
| 17  | 110838 | NUT, lock                           | 2   | 94*    | 118852 | SCREW, machine, hex washer hd   | 3   |
| 18  | 183401 | KEY, parallel                       | 1   | 99     | 113161 | SCREW, flange, hex hd   | 3   |
| 19  | 15E277 | HOUSING, clutch, mach (5900/7900)   | 1   | 100    | 15E736 | BRACKET, holder, manual   | 1   |
| 20  | 108842 | SCREW, cap, hex hd                  | 4   | 101    | 119510 | HOLDER, manual  | 1   |
| 21  | 100214 | WASHER, lock                        | 4   | 107    | 15F110 | PIN, pump (5900)  | 1   |
| 22  | 193680 | COLLAR, shaft                       | 1   | 108*   | 114528 | SCREW, MACH, PHILLIPS, PNHD   | 2   |
| 23† | 108803 | SCREW, hex, socket head             | 6   | 115    | 15E854 | LABEL, identification   | 1   |
| 24† | 105510 | WASHER, lock, spring (hi-collar)    | 10  | 119    |        | LABEL, identification   |     |
| 25† |        | ARMATURE, clutch, 5 in. (5900/7900) | 1   |        | 15E852 | (5900)  | 1   |
| 26† |        | HUB, armature                       | 1   |        | 15E980 | (5900HD)  | 1   |
| 27† |        | ROTOR, clutch, 5 in. (5900/7900)    | 1   | 120▲   | 15F638 | LABEL, warning  | 1   |
| 28† | 101682 | SCREW, cap, sch                     | 4   | 121▲   | 194126 | LABEL, warning  | 1   |
| 29  | 287465 | HOUSING, pinion, 5900               | 1   | 122    | 290228 | LABEL, caution  | 1   |
| 30  | 114672 | WASHER, thrust (brass)              | 2   | 125▲   | 195119 | LABEL, warning  | 1   |
| 31  | 114699 | WASHER, thrust (steel)              | 1   | 127    | 119569 | BUSHING, strain relief  | 1   |
| 32  | 287460 | GEAR, combination (5900)            | 1   | 130    |        | BOX, control  | 1   |
| 33  | 287469 | HOUSING, drive (5900)               | 1   | *      | 287648 | Premium   | 1   |
| 34* | 116618 | MAGNET                              | 1   |        | 287649 | Standard  | 1   |
| 35  | 112395 | SCREW, cap, flnghd                  | 1   | 132    | 119778 | SPRING, RETAINING (5900)  | 1   |
| 36  | 102962 | SCREW, cap sch (5900/7900)          | 4   | 133    | 114687 | CLIP, RETAINER  | 1   |
| 37  | 104008 | WASHER, lock, spring (5900/7900)    | 4   | 134*   | 15F354 | FUNNEL, OIL (shown on page 5)   | 1   |
| 38  | 15C753 | SCREW, mach hex hd (5900/7900)      | 6   | 143    | 116038 | WASHER, wave spring   | 2   |
| 39* | 119562 | SWITCH, reed w/connector            | 1   | 164    | 119790 | O-RING  | 1   |
| 40  | 287933 | HOUSING, bearing (5900)             | 1   | 165    | 15G584 | RECEIVER, clamp   | 1   |
| 41  | 114666 | SCREW, cap, socket hd               | 4   |        |        |   |     |
| 42  | 106115 | WASHER, lock spring (hi-collar)     | 4   | ▲      |        | <i>Replacement Danger and Warning labels, tags, and cards are available at no cost.</i> |     |
| 43  | 287472 | ROD, connecting (5900)              | 1   | *      |        | Premium sprayers only   |     |
| 44  | 287511 | COVER, front, (5900), includes 45   | 1   | †      |        | Included in Clutch Replacement Kit 241113   |     |
| 45  | 118444 | SCREW, mach hex wash hd             | 4   |        |        |   |     |

# GMAX II 7900/TexSpray 7900 HD Parts Drawing



- △ 1 Label
- △ 2 See page 26 for parts.
- △ 3 See manual 310894 for parts.
- △ 4 See page 28 for parts.
- △ 6 See page 30 for parts.
- △ 7 Used on High boys see page 27 for Low boy





## GMAX II 7900/TexSpray 7900HD Parts List

| Ref | Part   | Description   | Qty | Ref  | Part   | Description   | Qty |
|-----|--------|---|-----|------|--------|---|-----|
| 1   | 287370 | FRAME, cart (5900/7900)                                   | 1   |      | 109450 | O-RING (TexSpray 7900HD only)                             | 1   |
| 2   | 156306 | WASHER, flat  | 2   | 68   | 244240 | HOSE, coupled, includes 69                                | 1   |
| 3   | 119509 | WHEEL, pneumatic (5900/7900)                              | 2   | 69   | 241920 | DEFLECTOR, threaded                                       | 1   |
| 4   | 15E891 | CLIP, retaining   | 2   | 75   | 15F584 | LABEL, ProConnect   | 1   |
| 5   | 191084 | SLEEVE, cart (5900/7900)                                  | 2   | 76   | 114678 | BUSHING, strain relief                                    | 1   |
| 6   | 183350 | WASHER  | 2   | 82   | 189920 | STRAINER, (1-11 1/2 npsm)                                 | 1   |
| 7   | 108068 | PIN, spring straight                                      | 2   | 83   | 114271 | STRAP, retaining  | 1   |
| 8   | 108795 | SCREW, mach, pnh  | 4   | 84   | 238049 | FLUID, TSL, 4 oz (not shown)                              | 1   |
| 9   | 112827 | BUTTON, snap  | 2   | 86   | 15E802 | FITTING, pump, quick disconnect                           | 1   |
| 10  | 245245 | HANDLE, cart  | 1   |      | 15G509 | FITTING, pump, quick disconnect<br>(TexSpray 7900HD only) | 1   |
| 11  | 237686 | WIRE, ground assembly w/ clamp                            | 1   |      |        |   |     |
| 12  | 112798 | SCREW, thread forming, hex hd                             | 1   | 87   | 287419 | HOSE, coupled   | 1   |
| 14  | 276974 | CAP, leg  | 2   |      | 289282 | HOSE, coupled<br>(TexSpray 7900HD only)                   | 1   |
| 15  | 116080 | ENGINE, gas, 6.5 hp, (7900)                               | 1   |      |        |   |     |
| 16  | 110837 | SCREW, flange, hex  | 2   | 89✿  | 248215 | TUBE, INTAKE  | 1   |
| 17  | 110838 | NUT, lock   | 2   | 90✿  | 118494 | O-RING  | 1   |
| 18  | 183401 | KEY, parallel   | 1   | 93✿  | 287253 | TOOL BOX, includes 94                                     | 1   |
| 19  | 15E277 | HOUSING, clutch, mach (5900/7900)                         | 1   | 94✿  | 118852 | SCREW, machine, hex washer hd                             | 3   |
| 20  | 108842 | SCREW, cap, hex hd  | 4   | 99   | 113161 | SCREW, flange, hex hd                                     | 3   |
| 21  | 100214 | WASHER, lock  | 4   | 100  | 15E736 | BRACKET, holder, manual                                   | 1   |
| 22  | 193680 | COLLAR, shaft   | 1   | 101  | 119510 | HOLDER, manual  | 1   |
| 23† | 108803 | SCREW, hex, socket head                                   | 6   | 107  | 15F097 | PIN, pump (7900)  | 1   |
| 24† | 105510 | WASHER, lock, spring (hi-collar)                          | 10  | 108* | 114528 | SCREW, MACH, PHILLIPS, PNHD                               | 2   |
| 25† |        | ARMATURE, clutch, 5 in. (5900/7900)                       | 1   | 109* | 15F947 | SHIELD, magnetic  | 1   |
| 26† |        | HUB, armature   | 1   | 115  | 15E854 | LABEL, identification                                     | 1   |
| 27† |        | ROTOR, clutch, 5 in. (5900/7900)                          | 1   | 119  | 15E853 | LABEL, identification                                     | 1   |
| 28† | 101682 | SCREW, cap, sch   | 4   |      | 15M962 | LABEL, front (TexSpray 7900HD only)                       | 1   |
| 29  | 287466 | HOUSING, pinion, 7900                                     | 1   | 120▲ | 15F638 | LABEL, danger, English                                    | 1   |
| 30  | 114672 | WASHER, thrust (brass)                                    | 2   | 121▲ | 194126 | LABEL, warning  | 1   |
| 31  | 114699 | WASHER, thrust (steel)                                    | 1   | 122  | 290228 | LABEL, caution  | 1   |
| 32  | 287459 | GEAR, combination (7900)                                  | 1   | 125▲ | 195119 | LABEL, warning  | 1   |
| 33  | 287470 | HOUSING, drive (7900)                                     | 1   | 127  | 119569 | BUSHING, strain relief                                    | 1   |
| 34* | 116618 | MAGNET  | 1   | 130  |        | BOX, control  |     |
| 35  | 112395 | SCREW, cap, flnghd  | 1   | *    | 287648 | Premium   | 1   |
| 36  | 102962 | SCREW, cap sch (5900/7900)                                | 4   |      | 287649 | Standard  | 1   |
| 37  | 104008 | WASHER, lock, spring (5900/7900)                          | 4   | 132  | 119677 | SPRING, RETAINING (7900)                                  | 1   |
| 38  | 15C753 | SCREW, mach hex hd(5900/7900)                             | 6   | 133  | 114687 | CLIP, RETAINER  | 1   |
| 39* | 119562 | SWITCH, reed w/connector                                  | 1   | 134* | 15F354 | FUNNEL, OIL (shown on page 5)                             | 1   |
| 40  | 287934 | HOUSING, bearing (7900)                                   | 1   | 143  | 116038 | WASHER, wave spring                                       | 2   |
| 41  | 112599 | SCREW, cap, socket hd                                     | 4   | 164  | 119790 | O-RING  | 1   |
| 42  | 112600 | WASHER, lock spring (hi-collar)                           | 4   |      | 109450 | O-RING (TexSpray 7900HD only)                             | 1   |
| 43  | 287473 | ROD, connecting (7900)                                    | 1   |      |        |   |     |
| 44  | 287520 | COVER, front, (7900), includes 45                         | 1   |      |        |   |     |
| 45  | 118444 | SCREW, mach hex wash hd                                   | 5   |      |        |   |     |
| 47  | 249122 | PUMP, displacement (7900),<br>includes 86, 89, 90         | 1   |      |        |   |     |
|     | 289590 | PUMP, displacement (TexSpray<br>7900HD), includes 86, 164 | 1   |      |        |   |     |
| 67  | 111457 | O-RING  | 1   |      |        |   |     |

▲ Replacement Danger and Warning labels, tags, and cards are available at no cost.

\* Premium sprayers only

† Included in Clutch Replacement Kit 241113

✿ Not used on TexSpray 7900HD

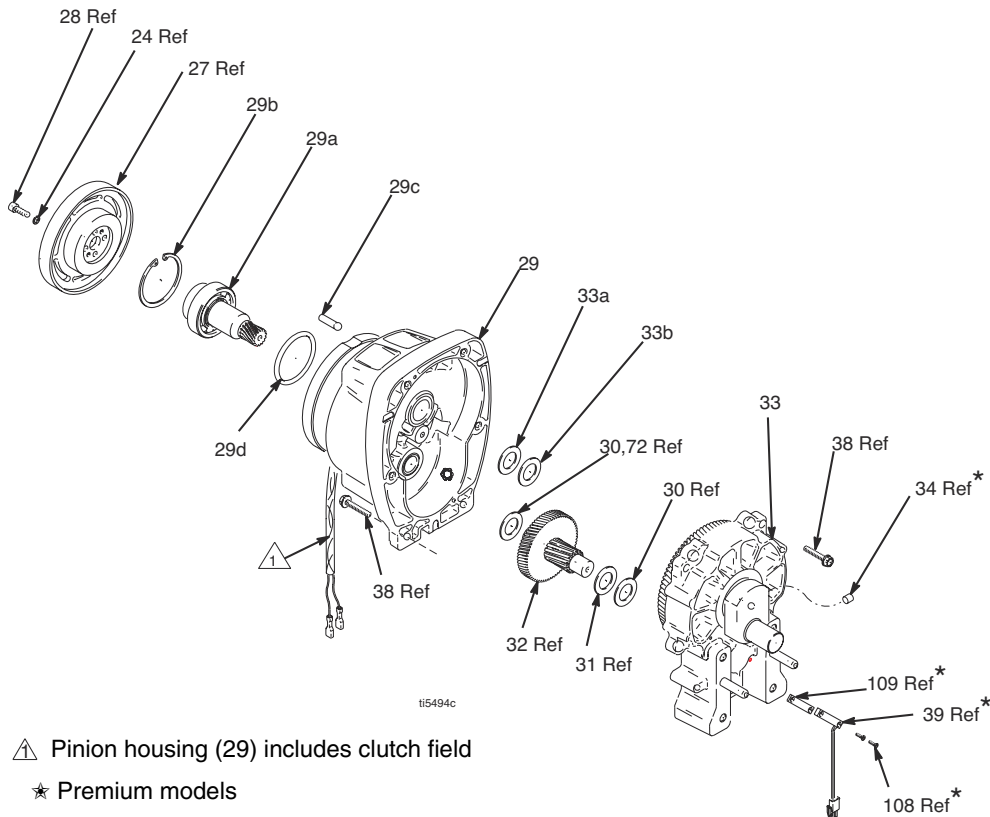
# Parts Drawing and List - Pinion Housing, Drive Housing

**GMAX II 3900: 287463**  
**GMAX II 5900: 287465**  
**GMAX II 7900: 287466**  
**TexSpray 7900HD: 287466**

**GMAX II 3900: 287467**  
**GMAX II 5900: 287469**  
**GMAX II 7900: 287470**  
**TexSpray 7900HD: 287470**

| Ref | Part   | Description               | Qty |
|-----|--------|---------------------------|-----|
| 29  |        | KIT, repair, field        |     |
|     | 287474 | 3900                      | 1   |
|     | 287476 | 5900                      | 1   |
|     | 287477 | 7900/TexSpray 7900HD      | 1   |
| 29a |        | GEAR, driving, first      |     |
|     | 287525 | 3900                      | 1   |
|     | 241114 | 5900/7900/TexSpray 7900HD | 1   |
| 29b |        | RING, retaining, large    |     |
|     | 113094 | 3900                      | 1   |
|     | 112770 | 5900/7900/TexSpray 7900HD | 1   |
| 29c | 105489 | PIN, dowel                | 2   |
| 29d |        | O-RING                    |     |
|     | 165295 | 3900                      | 1   |
|     | 114683 | 5900/7900/TexSpray 7900HD | 1   |
| 33a |        | WASHER, thrust, steel     |     |
|     | 116191 | 3900                      | 1   |
|     | 116192 | 5900/7900/TexSpray 7900HD | 1   |

| Ref | Part   | Description               | Qty |
|-----|--------|---------------------------|-----|
| 33  |        | DRIVE HOUSING             | 1   |
| 33a |        | WASHER, thrust, steel     |     |
|     | 116191 | 3900                      | 1   |
|     | 116192 | 5900/7900/TexSpray 7900HD | 1   |
| 33b |        | WASHER, thrust, brass     |     |
|     | 107089 | 3900                      | 1   |
|     | 194173 | 5900/7900/TexSpray 7900HD | 1   |

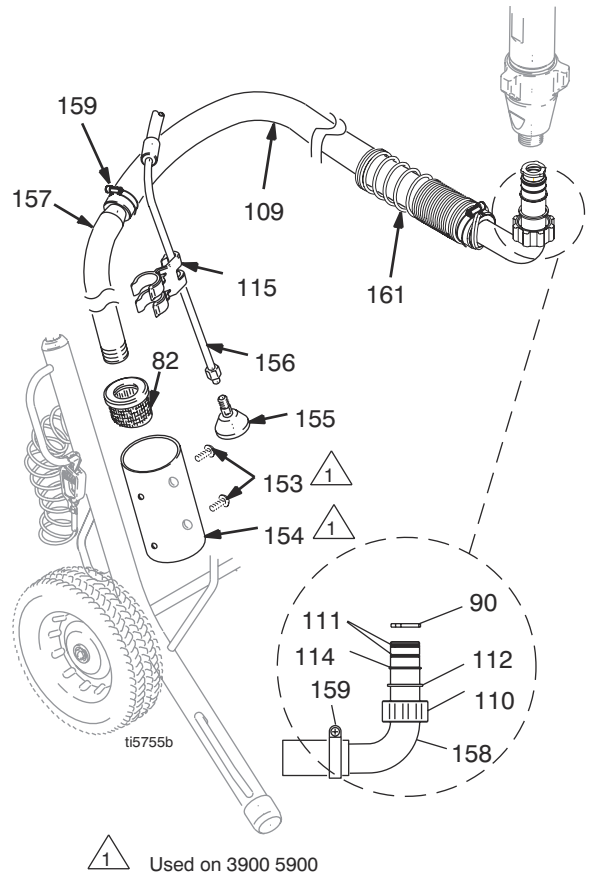


# LoBoy Suction Set Kits

(Kits include suction set and drain hose)

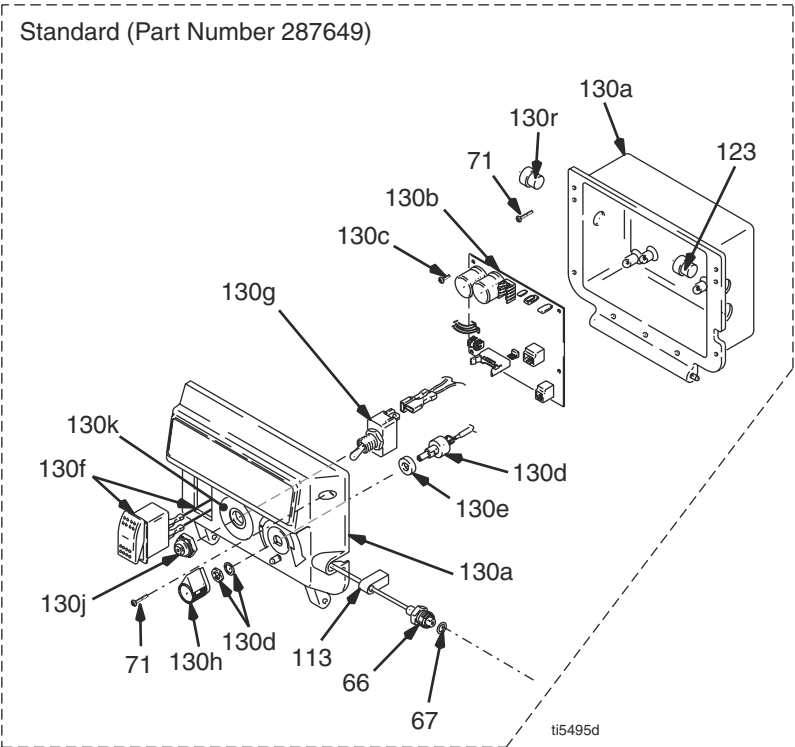
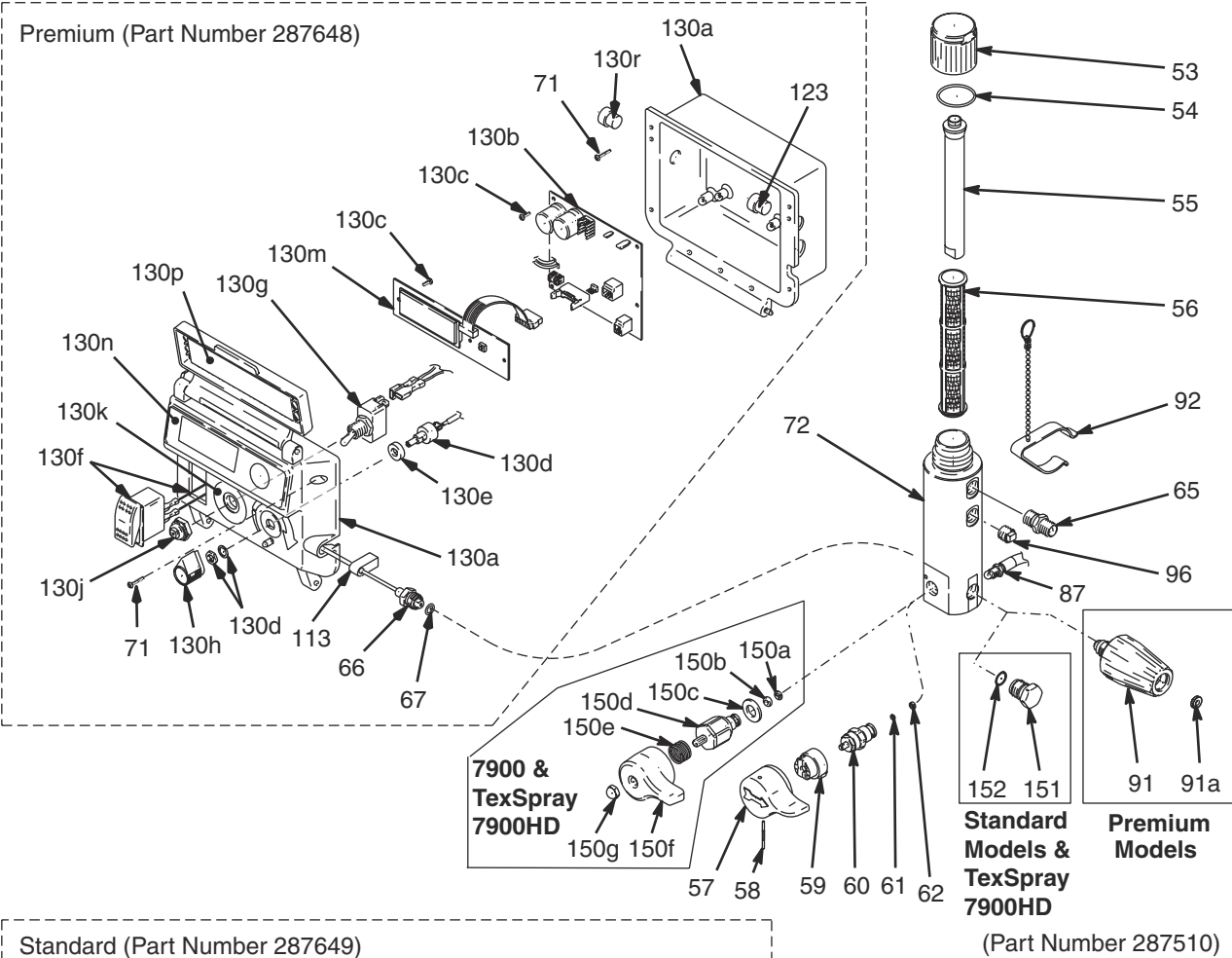
GMAX II 3900/5900/7900 5 Gallon Kit: 287631  
 GMAX II 3900/5900/7900 55 Gallon Kit: 287541

| Ref | Part   | Description  | Qty |
|-----|--------|--|-----|
| 82  | 189920 | STRAINER, 1-11 1/2 npsm  | 1   |
| 90  |        | O-RING   |     |
|     | 115099 | 3900/5900  | 1   |
|     | 119566 | 7900   | 1   |
| 109 |        | HOSE, suction 3900/5900 287988   |     |
|     | 288038 | includes 82, 109 (suction hose), 110, 111, 112, 114, 115                           | 1   |
|     | 288039 | HOSE, suction 7900 288114 includes 82, 109 (suction hose), 110, 111, 112, 114, 115 | 1   |
| 110 | 15C980 | NUT, jam   | 1   |
| 111 | 15H854 | O-RING   | 2   |
| 112 | 15C981 | WASHER, suction, swivel  | 1   |
| 114 | 118505 | RING, retaining, external  | 1   |
| 115 |        | CLIP, drain line   |     |
|     | 15D000 | 3900/5900  | 1   |
|     | 196723 | 7900   | 1   |
| 153 |        | SCREW  |     |
|     | 108795 | 3900/5900  | 2   |
|     | NONE   | 7900   |     |
| 154 |        | TUBE   |     |
|     | 15E952 | 3900/5900  | 1   |
|     | NONE   | 7900   |     |
| 155 | 241920 | DEFLECTOR  | 1   |
| 156 |        | HOSE, drain, includes 155  |     |
|     | 287654 | 3900/5900  | 1   |
|     | 246331 | 7900   | 1   |
| 157 |        | TUBE, suction  |     |
|     | 15F149 | 3900/5900  | 1   |
|     | 15F171 | 7900   | 1   |
| 158 | 15F909 | TUBE, angle  | 1   |
| 159 | 120330 | CLAMP, hose  | 2   |
| 160 |        | HOSE, suction  |     |
|     | 15H393 | 3900/5900  | 1   |
|     | 15H787 | 7900   | 1   |
| 161 | 176450 | GUARD, hose  | 1   |



# Pressure Control and Filter Parts Drawing

All Models



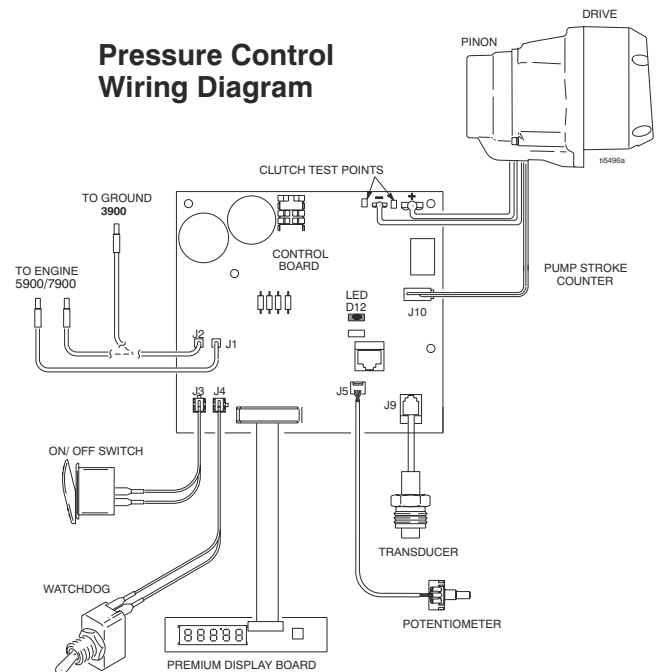
**Pressure Control and Filter Parts List**

| REF    | PART   | DESCRIPTION                           | QTY |
|--------|--------|---------------------------------------|-----|
|        |        | Filter Replacement Kit                |     |
|        | 287510 | 3900/5900                             |     |
|        | 287517 | 7900                                  |     |
| 53★†   | 15C765 | CAP, filter                           | 1   |
| 54★†   | 117285 | O-RING                                | 1   |
| 55★†   | 15C766 | TUBE, diffusion                       | 1   |
| 56★†   | 244067 | FILTER, fluid                         | 1   |
| 57★    | 15C780 | HANDLE                                | 1   |
| 58★    | 15C972 | PIN, grooved                          | 1   |
| 59★    | 224807 | BASE, valve                           | 1   |
| 60★‡   | 235014 | VALVE, drain, replacement kit         | 1   |
| 61★‡   | 15E022 | SEAT, valve                           | 1   |
| 62★‡   | 111699 | GASKET, seat, valve                   | 1   |
| 65     |        | ADAPTER                               |     |
| ★      | 164672 | (3900/5900)                           | 1   |
| †      | 162485 | (7900/TexSpray 5900HD/7900HD)         | 1   |
| 66★†   | 243222 | TRANSDUCER, pressure contl            | 1   |
| 67★†   | 111457 | O-RING                                | 1   |
| 71     | 116585 | SCREW, mach, pnh, sems                | 6   |
| 72*†   | 15E284 | HOUSING, filter                       | 1   |
| 87     | 287419 | HOSE, coupled                         | 1   |
|        | 289282 | HOSE, coupled<br>(TexSpray 7900HD)    | 1   |
| 91*    | 287293 | VALVE, auto clean, includes 91a       | 1   |
| 91a*   | 115524 | GASKET                                | 1   |
| 92*    | 244346 | KIT, repair, clamp, trigger           | 1   |
| 96★†   | 104813 | PLUG, pipe                            | 1   |
| 113    | 15E925 | GASKET, TRANSDUCER                    | 1   |
| 123    | 119545 | BUSHING, strain, relief               | 1   |
| 130    |        | <b>CONTROL BOX</b>                    |     |
| 130a*  | 249583 | BOX, premium                          | 1   |
| 130a   | 249584 | BOX, standard                         | 1   |
| 130b   | 287516 | CONTROL, board                        | 1   |
| 130c   | 117317 | SCREW, pan head                       | 4   |
| 130d   | 241443 | POTENTIOMETER                         | 1   |
| 130e   | 198650 | SPACER, shaft                         | 1   |
| 130f   | 116752 | SWITCH, rocker                        | 1   |
| 130g   | 119541 | SWITCH, toggle                        | 1   |
| 130h   | 116167 | KNOB, potentiometer                   | 1   |
| 130j   | 195428 | BOOT, toggle                          | 1   |
| 130k   | 15E857 | LABEL, identification                 | 1   |
| 130m*  | 287515 | DISPLAY, LCD, GMAX                    | 1   |
| 130n*  | 15E855 | LABEL                                 | 1   |
| 130p*  | 15E858 | LABEL, identification                 | 1   |
| 130r   | 119545 | BUSHING, strain relief                | 1   |
| 150    | 245103 | DRAIN VALVE (7900/TexSpray<br>7900HD) | 1   |
| 150a†◆ | 193710 | SEAL, valve                           | 1   |

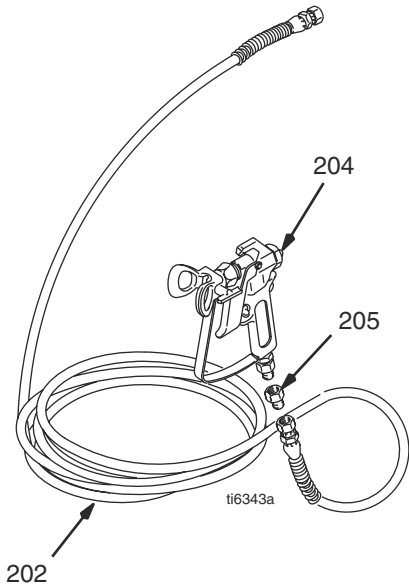
| REF    | PART   | DESCRIPTION   | QTY |
|--------|--------|---|-----|
| 150b†◆ | 193709 | SEAT, valve   | 1   |
| 150c†◆ | 114797 | GASKET  | 1   |
| 150d†◆ |        | VALVE ASSEMBLY                                      | 1   |
| 150e†◆ | 114708 | SPRING, compression                                 | 1   |
| 150f†◆ | 15G563 | HANDLE, valve                                       | 1   |
| 150g†◆ | 116424 | NUT, cap, hex, hd                                   | 1   |
| 151    | 248314 | PLUG, (Standard) includes 152                       | 1   |
| 152    | 15D541 | O-RING, Standard)                                   | 1   |
| 160*   | 287648 | CONTROL, premium, complete<br>(includes 130b-130r)  | 1   |
| 161    | 287649 | CONTROL, standard, complete<br>(includes 130b-130r) | 1   |

- ★ Included in Filter Replacement Kit 287510
- † Included in Filter Replacement Kit 287517
- ‡ Included in Drain Valve Replacement Kit 235014
- ◆ Included in Drain Valve Replacement Kit 245103
- \* Premium models only

**Pressure Control Wiring Diagram**

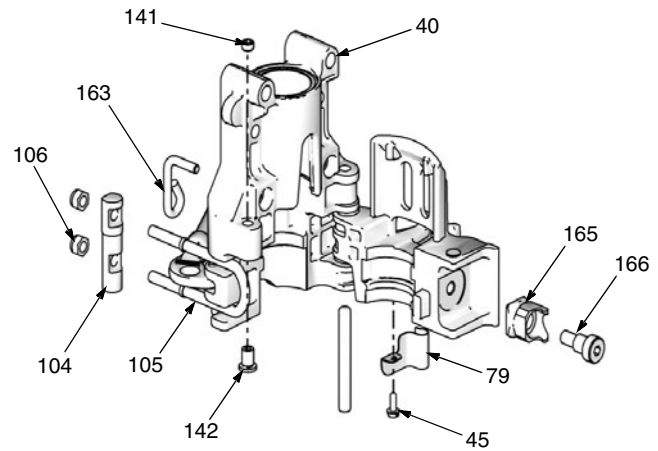


Parts - Sprayers, RAC™ X Tip, Gun & Hose



| Ref | Part   | Description  | Qty |
|-----|--------|--|-----|
| 202 | 240794 | HOSE, grounded, nylon; 1/4 in. ID; cpld 1/4 npsm(fbe); 50 ft (15 m); spring guards both ends; 3300 psi (228 bar, 22.8 MPa) (3900/5900)                   | 1   |
|     | 240797 | HOSE, grounded, nylon; 3/8 in. ID; cpld 1/4 npsm(fbe); 50 ft (15 m); spring guards both ends; 3300 psi (228 bar, 22.8 MPa) (5900HD/7900/TexSpray 7900HD) | 1   |
| 204 | 288420 | CONTRACTOR II SPRAY GUN<br>Includes RAC X 517-size SwitchTip and HandTite Guard. See 311861 for parts. (3900/5900/7900)                                  | 1   |
|     | 241705 | TEXTURE SPRAY GUN<br>Includes LTX531 SwitchTip and Guard. See 308491 for parts. (5900HD/TexSpray 7900HD)   | 1   |
| 205 | 159841 | BUSHING, 3/8 x 1/4 in. (5900HD/7900)   | 1   |
| 206 | 241735 | HOSE, whip 1/4 in. x 3 ft (TexSpray 7900HD)  | 1   |

Ref 40: Bearing Housing



| Ref | Part   | Description                                      | Qty |
|-----|--------|--|-----|
| 40  | 287932 | HOUSING, bearing (3900)                          | 1   |
|     | 287933 | HOUSING, bearing (5900)                          | 1   |
|     | 287934 | HOUSING, bearing (7900/TexSpray 7900HD)          | 1   |
| 45  | 118444 | SCREW, mach hex wash hd                          | 1   |
| 79  | 15E975 | CLIP, spring                                     | 1   |
| 104 |        | PIN, housing, bearing                            |     |
|     | 15E779 | 3900   | 1   |
|     | 15E625 | 5900/7900/TexSpray 7900HD                        | 1   |
| 105 |        | LATCH, housing, bearing                          |     |
|     | 15G930 | 3900   | 1   |
|     | 15G890 | 5900/7900/TexSpray 7900HD                        | 1   |
| 106 |        | NUT, lock hex                                    |     |
|     | 102040 | 3900   | 2   |
|     | 111040 | 5900/7900/TexSpray 7900HD                        | 2   |
| 141 | 15F503 | SCREW, set, socket hd                            | 1   |
| 142 | 15F498 | SCREW, adjustment                                | 1   |
| 163 | 15F116 | LATCH  | 1   |
| 165 | 15G840 | RECEIVER, latch (3900)                           | 1   |
|     | 15G584 | RECEIVER, latch (5900/7900/TexSpray 7900HD)      | 1   |
| 166 | 108859 | SCREW, shoulder, sch (3900)                      | 1   |
|     | 116942 | SCREW, shoulder, sch (5900/7900/TexSpray 7900HD) | 1   |

# Technical Data

|                              |   |
|------------------------------|---|
| Honda GX120 Engine           |   |
| ANSI Power Rating @ 3600 rpm | 4.0 Horsepower (3.0 kW)   |
| Honda GX160 Engine           |   |
| ANSI Power Rating @ 3600 rpm | 5.5 Horsepower (4.1 kW)   |
| Honda GX 200 Engine          |   |
| ANSI Power Rating @ 3600 rpm | 6.5 Horsepower (4.8 kW)   |
| Maximum working pressure     |   |
|                              | 3300 psi<br>(228 bar, 22.8 MPa)   |
| Noise Level                  |   |
| Sound power                  | 105 dBa<br>per ISO 3744   |
| Sound pressure               | 96 dBa<br>measured at 3.1 feet (1 m)  |
| Maximum delivery rating      |   |
| 3900                         | 1.25 gpm (4.73 liter/min)   |
| 5900/5900HD                  | 1.60 gpm (6.06 liter/min)   |
| 7900                         | 2.20 gpm (8.33 liter/min)   |
| Maximum tip size             |   |
| 3900                         | 1 gun with 0.036 in. tip  |
|                              | 2 guns with 0.023 in. tip   |
|                              | 3 guns with 0.018 in. tip   |
| 5900/5900HD                  | 1 gun with 0.043 in. tip  |
|                              | 2 guns with 0.029 in. tip   |
|                              | 3 guns with 0.023 in. tip   |
| 7900                         | 4 guns with 0.019 in. tip   |
|                              | 1 gun with 0.048 in. tip  |
|                              | 2 guns with 0.035 in. tip   |
|                              | 3 guns with 0.027 in. tip   |
| Inlet paint strainer         | 4 guns with 0.023 in. tip   |
|                              | 12 mesh (893 micron)<br>stainless steel screen, reusable  |
| Outlet paint filter          | 60 mesh (250 micron)<br>stainless steel screen, reusable  |
|                              | Pump inlet size   |
| Fluid outlet size: 3900/5900 | ¼ npsm from fluid filter  |
| Fluid outlet size: 7900      | 3/8 npsm from fluid filter  |
| Wetted parts                 | zinc-plated carbon steel, PTFE, nylon, polyurethane, UHMW polyethylene, fluoroelastomer, acetal, leather, aluminum, tungsten carbide, nickel- and zinc-plated carbon steel, stainless steel, chrome plating |

## Dimensions

| Sprayer<br>(no hose and gun) | Weight lb (kg) | Height in. (cm) | Width in. (cm) | Length in. (cm) |
|------------------------------|----------------|-----------------|----------------|-----------------|
| 3900                         | 109 (50)       | 31.5 (80.0)     | 22.25 (56.5)   | 32.0 (81.3)     |
| 5900                         | 139 (64)       | 32.25 (81.9)    | 24.5 (62.2)    | 32.25 (81.9)    |
| 7900                         | 146 (67)       | 32.25 (81.9)    | 24.5 (62.2)    | 33.0 (83.8)     |
| TexSpray 7900HD              | 157 (71)       | 32.25 (81.9)    | 24.5 (62.2)    | 33.0 (83.8)     |

# Graco Standard Warranty

Graco warrants all equipment referenced in this document which is manufactured by Graco and bearing its name to be free from defects in material and workmanship on the date of sale to the original purchaser for use. With the exception of any special, extended, or limited warranty published by Graco, Graco will, for a period of twelve months from the date of sale, repair or replace any part of the equipment determined by Graco to be defective. This warranty applies only when the equipment is installed, operated and maintained in accordance with Graco's written recommendations.

This warranty does not cover, and Graco shall not be liable for general wear and tear, or any malfunction, damage or wear caused by faulty installation, misapplication, abrasion, corrosion, inadequate or improper maintenance, negligence, accident, tampering, or substitution of non-Graco component parts. Nor shall Graco be liable for malfunction, damage or wear caused by the incompatibility of Graco equipment with structures, accessories, equipment or materials not supplied by Graco, or the improper design, manufacture, installation, operation or maintenance of structures, accessories, equipment or materials not supplied by Graco.

This warranty is conditioned upon the prepaid return of the equipment claimed to be defective to an authorized Graco distributor for verification of the claimed defect. If the claimed defect is verified, Graco will repair or replace free of charge any defective parts. The equipment will be returned to the original purchaser transportation prepaid. If inspection of the equipment does not disclose any defect in material or workmanship, repairs will be made at a reasonable charge, which charges may include the costs of parts, labor, and transportation.

Graco's sole obligation and buyer's sole remedy for any breach of warranty shall be as set forth above. The buyer agrees that no other remedy (including, but not limited to, incidental or consequential damages for lost profits, lost sales, injury to person or property, or any other incidental or consequential loss) shall be available. Any action for breach of warranty must be brought within two (2) years of the date of sale.

**GRACO MAKES NO WARRANTY, AND DISCLAIMS ALL IMPLIED WARRANTIES OF MERCHANTABILITY AND FITNESS FOR A PARTICULAR PURPOSE, IN CONNECTION WITH ACCESSORIES, EQUIPMENT, MATERIALS OR COMPONENTS SOLD BUT NOT MANUFACTURED BY GRACO.** These items sold, but not manufactured by Graco (such as electric motors, switches, hose, etc.), are subject to the warranty, if any, of their manufacturer. Graco will provide purchaser with reasonable assistance in making any claim for breach of these warranties.

In no event will Graco be liable for indirect, incidental, special or consequential damages resulting from Graco supplying equipment hereunder, or the furnishing, performance, or use of any products or other goods sold hereto, whether due to a breach of contract, breach of warranty, the negligence of Graco, or otherwise.

## **FOR GRACO CANADA CUSTOMERS**

The Parties acknowledge that they have required that the present document, as well as all documents, notices and legal proceedings entered into, given or instituted pursuant hereto or relating directly or indirectly hereto, be drawn up in English. Les parties reconnaissent avoir convenu que la rédaction du présente document sera en Anglais, ainsi que tous documents, avis et procédures judiciaires exécutés, donnés ou intentés, à la suite de ou en rapport, directement ou indirectement, avec les procédures concernées.

## **ADDITIONAL WARRANTY COVERAGE**

Graco does provide extended warranty and wear warranty for products described in the Graco Contractor Equipment Warranty Program.

*TO PLACE AN ORDER*, contact your Graco distributor, or call **1-800-690-2894** to identify the nearest distributor.

All written and visual data contained in this document reflects the latest product information available at the time of publication. Graco reserves the right to make changes at any time without notice.

Original instructions. This manual contains English. MM 310893

**Graco Headquarters:** Minneapolis  
**International Offices:** Belgium, China, Japan, Korea

**GRACO INC. P.O. BOX 1441 MINNEAPOLIS, MN 55440-1441**

**Copyright 2005, Graco inc. is registered to ISO 9001**

[www.graco.com](http://www.graco.com)

2/2005 Rev. 05/2011