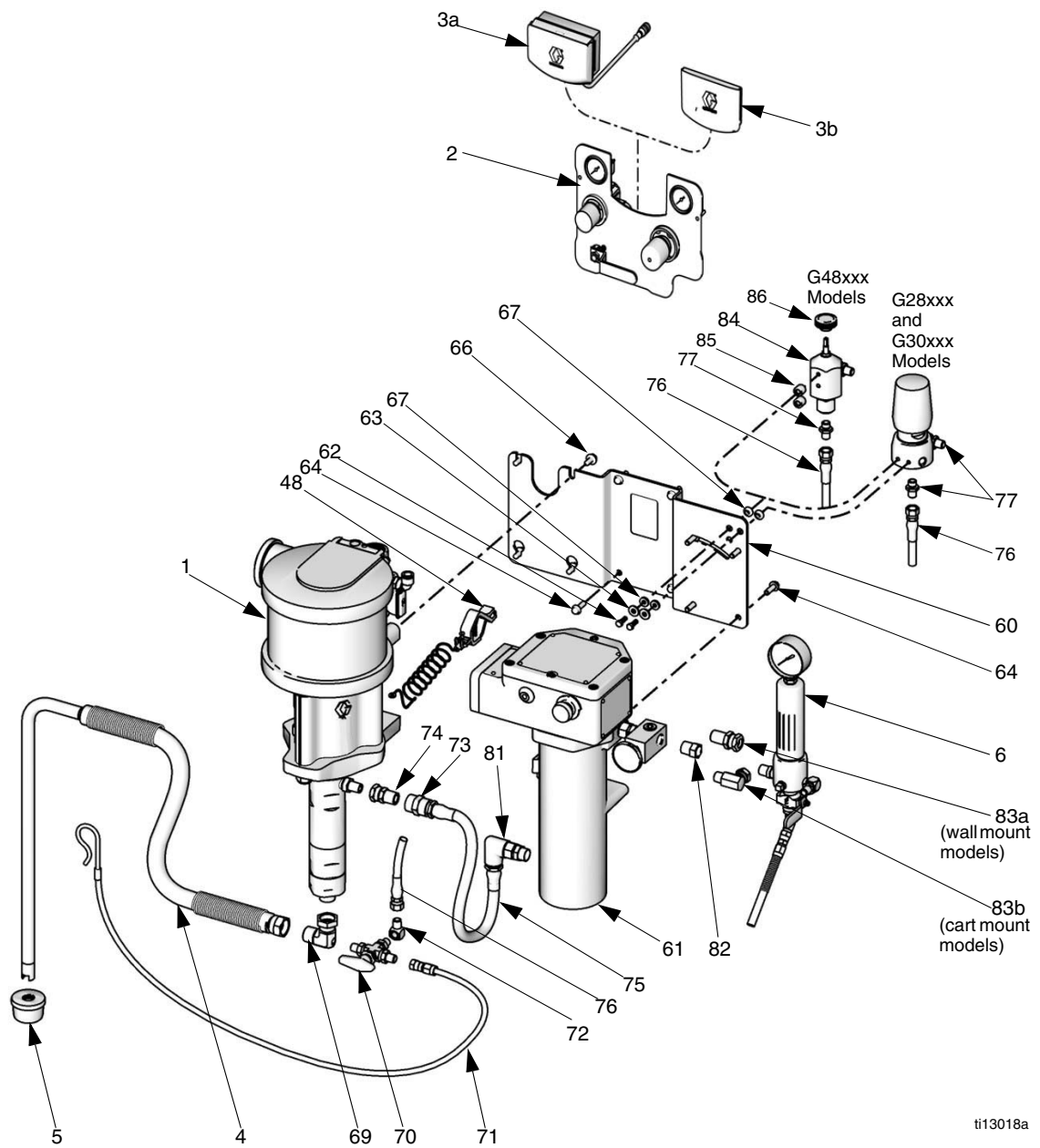


Graco Merkur (Heated)

Parts

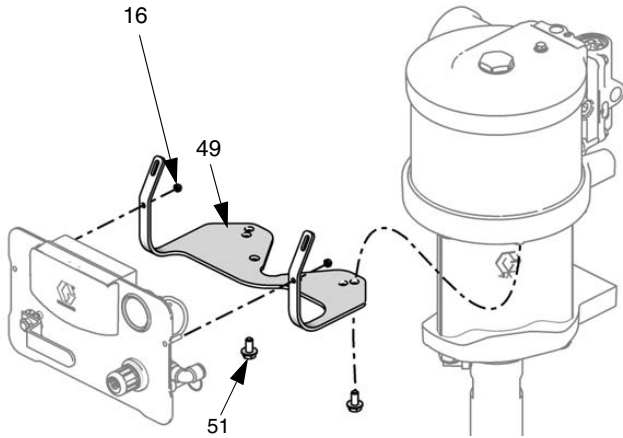
Parts

NOTE: Parts vary by model. See Parts Lists on pages 27 to 29.



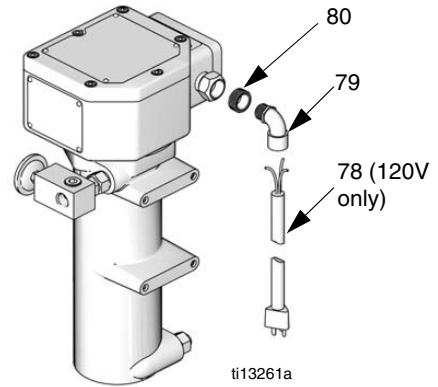
ti13018a

Parts

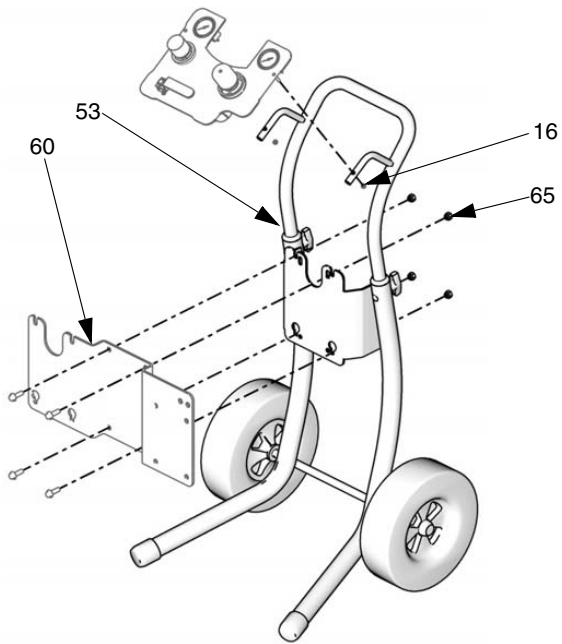


t15484b

Non-Hazardous Location Electrical Cord Parts (120V Cart Mount Only)

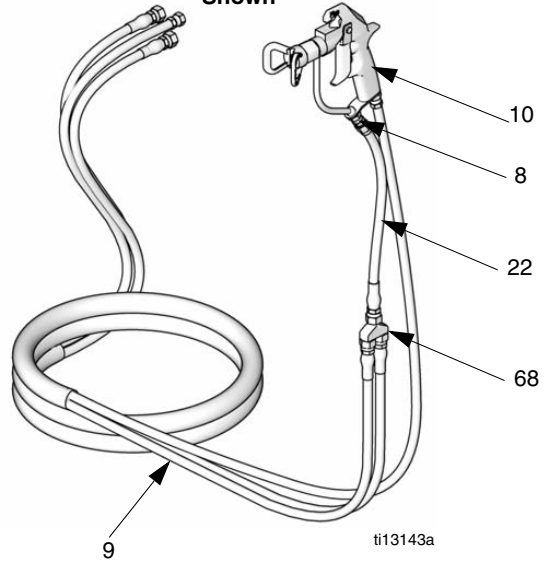


ti13261a



ti13114a

G40 Gun Shown



ti13143a

Parts

G28xxx Models

| Ref. No. | Part No. | Description | Qty. |
|----------|------------------|--|------|
| 1 | W28EAS W28EBS | PUMP ASSEMBLY M18LN0 x LW125A M18LT0 x LW125A | 1 |
| 2 | 24A583 24A581 | PANEL, air controls Pump only, <i>see page 32</i> Pump and gun, <i>see page 31</i> | 1 |
| 3a | 24A576 | DATATRAK, assembly, <i>see manual 313541</i> . | 1 |
| 3b | ----- | INSERT, panel (included with Part 2) | 1 |
| 4 | 256422 | HOSE, suction, assembly (includes Part 5) | 1 |
| 5 | ----- | STRAINER, suction (included with Part 4) | 1 |
| 6 | 239300 | FILTER, fluid, sst, <i>see manual 307273</i> | 1 |
| 8 | 189018 | SWIVEL, fluid hose (packages with AA gun) | 1 |
| 9 | 239342 239311 | HOSE BUNDLE Packages with XTR gun Packages with G40 gun | 1 |
| 10 | XTR501 24C855 | GUN XTR 5 G40 | 1 |
| 11 | AAM413 | GUN TIP (not shown, packages with G40 gun) | 1 |
| 12 | AAMxxx | TIP OPTION (not shown, packages with G40 gun) | 1 |
| 16 | ----- | NUT, lock, M5 x 0.08 (included with Part 49) | 2 |
| 22 | 239069 | HOSE, fluid, whip, 2 ft (0.6 m) | 1 |
| 32 | ----- | COVER, gauge, not shown, 12 per sheet (see page 31 for package of 5 sheets) | 1 |
| 48 | 238909 | GROUND WIRE, pump | 1 |
| 49 | 24E883 | AIR CONTROLS MOUNTING KIT, wall mount, (includes 16 and 51) | 1 |
| 51 | ----- | SCREW, hex head, M8 x 16 mm (included with Part 49) | 2 |
| 53 | 256427 | CART MOUNTING KIT, <i>see page 30</i> (GxxCxx models only) | 1 |
| 54 | 24A578 | WALL MOUNTING KIT, <i>see page 30</i> (GxxWxx models only) | 1 |
| 60 | 24A590 | BRACKET, heated, kit, includes 64, 65, and 66) | 1 |
| 61 | 245848 245863 | HEATER, fluid 120V, <i>see manual 309524</i> 240V, <i>see manual 309524</i> | 1 |
| 62 | 100022 | CAPSCREW, hex hd, 1/4-20 x 3/4 in. (19mm) | 2 |
| 63 | 100527 | WASHER, 1/4 in. | 2 |
| 64 | ----- | SCREW, M8 x 25 | 8 |
| 65 | ----- | NUT | 4 |
| 66 | ----- | SCREW, M8 x 1.25 | 4 |
| 67 | 167002 | INSULATOR, heat | 4 |

| Ref. No. | Part No. | Description | Qty. |
|----------|------------------|---|------|
| 68 | 239864 | MANIFOLD, recirculating, 1/4 npsm | 1 |
| 69 | 15V521 | UNION, swivel | 1 |
| 70 | 113834 | BALL VALVE, 3 way, 1/4 npt(m), sst | 1 |
| 71 | 239062 | HOSE, drain, nylon, sst fittings, 1/4 in. (6 mm) ID; 1/4 npsm(f) | 1 |
| 72 | 166866 | ELBOW, 1/4 npt (m x f), sst | 2 |
| 73 | 117627 | FITTING, coupler | 1 |
| 74 | 114190 | UNION, swivel | 1 |
| 75 | 239153 | HOSE, fluid, nylon, sst fittings; 1/2 in (13 mm) ID, 1/2 npt (mbe), 19.5 in. (0.5 m) long | 1 |
| 76 | 239108 | HOSE, fluid, recirculation | 1 |
| 77 | 166846 | ADAPTER, 1/4-18 npsm x 1/4-18 npt | 3 |
| 78 | 15W730 | CORD, electrical (120V cart mount packages only) | 1 |
| 79 | 112408 | STRAIN RELIEF, 90° (120V cart mount packages only) | 1 |
| 80 | 107219 185065 | BUSHING For use with supplied cord (120V cart mount packages only), 3/4 npt(m) x 1/2 nptf Supplied with heater for conduit applications | 1 |
| 81 | 113934 | UNION, swivel, heater inlet, 90°, sst, 1/2 npt(fbe) | 1 |
| 82 | 502265 | BUSHING, reducer, pipe | 1 |
| 83a | 235207 | UNION, swivel, sst, 3/8 npt(m) x 3/8 npsm(f), wall mount packages only | 1 |
| 83b | 207123 | UNION, swivel, 90°, cart mount packages only | 1 |
| 84 | 238926 | REGULATOR, back pressure, sst, <i>see manual 306860</i> | 1 |

----- Not sold separately.

NOTE: Replacement Warning labels, signs, tags, and cards are available at no cost.

Parts

G30xxx Models

| Ref. No. | Part No. | Description | Qty. |
|----------|------------------|--|------|
| 1 | W30CAS W30CBS | PUMP ASSEMBLY M12LNO x LW075A M12LT0 x LW075A | 1 |
| 2 | 24A583 24A581 | PANEL, air controls (includes 3b, 42, and 43) Pump only, <i>see page 32</i> Pump and gun, <i>see page 31</i> | 1 |
| 3a | 24A576 | DATATRAK, assembly, <i>see manual 313541</i> | 1 |
| 3b | ----- | INSERT, panel (included with Part 2) | 1 |
| 4 | 256423 | HOSE, suction, assembly (includes Part 5) | 1 |
| 5 | ----- | STRAINER, suction (included with Part 4) | 1 |
| 6 | 239300 | FILTER, fluid, sst, <i>see manual 307273</i> | 1 |
| 8 | 189018 | SWIVEL, fluid hose (packages with AA gun) | 1 |
| 9 | 239342 239311 | HOSE BUNDLE Packages with XTR gun Packages with G40 gun | 1 |
| 10 | XTR501 24C855 | GUN XTR 5 G40 | 1 |
| 11 | AAM413 | GUN TIP (not shown, packages with G40 gun) | 1 |
| 12 | AAMxxx | TIP OPTION (not shown, packages with G40 gun) | 1 |
| 16 | ----- | NUT, lock, M5 x 0.08 (included with Part 49) | 2 |
| 22 | 239069 | HOSE, fluid, whip, 2 ft (0.6 m) | 1 |
| 32 | ----- | COVER, gauge, not shown, 12 per sheet (see page 31 for package of 5 sheets) | 1 |
| 48 | 238909 | GROUND WIRE, pump | 1 |
| 49 | 24E883 | AIR CONTROLS MOUNTING KIT, wall mount, (includes 16 and 51) | 1 |
| 51 | ----- | SCREW, hex head, M8 x 16 mm (included with Part 49) | 2 |
| 53 | 256427 | CART MOUNTING KIT, <i>see page 30</i> (GxxCxx models only) | 1 |
| 54 | 24A578 | WALL MOUNTING KIT, <i>see page 30</i> (GxxWxx models only) | 1 |
| 60 | 24A590 | BRACKET, heated, kit, includes 64, 65, and 66) | 1 |
| 61 | 245848 245863 | HEATER, fluid 120V, <i>see manual 309524</i> 240V, <i>see manual 309524</i> | 1 |
| 62 | 100022 | CAPSCREW, hex hd, 1/4-20 x 3/4 in. (19mm) | 2 |
| 63 | 100527 | WASHER, 1/4 in. | 2 |
| 64 | ----- | SCREW, M8 x 25 | 8 |
| 65 | ----- | NUT | 4 |
| 66 | ----- | SCREW, M8 x 1.25 | 4 |

| Ref. No. | Part No. | Description | Qty. |
|----------|------------------|---|------|
| 67 | 167002 | INSULATOR, heat | 4 |
| 68 | 239864 | MANIFOLD, recirculating, 1/4 npsm | 1 |
| 69 | 15V522 | UNION, swivel | 1 |
| 70 | 113834 | BALL VALVE, 3 way, 1/4 npt(m), sst | 1 |
| 71 | 239062 | HOSE, drain, nylon, sst fittings, 1/4 in. (6 mm) ID; 1/4 npsm(f) | 1 |
| 72 | 166866 | ELBOW, 1/4 npt (m x f), sst | 2 |
| 73 | 117627 | FITTING, coupler | 1 |
| 74 | 236892 | UNION, swivel | 1 |
| 75 | 239153 | HOSE, fluid, nylon, sst fittings; 1/2 in (13 mm) ID, 1/2 npt (mbe), 19.5 in. (0.5 m) long | 1 |
| 76 | 239108 | HOSE, fluid, recirculation | 1 |
| 77 | 166846 | ADAPTER, 1/4-18 npsm x 1/4-18 npt | 3 |
| 78 | 15W730 | CORD, electrical (120V cart mount packages only) | 1 |
| 79 | 112408 | STRAIN RELIEF, 90° (120V cart mount packages only) | 1 |
| 80 | 107219 185065 | BUSHING For use with supplied cord (120V cart mount packages only), 3/4 npt(m) x 1/2 nptf Supplied with heater for conduit applications | 1 |
| 81 | 113934 | UNION, swivel, heater inlet, 90°, sst, 1/2 npt(fbe) | 1 |
| 82 | 502265 | BUSHING, reducer, pipe | 1 |
| 83a | 235207 | UNION, swivel, sst, 3/8 npt(m) x 3/8 npsm(f), wall mount packages only | 1 |
| 83b | 207123 | UNION, swivel, 90°, cart mount packages only | 1 |
| 84 | 238926 | REGULATOR, back pressure, sst, <i>see manual 306860</i> | 1 |

----- Not sold separately.

NOTE: Replacement Warning labels, signs, tags, and cards are available at no cost.

Parts

G48Wxx Models

| Ref. No. | Part No. | Description | Qty. |
|----------|------------------|--|------|
| 1 | W48CAS W48CBS | PUMP ASSEMBLY M18LNO x LW075A M18LT0 x LW075A | 1 |
| 2 | 24A581 | PANEL, air controls, pump and gun (includes 3b, 42, and 43; see page 31) | 1 |
| 3a | 24A576 | DATATRAK, assembly, see manual 313547 | 1 |
| 3b | ----- | INSERT, panel (included with Part 2) | 1 |
| 16 | ----- | NUT, lock, M5 x 0.08 (included with Part 49) | 2 |
| 32 | ----- | COVER, gauge, not shown, 12 per sheet (see page 31 for package of 5 sheets) | 1 |
| 48 | 238909 | GROUND WIRE, pump | 1 |
| 49 | 24E883 | AIR CONTROLS MOUNTING KIT, wall mount, (includes 16 and 51) | 1 |
| 51 | ----- | SCREW, hex head, M8 x 16 mm (included with Part 49) | 2 |
| 54 | 24A578 | WALL MOUNTING KIT, see page 30 | 1 |
| 60 | 24A590 | BRACKET, heated, kit, includes 64, 65, and 66) | 1 |
| 61 | 245848 | HEATER, fluid, 120V, see manual 309524 | 1 |
| 62 | 100014 | CAPSCREW, hex hd, 1/4-20 x 1.25 in. (31 mm) | 2 |

| Ref. No. | Part No. | Description | Qty. |
|----------|----------|---|------|
| 63 | 100527 | WASHER, 1/4 in. | 2 |
| 64 | ----- | SCREW, M8 x 25 | 8 |
| 65 | ----- | NUT | 4 |
| 66 | ----- | SCREW, M8 x 1.25 | 4 |
| 67 | 167002 | INSULATOR, heat | 4 |
| 69 | 15V522 | UNION, swivel | 1 |
| 70 | 113834 | BALL VALVE, 3 way, 1/4 npt(m), sst | 1 |
| 71 | 239062 | HOSE, drain, nylon, sst fittings, 1/4 in. (6 mm) ID; 1/4 npsm(f) | 1 |
| 72 | 166866 | ELBOW, 1/4 npt (m x f), sst | 2 |
| 74 | 236892 | UNION, swivel | 1 |
| 75 | 24C406 | HOSE, fluid, nylon, sst fittings; 1/2 in (13 mm) ID, 1/2-14 nps(m), 3 ft (0.9 m) long | 1 |
| 76 | 239108 | HOSE, fluid, recirculation | 1 |
| 77 | 112494 | ADAPTER, 3/8-18 nps(m) x 1/4-18 npt | 1 |
| 81 | 114874 | UNION, swivel, heater inlet, 90°, sst, 1/2-14 nps(m) x 1/2-14 npt | 1 |
| 82 | 502265 | BUSHING, reducer, pipe | 1 |
| 84 | 222200 | VALVE, back pressure, sst; see manual 307892 | 1 |
| 85 | 16A619 | SPACER | 2 |
| 86 | 114593 | KNOB | 1 |

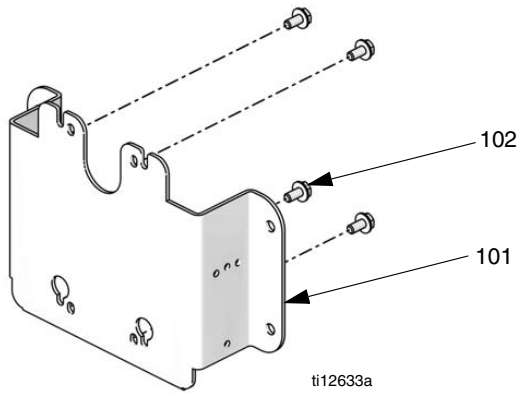
----- Not sold separately.

NOTE: Replacement Warning labels, signs, tags, and cards are available at no cost.

Kits

Kits

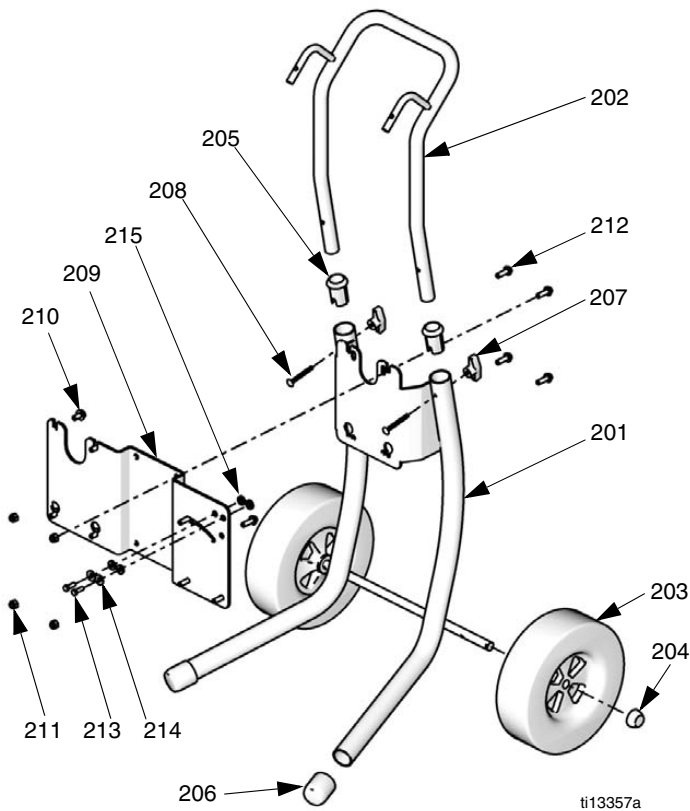
Wall Mount Kit 24A578



| Ref No. | Description | Qty. |
|---------|----------------------------------|------|
| 101 | WALL PLATE, kit, includes screws | 1 |
| 102 | SCREW (included with 101) | 4 |

NOTE: Air Controls Mounting Kit 24E883 (Part 49, see page 27, 28, or 29) also is required for wall mounting a package that has a control panel.

Heated Cart Mount Kit 256427

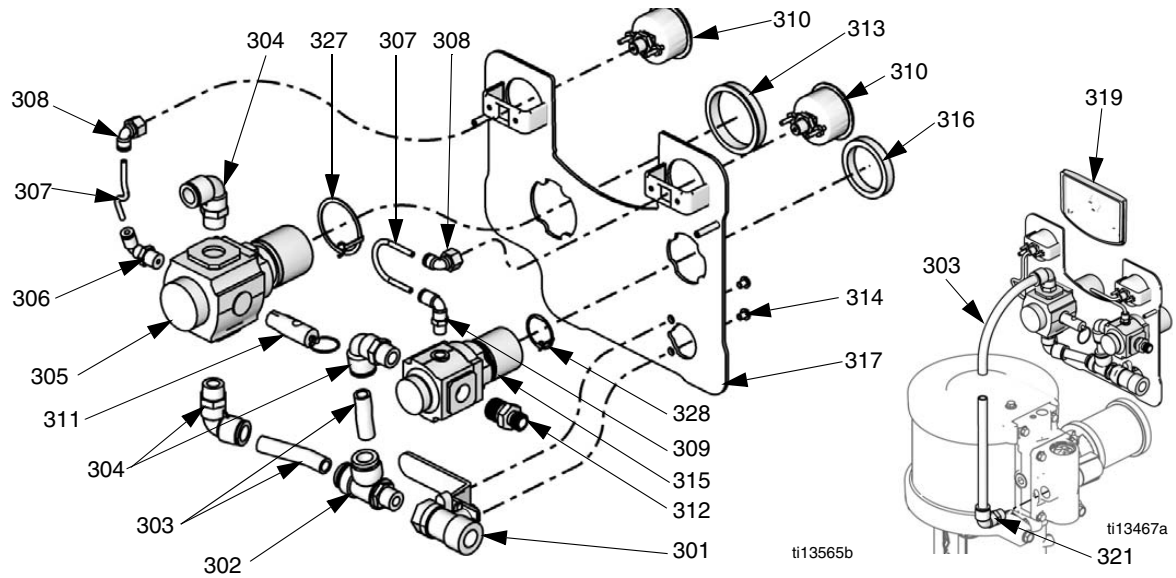


| Ref No. | Part No. | Description | Qty. |
|---------|----------|-------------------------|------|
| 201 | ---- | CART, frame | 1 |
| 202 | ---- | HANDLE, cart | 1 |
| 203 | 119451 | WHEEL, semi-pneumatic | 2 |
| 204 | 119452 | CAP, hub | 2 |
| 205 | ---- | SLEEVE, cart handle | 1 |
| 206 | 15C871 | CAP, leg | 2 |
| 207 | 115480 | KNOB, t-handle | 2 |
| 208 | 116630 | SCREW, carriage | 2 |
| 209 | ---- | BRACKET, heater, cart | 1 |
| 210 | 111799 | SCREW, cap, hex head | 4 |
| 211 | 104541 | NUT, lock | 4 |
| 212 | 115643 | SCREW, hex, washer head | 8 |
| 213 | 100022 | SCREW, cap, hex head | 2 |
| 214 | 100527 | WASHER, plain | 2 |
| 215 | 167002 | INSULATOR, heat | 4 |

---- Not sold separately.

Kits

Pump and Gun Control Panel Kit



ti13565b

Kit 24A581

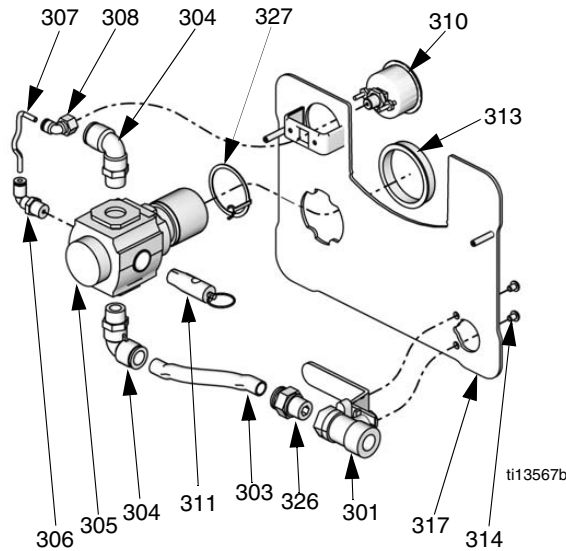
| Ref. | Part | Description | Qty. |
|------|--------|---|---------|
| 301 | 114362 | VALVE, ball | 1 |
| 302 | 15T643 | SWIVEL, tee, 3/8 npt(m) x 1/2T | 1 |
| 303 | ---- | TUBE, 1/2 OD, cut to fit, order Tubing Kit 24D496 | 1.3 ft. |
| 304 | 121212 | ELBOW, swivel, 1/2T x 3/8 npt(m) | 3 |
| 305 | 15T536 | REGULATOR, air, pump, 3/8 npt | 1 |
| 306 | ---- | ELBOW, swivel, 5/32 T x 1/4 npt | 1 |
| 307 | ---- | TUBE, black, cut to fit, order Tubing Kit 24D496 | 4 in. |
| 308 | 15T498 | SWIVEL, 90°, 5/32T x 1/8 npt(f) | 2 |
| 309 | 15T866 | ELBOW, swivel, 5/32T x 1/8 npt | 1 |
| 310 | 15T500 | GAUGE, pressure | 2 |
| 311 | 113498 | VALVE, safety | 1 |
| 312 | 164672 | ADAPTER | 1 |
| 313 | 15T538 | NUT, regulator | 1 |
| 314 | 114381 | SCREW, cap, button head | 2 |
| 315 | 15T539 | REGULATOR, air, gun, 3/8 npt | 1 |
| 316 | 116514 | NUT, regulator | 1 |
| 317 | ---- | PANEL | 1 |
| 318 | ---- | LABEL, panel (not shown) | 1 |
| 319 | ---- | INSERT | 1 |
| 320 | 105332 | NUT, lock (not shown) | 2 |
| 321 | 15V204 | ELBOW, 1/2T x 1/2 npt | 1 |
| 322 | ---- | COVER, lens, 12 sticker sheet (not shown), order Kit 24A540 for 5 sheets | 1 |
| 327 | 16P814 | RING, grounding | 1 |
| 328 | 16P813 | RING, grounding | 1 |

313255N

31

Kits

Pump Only Control Panel Kit



Kit 24A583

| Ref. Part | Description | Qty. |
|------------|--|---------|
| 301 114362 | VALVE, ball | 1 |
| 303 ----- | TUBE, 1/2 OD, cut to fit, order Tubing Kit 24D496 | 1.5 ft. |
| 304 121212 | ELBOW, swivel, 1/2T x 3/8 npt(m) | 2 |
| 305 15T536 | REGULATOR, air, 3/8 npt | 1 |
| 306 ----- | ELBOW, swivel, 5/32 T x 1/4 npt | 1 |
| 307 ----- | TUBE, black, cut to fit, order Tubing Kit 24D496 | 5 in. |
| 308 15T498 | SWIVEL, 90°, 5/32T x 1/8 npt(f) | 1 |
| 310 15T500 | GAUGE, pressure | 1 |
| 311 113498 | VALVE, safety | 1 |
| 313 15T538 | NUT, regulator | 1 |
| 314 114381 | SCREW, cap, button head | 2 |
| 317 ----- | PANEL | 1 |
| 318 ----- | LABEL, panel (not shown) | 1 |
| 319 ----- | INSERT (see inset illustration on page 31) | 1 |
| 320 105332 | NUT, lock (not shown) | 2 |
| 321 ----- | ELBOW, 1/2T x 1/2 npt (see inset illustration on page 31) | 1 |
| 322 ----- | COVER, lens, 12 sticker sheet (not shown), order Kit 24A540 for 5 sheets | 1 |
| 326 ----- | FITTING, straight, 1/2T x 3/8 npt(m) | 1 |
| 327 16P814 | RING, grounding | 1 |

Kits

DataTrak

NOTE: See DataTrak manual, 313541, for all DataTrak related part numbers and kit information, including the reed switch and solenoid.

PTFE Suction Hose Kits

For pumping acid materials that are compatible with PTFE. Includes suction hose, swivel, and strainer.

| Kit | Description | Wall/Cart |
|---------------|--|------------------|
| 24B424 | 3/4 in. hose, PTFE lined, with straight swivel | Wall |
| 24B425 | 1 in. hose, PTFE lined, with straight swivel | Wall |