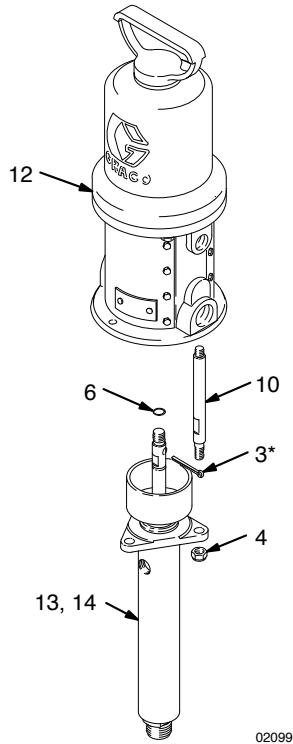


Graco Monark & President Pump Only

**Parts**



**Model 223596, Series B,  
23:1 Ratio CST Monark® Pump (shown)**  
*includes items 3, 4, 6, 10, 12, and 13*

**Model 237958, Series B,  
23:1 Ratio SST Monark® Pump**  
*includes items 3, 4, 6, 10, 12, and 14*

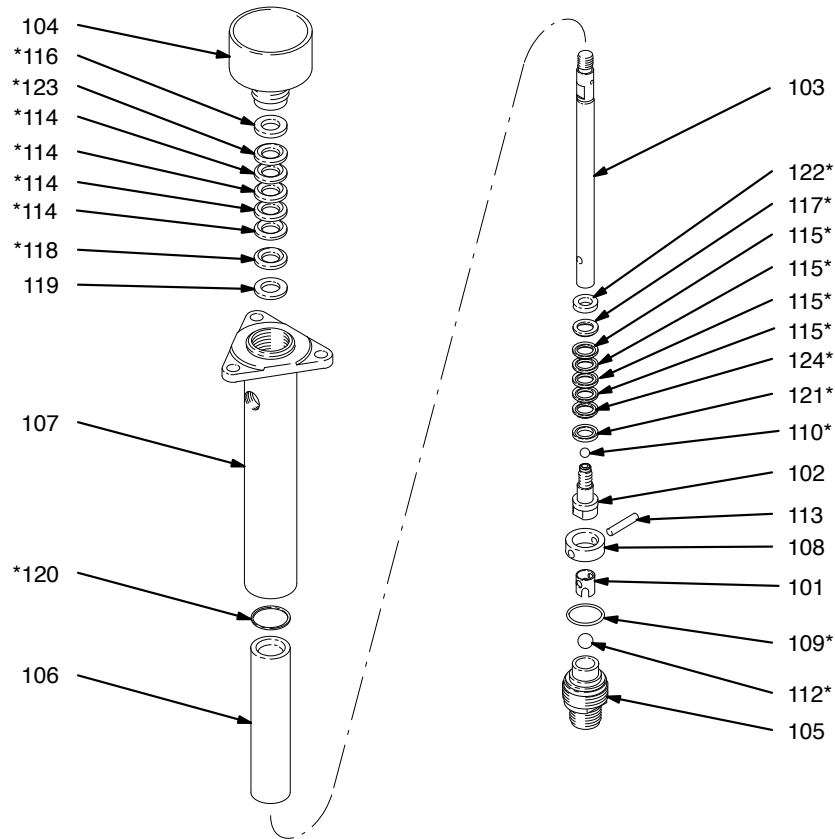
Ref No.	Part No.	Description	Qty
3*	101946	PIN, cotter, stainless steel, 0.12 in. (3.2 mm) x 1.5 in. (38 mm)	1
4	101566	NUT, lock, 3/8-16	3
6	154771	SEAL, o-ring, buna-N	1
10	164722	ROD, tie, carbon steel, 4.375 in. (112 mm) shoulder-to-shoulder	3
12	222791	AIR MOTOR see 307043 for parts	1
13	223595	DISPLACEMENT PUMP ASSY, carbon steel, for pump Model 223596 <i>see page 15 for parts.</i>	1
14	239145	DISPLACEMENT PUMP ASSY, stainless steel, for pump Model 237958 (not shown) <i>see page 17 for parts.</i>	1

\* This part is included in Repair Kit 239328 (Model 223596) or Repair Kit 235636 (Model 237958), which may be purchased separately. See page 15 or page 17 for additional kit parts.

# Parts

## Model 223595, Series D

Carbon steel severe-duty displacement pump with stainless steel glands, intake housing, piston valve, and ball stop



02101A

Ref No.	Part No.	Description	Qty	Ref No.	Part No.	Description	Qty
101	186187	GUIDE, ball, intake, stainless steel	1	114*	164397	V-PACKING, throat, leather	4
102	223591	STUD, piston, stainless steel with tungsten carbide seat	1	115*	184300	V-PACKING, piston, leather	4
103	24C508	ROD, displacement, stainless steel	1	116*	186194	GLAND, throat, female, stainless steel	1
104	206269	PACKING NUT/WET-CUP, CST	1	117*	186195	GLAND, piston, male, stainless steel	1
105	223593	HOUSING, valve, intake, SST with tungsten carbide seat	1	118*	186196	GLAND, throat, male, stainless steel	1
106	24C499	SLEEVE, housing, stainless steel	1	119	186197	WASHER, flat, stainless steel	1
107	207011	HOUSING, outlet, carbon steel	1	120*	164480	GASKET, flat, PTFE	1
108	186183	RETAINER, o-ring, stainless steel	1	121*	186198	GLAND, piston, female, stainless steel	1
109*	165052	O-RING, PTFE	1	122*	186199	RETAINER, packing, stainless steel	1
110*	105444	BALL, 440C stainless steel, 0.31 in. (7.9 mm) dia.	1	123*	164913	V-PACKING, throat, PTFE	1
112*	105445	BALL, 440C stainless steel, 0.5 in. (13 mm) dia.	1	124*	164912	V-PACKING, piston, PTFE	1
113	186179	PIN, ball stop, intake, stainless steel	1	125 ▲	172479	TAG, warning (not shown)	1

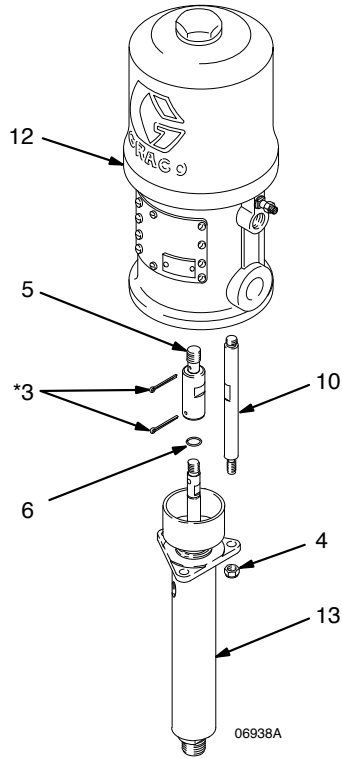
\* These parts are included in Repair Kit 239328, which may be purchased separately. See page 14 for additional parts.

▲ Replacement danger and warning labels, tags, and cards are available for free.

## Parts

### Model 239140, Series A, 46:1 Ratio SST President® Pump

includes items 3, 4, 5, 6, 10, 12, and 13



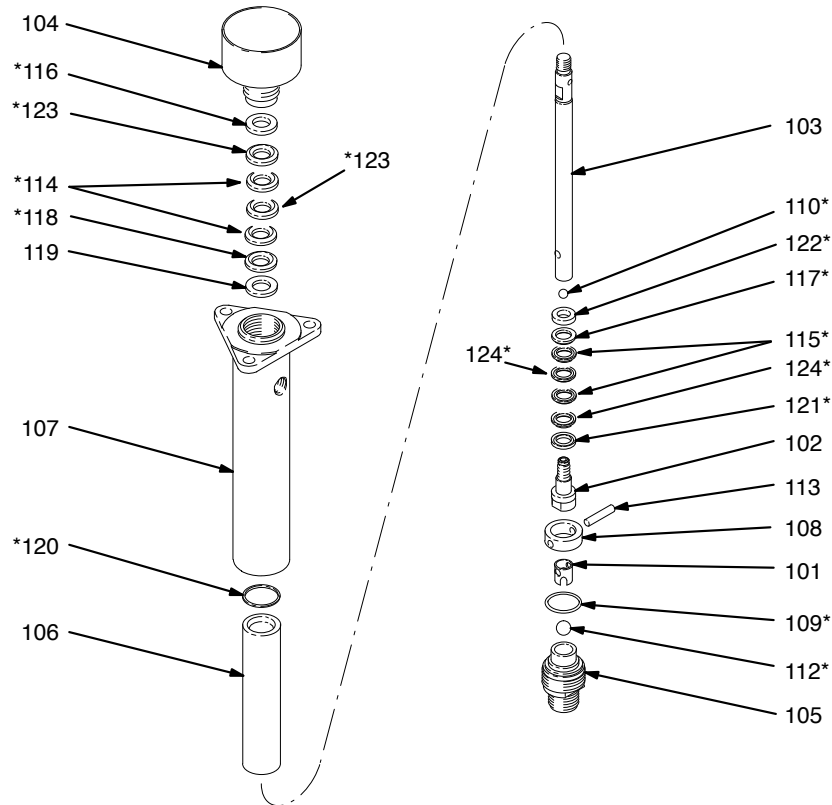
Ref No.	Part No.	Description	Qty
3*	101946	PIN, cotter, stainless steel, 0.12 in. (3.2 mm) x 1.5 in. (38 mm)	2
4	101566	NUT, lock, 3/8-16	3
5	191995	ADAPTER	1
6	154771	SEAL, o-ring, buna-N	1
10	191996	ROD, tie, carbon steel, 6 in. (152 mm) shoulder-to-shoulder	3
12	207352	AIR MOTOR See 306982 for parts	1
13	239145	DISPLACEMENT PUMP ASSY, stainless steel, see page 17 for parts.	1

\* This part is included in Repair Kit 235636, which may be purchased separately. See page 17 for additional kit parts.

# Parts

## Model 239145, Series A

Stainless steel severe-duty displacement pump



06935

Ref No.	Part No.	Description	Qty	Ref No.	Part No.	Description	Qty
101	186187	GUIDE, ball, intake, stainless steel	1	113	186179	PIN, ball stop, intake, stainless steel	1
102	223591	STUD, piston, stainless steel with tungsten carbide seat	1	114*	164397	V-PACKING, throat, leather	2
103	24C508	ROD, displacement, stainless steel	1	115*	164715	V-PACKING, piston, leather	2
104	223590	PACKING NUT/WET-CUP, stainless steel	1	116*	186194	GLAND, throat, female, stainless steel	1
105	223593	HOUSING, valve, intake, stainless steel with tungsten carbide seat	1	117*	186195	GLAND, piston, male, stainless steel	1
106	24C499	SLEEVE, housing, stainless steel	1	118*	186196	GLAND, throat, male, stainless steel	1
107	239137	HOUSING, outlet, stainless steel	1	119	186197	WASHER, flat, stainless steel	1
108	186183	RETAINER, o-ring, stainless steel	1	120*	164480	GASKET, flat, PTFE	1
109*	165052	O-RING, PTFE	1	121*	186198	GLAND, piston, female, stainless steel	1
110*	105444	BALL, 440C SST, 0.31 in. (7.9 mm) dia.	1	122*	186199	RETAINER, packing, stainless steel	1
112*	105445	BALL, 440C SST, 0.5 in. (13 mm) dia.	1	123*	164913	V-PACKING, throat, PTFE	2
				124*	164912	V-PACKING, piston, PTFE	2
				125 ▲	172479	TAG, warning (not shown)	1

\* These parts are included in Repair Kit 235636, which may be purchased separately. See page 16 for additional parts.

▲ Replacement danger and warning labels, tags, and cards are available for free.

## Conversion Kits

### PTFE Conversion Kit 236724

For converting pumps to all PTFE packings. Must be purchased separately.

Part No.	Description	Qty
101946	PIN, cotter, stainless steel	1
101545	PIN, cotter (for old-style ball checks)	1
165052	O-RING, PTFE	1
105444	BALL, 440C stainless steel, 0.31 in. (7.9 mm) dia.	1
105445	BALL, 440C stainless steel, 0.5 in. (13 mm) dia.	1
186194	GLAND, throat, female, stainless steel	1
186195	GLAND, piston, male, stainless steel	1
186196	GLAND, throat, male, stainless steel	1
186198	GLAND, piston, female, stainless steel	1
186199	RETAINER, packing, stainless steel	1
164912	V-PACKING, piston, PTFE	4
164913	V-PACKING, throat, PTFE	4

### UHMWPE/Leather Conversion Kit 223674

For converting pumps to UHMWPE and leather packings. Must be purchased separately.

Part No.	Description	Qty
101946	PIN, cotter, stainless steel	1
101545	PIN, cotter (for old-style ball checks)	1
165052	O-RING, PTFE	1
105444	BALL, 440C stainless steel, 0.31 in. (7.9 mm) dia.	1
105445	BALL, 440C stainless steel, 0.5 in. (13 mm) dia.	1
164397	V-PACKING, throat, leather	2
164715	V-PACKING, piston, leather	2
186194	GLAND, throat, female, stainless steel	1
186195	GLAND, piston, male, stainless steel	1
186196	GLAND, throat, male, stainless steel	1
186198	GLAND, piston, female, stainless steel	1
186199	RETAINER, packing, stainless steel	1
108455	V-PACKING, throat, UHMWPE	2
108456	V-PACKING, piston, UHMWPE	2

### PTFE/Leather Conversion Kit 235636

For converting pumps to PTFE and leather packings. This is the standard repair kit for Model 223595 Displacement Pump, Series C and earlier. Must be purchased separately.

Part No.	Description	Qty
101946	PIN, cotter, stainless steel	1
101545	PIN, cotter (for old-style ball checks)	1
165052	O-RING, PTFE	1
105444	BALL, 440C stainless steel, 0.31 in. (7.9 mm) dia.	1
105445	BALL, 440C stainless steel, 0.5 in. (13 mm) dia.	1
164397	V-PACKING, throat, leather	2
164715	V-PACKING, piston, leather	2
186194	GLAND, throat, female, stainless steel	1
186195	GLAND, piston, male, stainless steel	1
186196	GLAND, throat, male, stainless steel	1
186198	GLAND, throat, male, stainless steel	1
164480	GASKET, PTFE	1
186199	RETAINER, packing, stainless steel	1
164912	V-PACKING, piston, PTFE	2
164913	V-PACKING, throat, PTFE	2

### PTFE/Leather Conversion Kit 239328

For converting pumps to leather packings. Must be purchased separately.

Part No.	Description	Qty
101946	PIN, cotter, stainless steel	1
101545	PIN, cotter (for old-style ball checks)	1
165052	O-RING, PTFE	1
105444	BALL, 440C stainless steel, 0.31 in. (7.9 mm) dia.	1
105445	BALL, 440C stainless steel, 0.5 in. (13 mm) dia.	1
164397	V-PACKING, throat, leather	4
184300	V-PACKING, piston, leather	4
186194	GLAND, throat, female, stainless steel	1
186195	GLAND, piston, male, stainless steel	1
186196	GLAND, throat, male, stainless steel	1
186198	GLAND, piston, female, stainless steel	1
164480	GASKET, PTFE	1
186199	RETAINER, packing, stainless steel	1
164912	V-PACKING, piston, PTFE	1
164913	V-PACKING, throat, PTFE	1