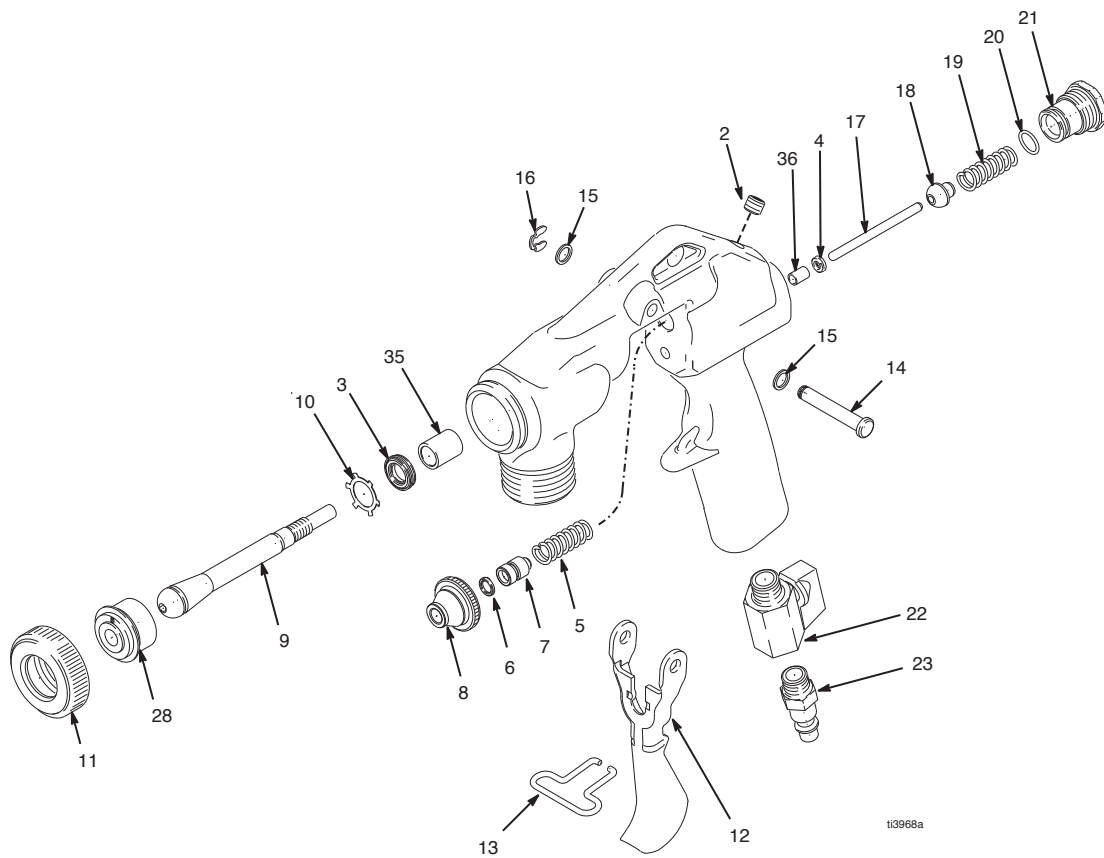


Graco TexSpray Gun

Parts / Pièces / Piezas

Parts / Pièces / Piezas

Gun Model 248091, 248903 - Non-bleeder
Pistolet modèle 248091 – Non purgeur
Pistola modelo 248091 – Sin dispositivo de purga



ti3968a

Parts / Pièces / Piezas

Parts / Pièces / Piezas

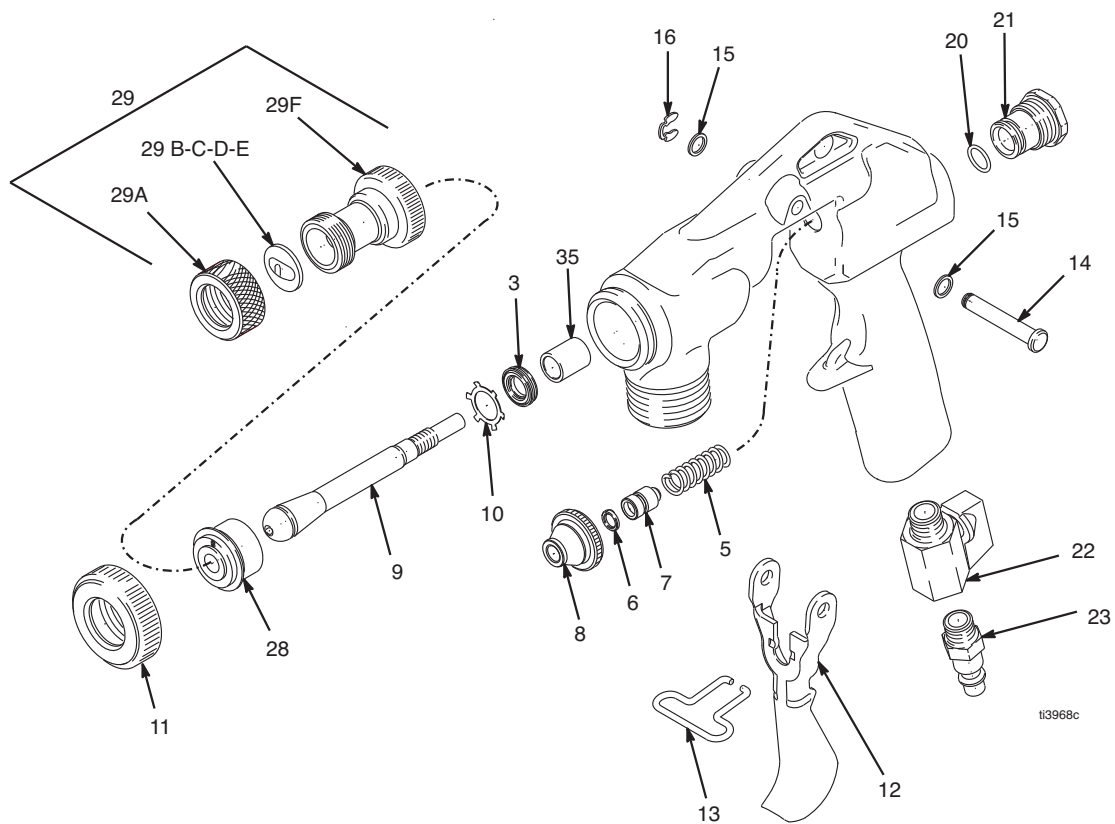
| Item | Part No. | Description | Qty |
|------|----------|--|-----|
| 2 | 103147 | PLUG, pipe | 1 |
| 3 | 15D125 | SEAL, u-cup,.375 dia. shaft | 1 |
| 4 | 15D126 | SEAL, u-cup,.156 dia. shaft | 1 |
| 5 | 118592 | SPRING, compression | 1 |
| 6 | 156454 | PACKING, o-ring | 1 |
| 7 | 15C894 | GUIDE, needle, fluid | 1 |
| 8 | 15B163 | NUT, needle | 1 |
| 9 | 246972 | NEEDLE, fluid, assbly | 1 |
| 10 | 119343 | RING, retaining | 1 |
| 11 | 15B042 | RING, retaining, nozzle | 1 |
| 12 | 15C882 | TRIGGER, gun | 1 |
| 13 | 15D120 | LOCK, trigger | 1 |
| 14 | 118717 | PIN, clevis w groove | 1 |
| 15 | 107243 | WASHER | 2 |
| 16 | 115999 | RING, retaining | 1 |
| 17 | 15C895 | NEEDLE, air valve | 1 |
| 18 | 15D104 | SEAL, air valve | 1 |
| 19 | 108961 | SPRING, compression | 1 |
| 20 | 103610 | PACKING, o-ring | 1 |
| 21 | 15C896 | RETAINER, spring, air valve | 1 |
| 22 | 17H665 | VALVE, ball | 1 |
| 23 | 17K135 | FITTING, line, air | 1 |
| 28 | | NOZZLE | 1 |
| 28a | 15C883 | NOZZLE, texture 3mm | 1 |
| 28b | 15C884 | NOZZLE, texture 4 mm | 1 |
| 28c | 15C885 | NOZZLE, texture 6 mm | 1 |
| 28d | 15C886 | NOZZLE, texture 8 mm | 1 |
| 28e | 15C887 | NOZZLE, texture 10 mm | 1 |
| 28f | 15C888 | NOZZLE, texture 12 mm | 1 |
| 35 | 119183 | BEARING, sleeve, .375 dia. shaft | 1 |
| 36 | 119184 | BEARING, sleeve, 4 mm dia. shaft | 1 |
| 37 | 287228 | KIT, repair, fluid needle, (includes 3, 5, 6, 7, 8, 9, 10, 16, 35) | 1 |
| 38 | 287229 | KIT, repair, air needle (includes 4, 17, 18, 19, 20, 36) | 1 |

Parts / Pièces / Piezas

Parts / Pièces / Piezas

Gun Model 248093 - Bleeder
Pistolet modèle 248093 – Type purgeur
Pistola modelo 248093 – Dispositivo de purga

Gun Model 248094 - Bleeder, with fine finish kit (29)
Pistolet modèle 248094 – Type purgeur, avec kit haute finition (29)
Pistola modelo 248094 – Dispositivo de purga, con kit de acabado fino (29)



Parts / Pièces / Piezas

Parts / Pièces / Piezas

| Item | Part No. | Description | Qty |
|------|----------|--|-----|
| 3 | 15D125 | SEAL, u-cup,.375 dia. shaft | 1 |
| 5 | 118592 | SPRING, compression | 1 |
| 6 | 156454 | PACKING, o-ring | 1 |
| 7 | 15C894 | GUIDE, needle, fluid | 1 |
| 8 | 15B163 | NUT, needle | 1 |
| 9 | 246971 | NEEDLE, fluid, assbly | 1 |
| 10 | 119343 | RING, retaining | 1 |
| 11 | 15B042 | RING, retaining, nozzle | 1 |
| 12 | 15C882 | TRIGGER, gun | 1 |
| 13 | 15D120 | LOCK, trigger | 1 |
| 14 | 118717 | PIN, clevis w groove | 1 |
| 15 | 107243 | WASHER | 2 |
| 16 | 115999 | RING, retaining | 1 |
| 20 | 103610 | PACKING, o-ring | 1 |
| 21 | 15C896 | RETAINER, spring, air valve | 1 |
| 22 | 15B565 | VALVE, ball | 1 |
| 23 | 119394 | FITTING, line, air | 1 |
| 28 | | NOZZLE | 1 |
| 28a | 15C883 | NOZZLE, texture 3mm | 1 |
| 28b | 15C884 | NOZZLE, texture 4 mm | 1 |
| 28c | 15C885 | NOZZLE, texture 6 mm | 1 |
| 28d | 15C886 | NOZZLE, texture 8 mm | 1 |
| 28e | 15C887 | NOZZLE, texture 10 mm | 1 |
| 28f | 15C888 | NOZZLE, texture 12 mm | 1 |
| 29 | 287227 | KIT, fine finish, model 248094 only | 1 |
| 29a | 188354 | NUT, retaining | 1 |
| 29b | 235579 | TIP, disk, spray, 3/16 in. | 1 |
| 29c | 235580 | TIP, disk, spray, 1/4 in. | 1 |
| 29d | 248311 | TIP, disk, spray, 5/16 in. | 1 |
| 29e | 235581 | TIP, disk, spray, 3/8 in. | 1 |
| 29f | 15B189 | ADAPTER | 1 |
| 35 | 119183 | BEARING, sleeve,.375 dia. shaft | 1 |
| 37 | 287338 | KIT, repair, fluid needle (includes, 3, 5, 6, 7, 8, 9, 10, 16, 35) | 1 |