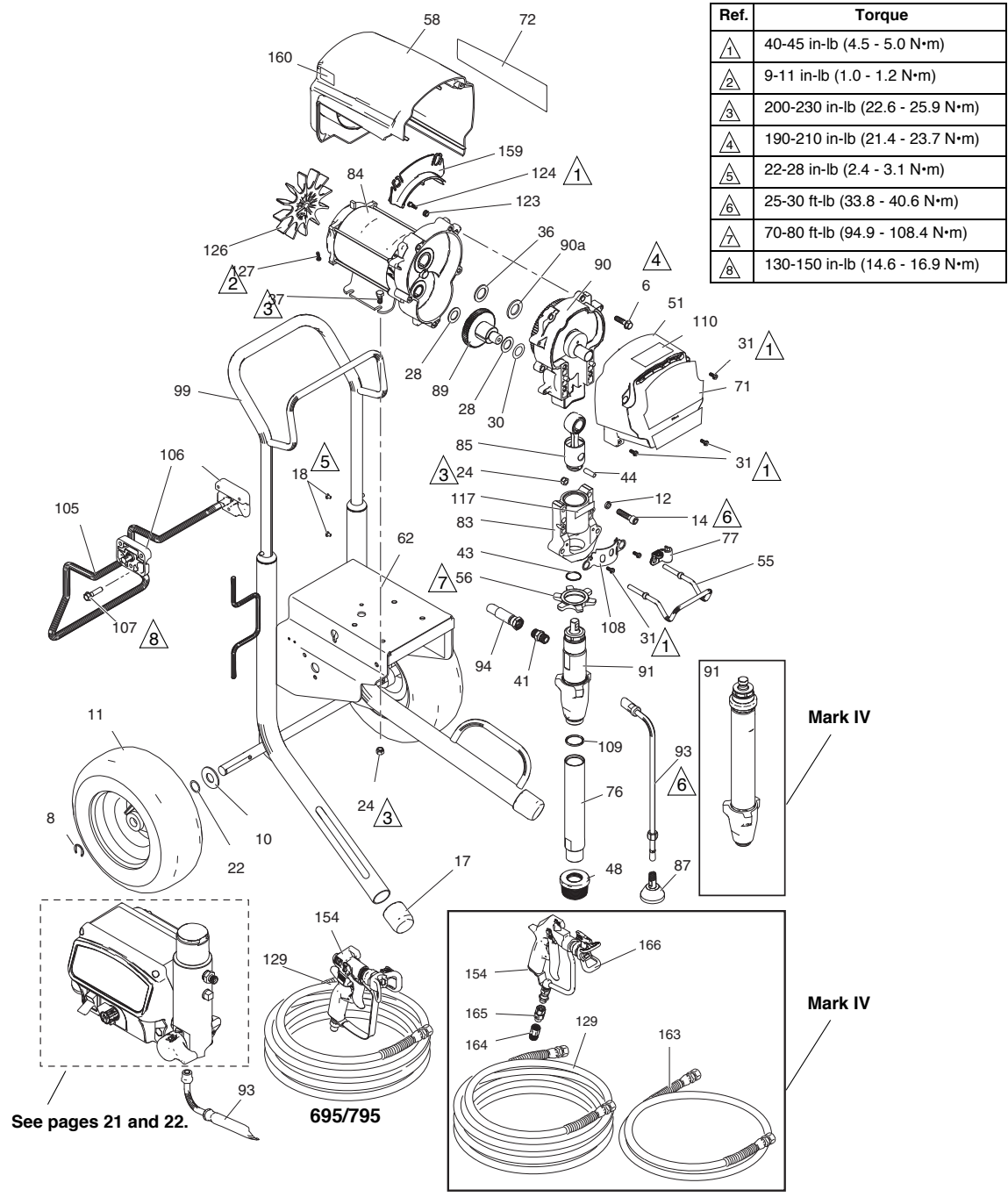


Graco TexSpray Mark IV

695/795/Mark IV Hi-Boy Standard

695/795/Mark IV Hi-Boy Standard



695/795/Mark IV Hi-Boy Standard

695/795/Mark IV Hi-Boy Standard Parts List

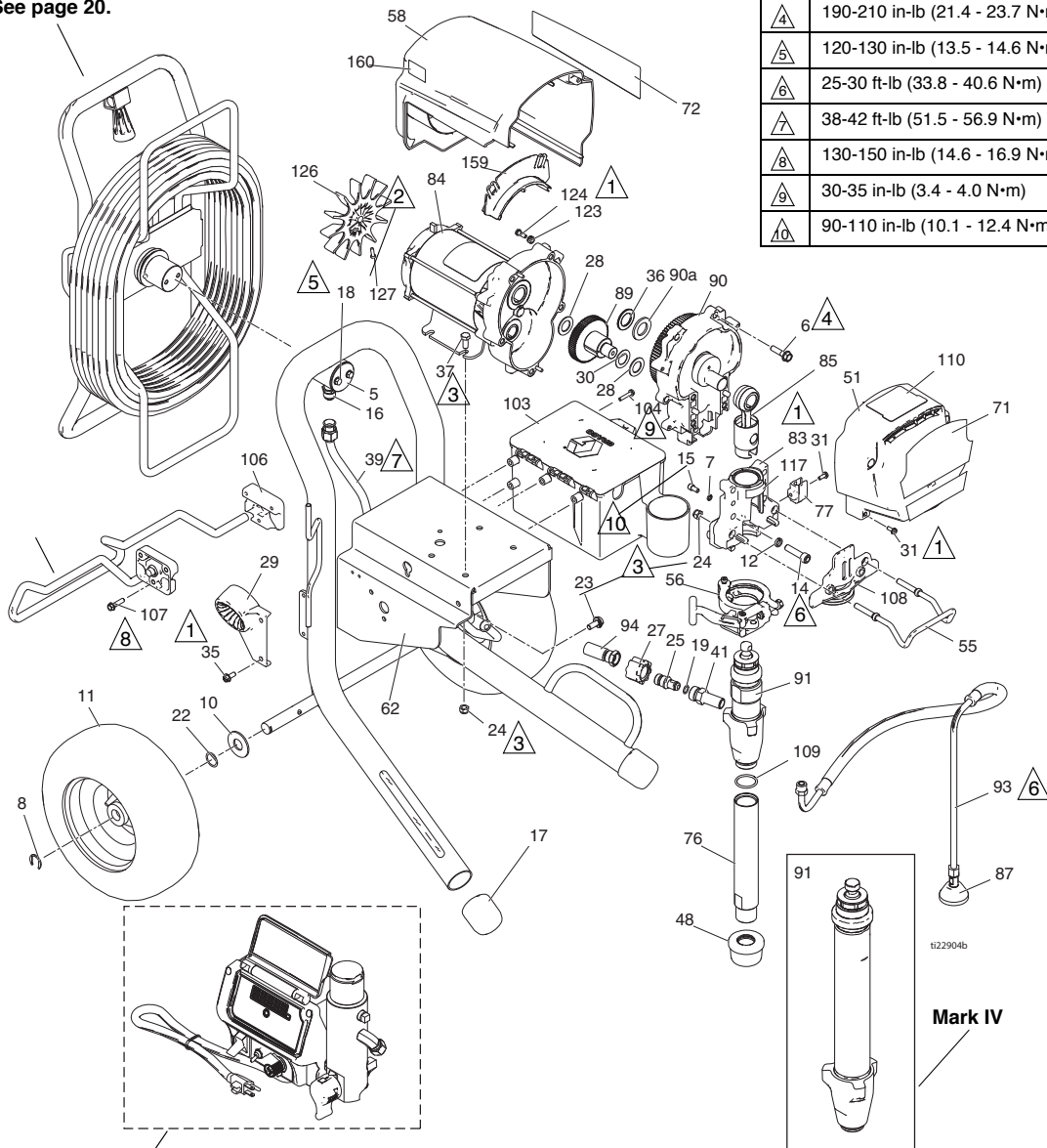
Ref.	Part	Description	Qty.	Ref.	Part	Description	Qty.
6	15C753	SCREW, mach, torx, hex	5	89	287289	GEAR, combination; <i>includes 28, 30</i>	1
8	15E891	CLIP, retaining	2				
10	156306	WASHER, flat	2	90		HOUSING, drive, M1; <i>includes 6, 36, 90a</i>	1
11*	119420	WHEEL, pneumatic	2				
12	106115	WASH, lock, spring	4		287283	695	
14	110141	SCREW, cap, socket hd	4		287284	795/Mark IV	
17	15C871	CAP, leg	2	90a	107089	WASHER, race, thrust	1
18	109032	SCREW, mach, pnh	4	91		PUMP, displacement; <i>includes 41, 109</i>	1
22	116038	WASHER, wave spring	2				
24	111040	NUT, hex, flanged	6		16Y598	695/795	
28	114672	WASHER, thrust	2		16X428	Mark IV	
30	114699	WASHER, thrust	1	93	244240	HOSE, coupled; <i>includes 87</i>	1
31	118444	SCREW, machine, hex washer hd	6	94	16X904	HOSE, coupled, 3/8 x 19.5	1
36	116191	WASHER, thrust	1	99	287489	HANDLE, cart	1
37	100057	SCREW, cap, hex hd	4	105	16X695	HANGER, stand, cart	1
41	196178	FITTING	1	106	15C982	CAM, cart	2
43	176817	SPRING, retaining	1	107	114531	SCREW, mach, hex washer	4
44	176818	PIN, str, hdls	1	108	16X770	SHIELD, pump rod	1
48	189920	STRAINER, (1-11 1/2 NPSM)	1	109	118494	PACKING, o-ring	1
51	24V023	COVER, drive, plastic, painted; <i>includes 31</i>	1	110	16X983	LABEL, Standard Series	1
				117	187437	LABEL, torque	1
55	16C457	HANGER, pail	1	123	276980	GROMMET, cover	2
56	192723	NUT, retaining	1	124	119250	SCREW, shoulder, hex, washer	2
58		SHIELD, motor, painted; <i>includes 123, 124</i>	1	126	15D088	FAN, motor	1
	287281	695		127	115477	SCREW, mach, torx, pan, hd	1
	287282	795/Mark IV		128▲	222385	TAG, WARNING (not shown)	1
62	24Y429	FRAME, cart	1	129		HOSE, cpld	1
71		LABEL	1		240794	695/795 Ultra	
	16X364	Ultra 695			826079	695/795 Ultimate	
	16X367	Ultra 795		154	240797	Mark IV	
	16X786	Ultimate 695				GUN, contractor	1
	16X788	Ultimate 795			288420	695/795	
	16X357	TexSpray Mark IV			246468	Mark IV	
72		LABEL	1	159	278075	BAFFLE	1
	16X365	Ultra 695		160	15Y118	LABEL, Made in USA	1
	16X366	Ultra 795		163	241735	HOSE, coupled, 1/4 in. x 3 ft	1
	16X787	Ultimate 695		164	159841	BUSHING, 3/8 in. x 1/4 in.	1
	16X789	Ultimate 795		165	189018	SWIVEL, assembly	1
	17A135	TexSpray Mark IV		166	246215	GUARD, RAC X	1
76	248214	TUBE, intake; <i>includes 109</i>	1	▲ Extra Danger and Warning tags and labels available free.			
77	278204	CLIP, spring	1	* 253132 KIT, repair, tube			
83	24V026	HOUSING, bearing; <i>includes 12, 14, 24, 31, 55, 77, 108, 117</i>	1				
84		MOTOR, electric; <i>includes 106, 127</i>	1				
	257185	695					
	257186	795/Mark IV					
85	241008	ROD, connecting; <i>includes 43</i>	1				
87	241920	DEFLECTOR, threaded	1				

695/795/MARK IV ProContractor

695/795/MARK IV ProContractor

Ref.	Torque
1	40-45 in-lb (4.5 - 5.0 N·m)
2	9-11 in-lb (1.0 - 1.2 N·m)
3	200-230 in-lb (22.6 - 25.9 N·m)
4	190-210 in-lb (21.4 - 23.7 N·m)
5	120-130 in-lb (13.5 - 14.6 N·m)
6	25-30 ft-lb (33.8 - 40.6 N·m)
7	38-42 ft-lb (51.5 - 56.9 N·m)
8	130-150 in-lb (14.6 - 16.9 N·m)
9	30-35 in-lb (3.4 - 4.0 N·m)
10	90-110 in-lb (10.1 - 12.4 N·m)

See page 20.



See pages 21 and 22.

695/795/MARK IV ProContractor

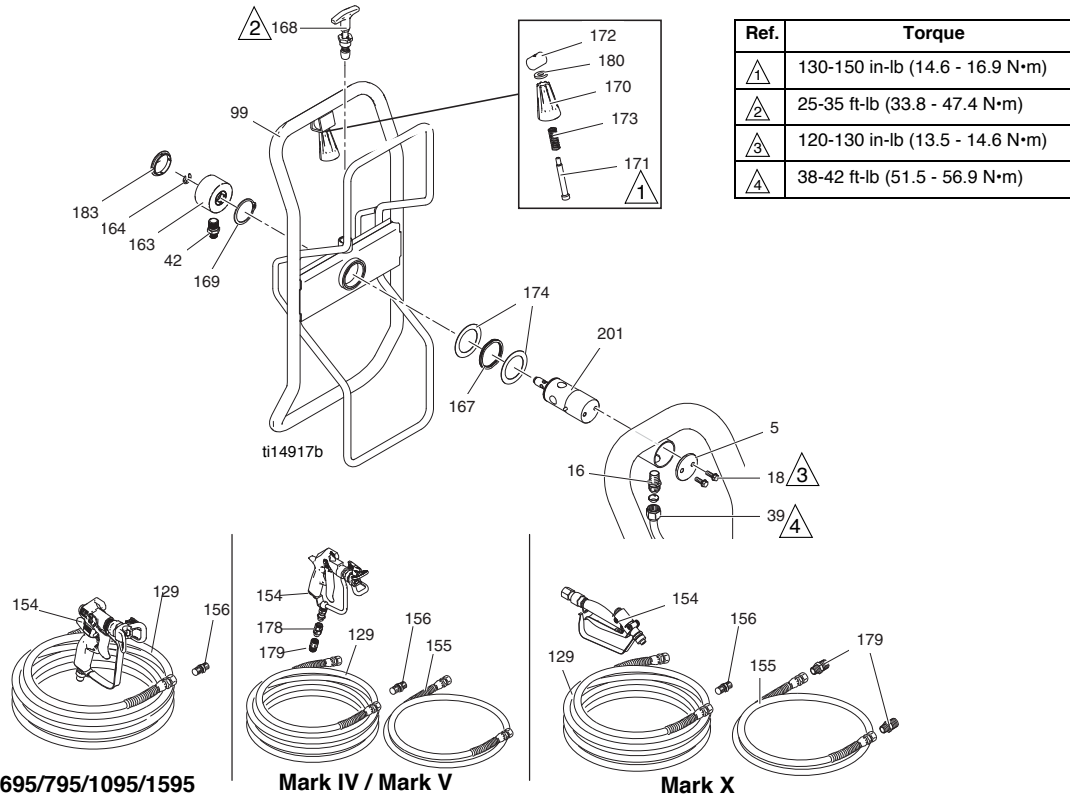
695/795/MARK IV ProContractor Parts List

Ref.	Part	Description	Qty.	Ref.	Part	Description	Qty.
5	16C975	PLATE, pivot	1	76	248214	TUBE, intake; <i>includes 109</i>	1
6	15C753	SCREW, mach, hex wash hd	5	77	16X203	CLIP, drain line	1
7	105510	WASHER, lock, spring	2	83	24V087	HOUSING, bearing; <i>includes 7, 12, 14, 15, 24, 31, 55, 56, 77, 108, 117</i>	1
8	15E891	CLIP, retaining	2				
10	156306	WASHER, flat	2	84		MOTOR, electric	1
11	119420	WHEEL, pneumatic	2		257185	695 Models	
12	106115	WASHER, lock (hi-collar)	4		257186	795 Models	
14	110141	SCREW, cap, sch	4	85	24V084	ROD, connecting	1
15	101550	SCREW, cap, sch	2	87	241920	DEFLECTOR, threaded	1
16	121311	FITTING, connector	1	89	287289	GEAR, combination;	1
17	276974	CAP, leg	2			<i>includes 28, 30</i>	
18	260212	SCREW, hex washer hd	2	90		HOUSING, drive, M1;	1
19		PACKING, o-ring	1			<i>includes 6, 36, 90a</i>	
	107505	695/795			24V032	695 Models	
	102982	Mark IV			24V033	795/Mark IV	
22	116038	WASHER, wave spring	2	90a	107089	WASHER, race, thrust	1
23	117791	SCREW, cap tri lobe	2	91	16X414	PUMP, displacement, 695/795;	1
24	111040	NUT, lock, nylon, thin pattern	6			<i>includes 41, 109</i>	
25	16X833	FITTING, QD, 695/795	1		16X418	PUMP, displacement, Mark IV	
27	120583	NUT, hand, 695/795	1	93	244240	HOSE, drain, ultra hi-boy;	1
28	114672	WASHER, thrust	2			<i>includes 87</i>	
29	278083	GUIDE, hose, platinum	1	94		HOSE, coupled	1
30	114699	WASHER, thrust	1		16X904	695/795	
31	118444	SCREW, mach, slot hex wash hd	5		24V029	Mark IV; <i>includes 19</i>	
35	117633	SCREW, slot hex wash hd	2	103	287253	TOOL BOX; <i>includes 104</i>	1
36	116191	WASHER, thrust, 1095/795	1	104	118852	SCREW, thd forming, hex	3
37	100057	SCREW, cap, hex hd	4			washer hd	
39	24V095	TUBE, formed, ultra, platinum	1	105	16X697	HANGER, stand	1
41		FITTING	1	106	15C982	CAM, cart	2
	16Y579	695/795		107	114531	SCREW, mach, hex washer hd	4
	16X834	Mark IV		108	16X228	PLATE, front, 3900 PC11	1
48	189920	STRAINER, (1-11 1/2 npsm)	1	109	118494	PACKING, o-ring	1
51	24V023	COVER, drive, plastic, painted;	1	110	16X981	LABEL, ProContractor Series	1
		<i>includes 31</i>		117	187437	LABEL, torque	1
55	16C457	HANGER, pail	1	123	276980	GROMMET, cover	2
56	16X322	CLAMP, pump	1	124	119250	SCREW, shoulder	2
58		SHIELD, motor, painted;	1	126	15D088	FAN, motor	1
		<i>includes 123, 124</i>		127	115477	SCREW, mach, torx pan hd	1
	287281	695 Models		128▲	222385	TAG, warning (not shown)	1
	287282	795/Mark IV Models		159	278075	BRACKET, wire	1
62	24Y427	FRAME, platinum, 695/795	1	160	15Y118	LABEL, Made in the USA	1
71		LABEL, brand, front	1				
	16X364	695 Ultra					
	16X367	795 Ultra					
	16X786	695 Ultimate					
	16X788	795 Ultimate					
	16X357	Mark IV TexSpray					
72		LABEL, brand, side	1				
	16X365	695 Ultra					
	16X366	795 Ultra					
	17A135	Mark IV TexSpray					
	16X787	695 Ultimate					
	16X789	795 Ultimate					

▲ Extra Danger and Warning tags and labels available free.

Hose Reel and Gun

Hose Reel and Gun



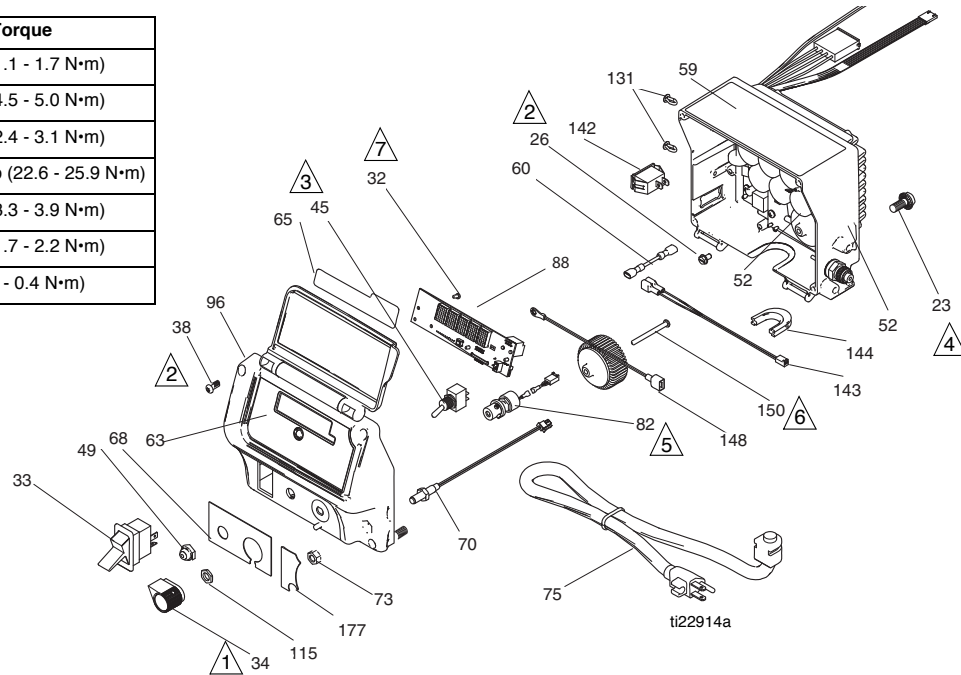
Parts List

Ref.	Part	Description	Qty.	Ref.	Part	Description	Qty.
5	16C975	PLATE, Pivot Mount	1	155		HOSE, whip	1
16	121311	FITTING, Connector, NPT x JIC	1	241735		Mark IV, Mark V	
18	260212	SCREW, Hex Washer HD	2	191239		Mark X	
39		TUBE, Formed, Ultra, Platinum	1	156		ADAPTER	1
	24V095	695/795 Models		162453		695/795/1095/1595	
	24J081	1095/Mark V Models		196178		Mark IV/Mark V	
	16M441	Mark X		158491		Mark X	
42		ADAPTER	1	163	24B248	CAP, swivel, complete	1
	164672	695/795/1095/1595		164	122347	RING, retaining, external	1
	196178	Mark IV/Mark V		167	122534	SPRING, wave	1
	159239	Mark X		168	24E400	PIN, pop, lock out	1
99	24B691	REEL, hose, ultra	1	169	122524	RING, retaining, external	1
129		HOSE, coupled		170	278085	HANDLE, swivel	1
	240794	695/795/1095/1595 Ultra	2	171	122518	PIN	1
	826079	695/795/1095/1595 Ultimate	2	172	15X618	NUT, pin	1
	245225	Mark IV/Mark V	2	173	122542	SPRING	1
	278499	Mark X	2	174	122607	WASHER, flat	2
154		GUN, spray		178	189018	SWIVEL	1
	288420	695/795/1095/1595 Ultra	1	179		BUSHING	
	826085	695/795/1095/1595 Ultimate	1	159841		Mark IV/Mark V	1
	241705	Mark V Models	1	159239		Mark X	2
	246468	Mark IV Models	1	180	122669	WASHER	1
	245820	Mark X	1	183	122787	CAP	1
				201	24E016	TUBE, Hose Reel, Pivot	1

Control Box

Control Box

Ref.	Torque
1	10-15 in-lb (1.1 - 1.7 N•m)
2	40-45 in-lb (4.5 - 5.0 N•m)
3	22-28 in-lb (2.4 - 3.1 N•m)
4	200-230 in-lb (22.6 - 25.9 N•m)
5	30-35 in-lb (3.3 - 3.9 N•m)
6	15-20 in-lb (1.7 - 2.2 N•m)
7	2-3 in-lb (0.2 - 0.4 N•m)



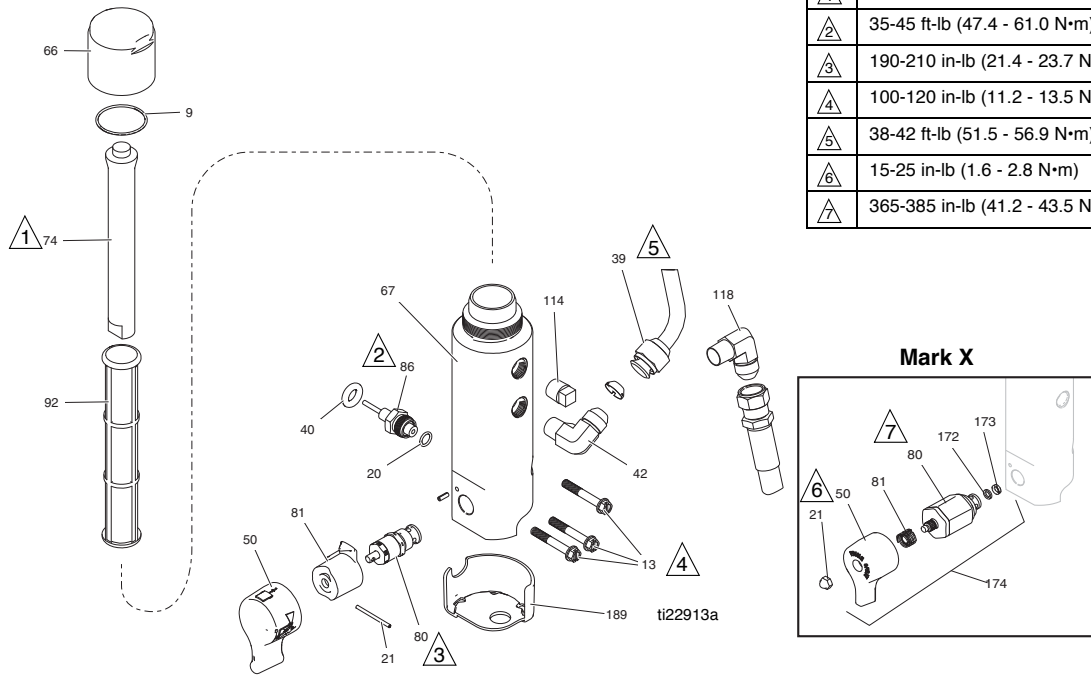
Parts List

Ref.	Part	Description	Qty.	Ref.	Part	Description	Qty.
23	117791	SCREW, cap, flange head	2	16Z019	LIGHT, ProGuard (Standard series)	1	
26	114391	SCREW, grounding	1	73	100187	NUT	1
32	115522	SCREW, mach, pnh	3	75		CORD, power	1
		(ProContractor/IronMan series)		17J160	120V Models 695, 795, 1095, Mark IV		
33	15C979	SWITCH, rocker, ON/OFF	1	15H065	120V Models 1595, Mark V		
	15D527	SWITCH, rocker, Mark X	1	15R876	Mark X		
34	116167	KNOB, potentiometer	1	15H066	120V CSA Models 1595, Mark V		
38	16V095	SCREW, #10, taptite phil	4	82	256219	POTENTIOMETR, assembly	1
45	119541	SWITCH, toggle,	1	88	16Y496	DISPLAY	1
		(ProContractor/IronMan series)		96		COVER, control	1
49	195428	BOOT, toggle	1	24V061	ProContractor/IronMan series;		
		(ProContractor/IronMan series)			<i>includes 32, 38, 63, 65, 68, 88</i>		
52		CONTROL, board;	1	24V062	Standard series;		
		<i>includes 23, 26, 60, 131, 142, 144</i>			<i>includes 38, 63, 68</i>		
	24P847	120V Models		115	15C973	GASKET	1
	24P848	240V Models		131	16T482	RIVET, snap	2
59▲	16T784	LABEL, warning, domestic	1	142		SWITCH/PLUG	1
60	16T541	JUMPER WIRE	1	16T483	695/795/1095/Mark IV/Mark X		
63	16X796	LABEL, LCD, GMAX	1	120059	1595/Mark V (15/20 amp)		
		(ProContractor/IronMan series)		143	15G935	CONNECTOR, electrical (1595/Mark V)	1
	16Y785	LABEL, control box cover, ultra	1	144		STRAIN RELIEF	1
		(Standard series)		16T547	695/795/1095/Mark IV		
65	16X797	LABEL, control box cover, ultra	1	116171	1595/Mark V/Mark X		
		(ProContractor/IronMan series)		148	24V030	KIT, repair, coil; <i>includes 150</i>	1
68	16Y789	LABEL, control	1	150	16U215	SCREW, machine, flat head	1
		(ProContractor/IronMan series)		177	16Y791	LABEL, blank, elec, std (Standard)	1
	16Y786	LABEL, control	1	16Y790	ProContractor/IronMan	1	
		(Standard series)		16Y788	Mark X ProContractor	1	
70	122507	SWITCH, reed	1				
		(ProContractor/IronMan series)					

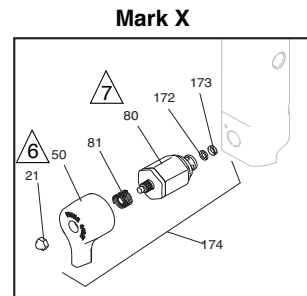
▲ Extra Danger and Warning tags and labels available free.

Filter

Filter



Ref.	Torque
1	90-110 in-lb (10.1 - 12.4 N·m)
2	35-45 ft-lb (47.4 - 61.0 N·m)
3	190-210 in-lb (21.4 - 23.7 N·m)
4	100-120 in-lb (11.2 - 13.5 N·m)
5	38-42 ft-lb (51.5 - 56.9 N·m)
6	15-25 in-lb (1.6 - 2.8 N·m)
7	365-385 in-lb (41.2 - 43.5 N·m)



Parts List

Ref.	Part	Description	Qty.	Ref.	Part	Description	Qty.
9	117285	PACKING, o-ring	1	67	16T543	BASE, filter	1
13	16U013	SCREW, cap, socket head	3	74	15C766	TUBE, diffusion	1
20	111457	PACKING, o-ring	1	80	24B156	VALVE, prime, HD	1
21	15C972	PIN, grooved	1	287879	VALVE, prime, Mark X	1	
	116424	NUT, Mark X	1	81		BASE, valve	1
39		TUBE, formed	1		24A382	Standard series	
	24V095	695/795 Models			24D286	ProContractor/IronMan	
	24J081	1095/Mark V Models			114708	Mark X	
	16M441	Mark X		86	243222	TRANSDUCER, pressure control;	1
40	121889	GROMMET, transducer	1			includes 20	
42		FITTING	1	92		FILTER, fluid	1
	122533	1095/1595/Mark V			244071	30 mesh	
		(ProContractor series)			244067	60 mesh, original equipment	
	125926	695/795/Mark IV/Mark X			244068	100 mesh	
		(ProContractor series)			244069	200 mesh	
	164672	695/795/1095/1595 (Standard series)		114	104813	PLUG, pipe	1
	196178	Mark IV/Mark V (Standard series)		118	125926	FITTING, elbow	1
		1095/1595/Mark V (IronMan series)		172	193709	SEAT, valve	1
	183285	Mark X (Standard series)		173	193710	SEAL, seat, valve	1
50		KIT, handle; includes 21, 81	1	174	245103	KIT, repair, valve, Mark X;	1
	24E233	ProContractor/IronMan Series				includes 21, 50, 80, 81, 172, 173	
	24E234	Standard Series		189	17A197	GUARD, base, filter (ProContractor/IronMan Series)	
	15G563	Mark X					
66	15C765	CAP, filter	1				