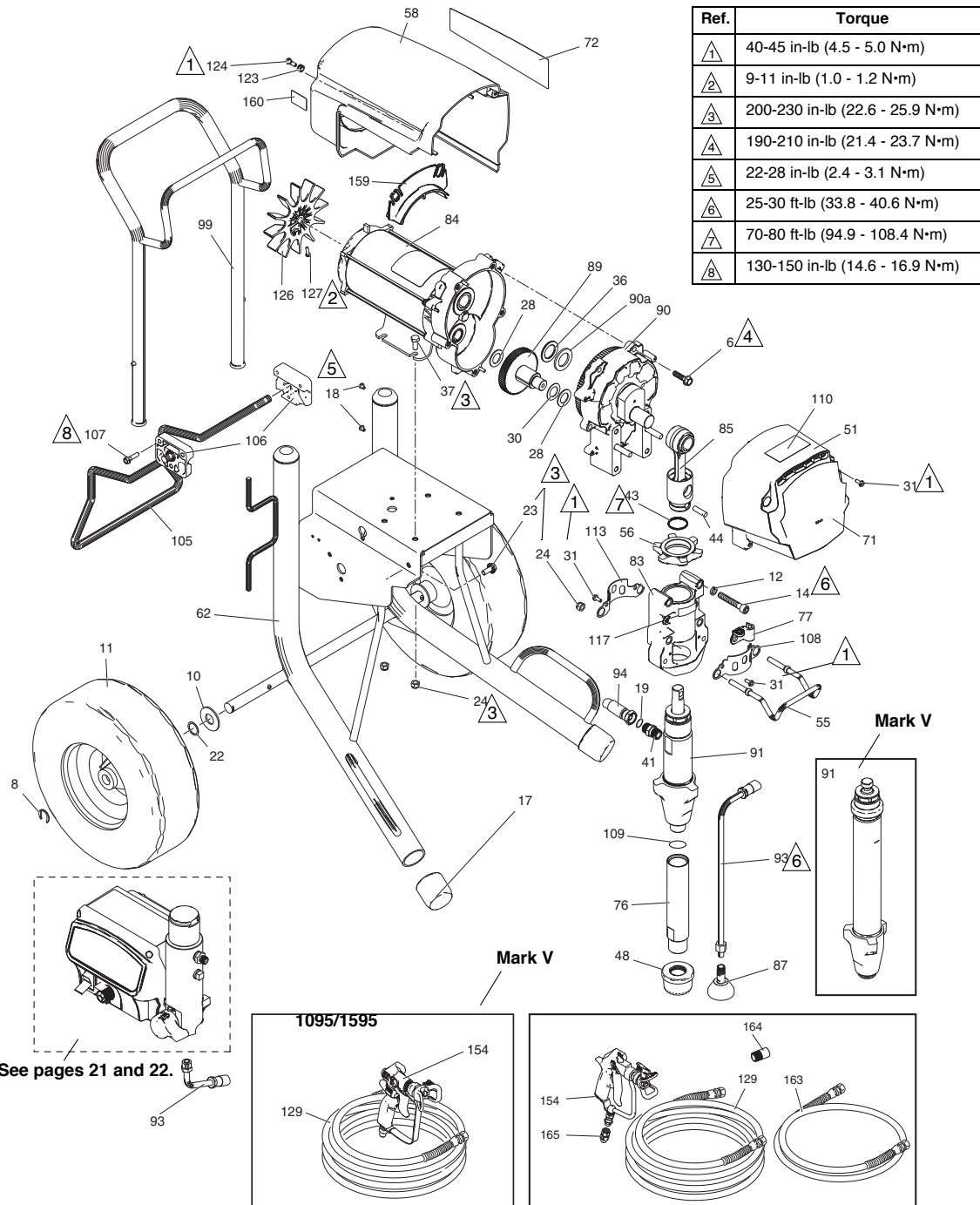


Graco TexSpray Mark V

1095/1595/Mark V Hi-Boy Standard

1095/1595/Mark V Hi-Boy Standard



1095/1595/Mark V Hi-Boy Standard

1095/1595/Mark V Hi-Boy Standard

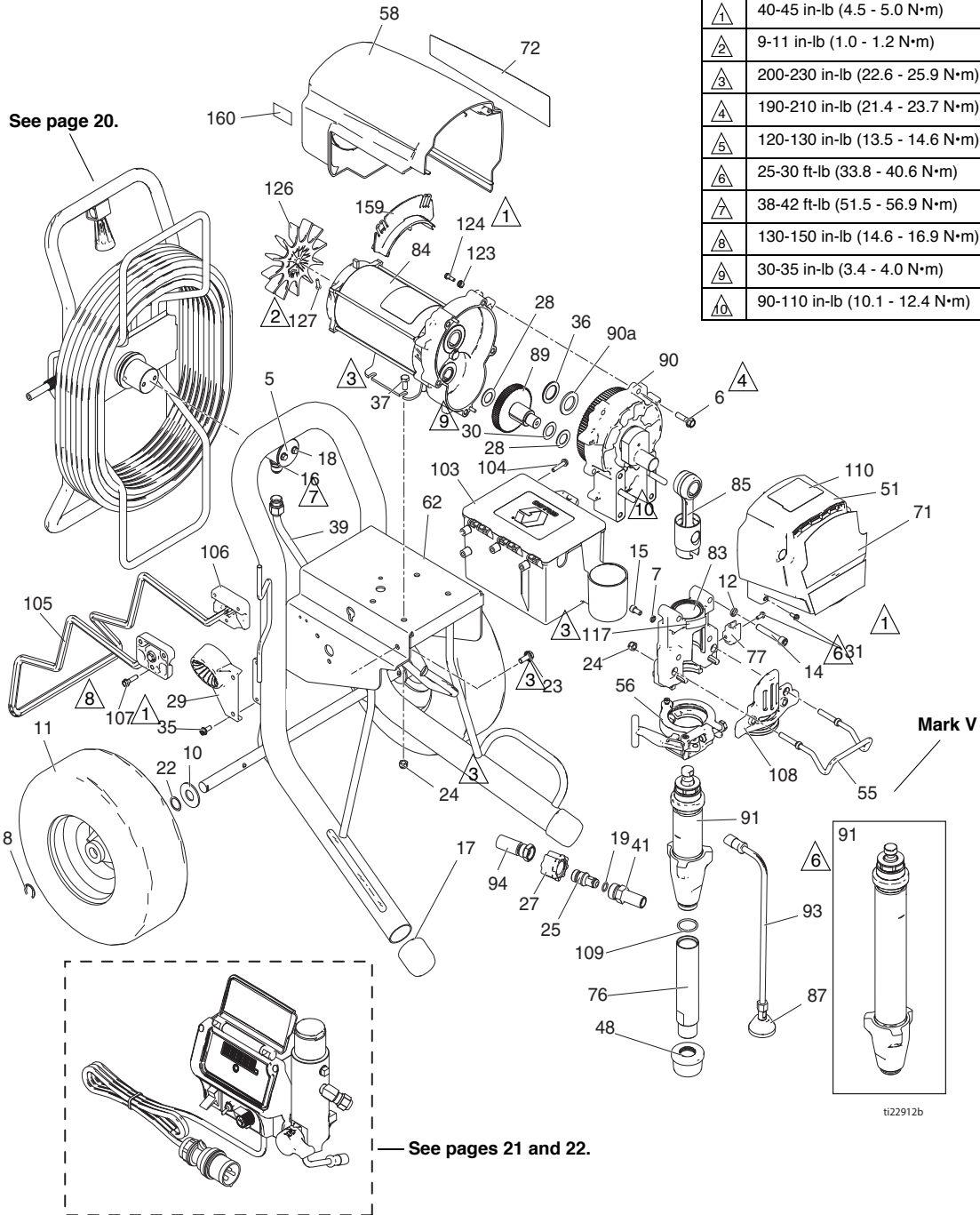
Ref.	Part	Description	Qty.	Ref.	Part	Description	Qty.
6	15C753	SCREW, mach, torx, hex	5	85	24V021	ROD, connecting; <i>includes 43, 44</i>	1
8	15E891	CLIP, retaining	2	87	241920	DEFLECTOR, threaded	1
10	156306	WASHER, flat	2	89	287290	GEAR, combination;	1
11*	119509	WHEEL, pneumatic	2			<i>includes 28, 30</i>	
12	106115	WASH, lock, spring	4	90		HOUSING, drive, M1;	1
14	114666	SCREW, cap, socket hd	4			<i>includes 6, 36, 90a</i>	
17	276974	CAP, leg	2		287294	1095	
18	108795	SCREW, mach, pnh	4		287295	1595/Mark V	
19	102982	PACKING, o-ring (Mark V)	1	90a	194173	WASHER, race, thrust	1
22	116038	WASHER, wave spring	2	91		PUMP, displacement;	1
23	117791	SCREW, cap, flng hd	2			<i>includes 41, 76, 109</i>	
24	111040	NUT, hex, flanged	6		16Y706	1095/1595	
28	114672	WASHER, thrust	2		16X429	Mark V	
30	114699	WASHER, thrust	1	93	244240	HOSE, drain; <i>includes 87</i>	1
31	118444	SCREW, machine, hex washer hd	8	94		HOSE, coupled	1
36	116192	WASHER, thrust	1		16X904	1095/1595	
37	100057	SCREW, cap, hex hd	4		24V029	Mark V; <i>includes 19</i>	
41		FITTING, pump, quick disc	1	99	24A250	HANDLE, cart	1
	196178	1095/1595		105	16X696	HANGER, stand, cart	1
	16X834	Mark V		106	15C982	CAM, cart	2
43	119778	SPRING, retaining	1	107	114531	SCREW, mach, hex washer	4
44	183210	PIN, pump	1	108	16X770	PUMP, shield rod	1
48	189920	STRAINER, (1-11 1/2 NPSM)	1	109	118494	PACKING, o-ring	1
51	24V024	COVER, drive, plastic, painted;	1	110	16X983	LABEL, Standard Series	1
		<i>includes 31</i>		113	15C762	SHIELD, pump rod	1
55	16C457	HANGER, pail	1	117	187437	LABEL, torque	1
56	193031	NUT, retaining	1	123	276980	GROMMET, cover	2
58	287282	SHIELD, motor, painted;	1	124	119250	SCREW, shoulder, hex, washer	3
		<i>includes 123, 124</i>		126	15D088	FAN, motor	1
62	24Y428	FRAME, cart 1095/1595	1	127	115477	SCREW, mach, torx, pan, hd	1
71		LABEL, UltraMax	1	128▲	222385	TAG, WARNING (not shown)	1
	16X368	Ultra 1095		129		HOSE, cpld	1
	16X371	Ultra 1595			240794	Ultra 1095/1595	
	16X790	Ultimate 1095			826079	Ultimate 1095/1595	
	16X792	Ultimate 1595			240797	Mark V	
	16X360	TexSpray Mark V		154		GUN, contractor 1095/1595	1
72		LABEL, UltraMax II 1095/1595	1		288420	1095/1595	
	16X369	Ultra 1095			241705	Mark V	
	16X370	Ultra 1595		159	278075	BAFFLE	1
	16X791	Ultimate 1095		160	15Y118	LABEL, Made in USA	1
	16X793	Ultimate 1595		163	241735	HOSE, cpld, 1/4 in. x 3 ft	1
	16X361	TexSpray Mark V		164	159841	BUSHING, 3/8 in. x 1/4 in.	1
76	248215	TUBE, intake; <i>includes 109</i>	1	165	189018	SWIVEL, assembly	1
77	278204	CLIP, drain line	1				
83	24V027	HOUSING, bearing; <i>includes 12,</i>	1				
		<i>14, 24, 31, 55, 77, 108, 113, 117</i>					
84		MOTOR, electric;	1				
		<i>includes 126, 127</i>					
	257187	1095					
	257188	1595					

▲ Extra Danger and Warning tags and labels available free.
* 253131 KIT, repair, tube

1095/1595/MARK V ProContractor

1095/1595/MARK V ProContractor

Ref.	Torque
1	40-45 in-lb (4.5 - 5.0 N·m)
2	9-11 in-lb (1.0 - 1.2 N·m)
3	200-230 in-lb (22.6 - 25.9 N·m)
4	190-210 in-lb (21.4 - 23.7 N·m)
5	120-130 in-lb (13.5 - 14.6 N·m)
6	25-30 ft-lb (33.8 - 40.6 N·m)
7	38-42 ft-lb (51.5 - 56.9 N·m)
8	130-150 in-lb (14.6 - 16.9 N·m)
9	30-35 in-lb (3.4 - 4.0 N·m)
10	90-110 in-lb (10.1 - 12.4 N·m)



1095/1595/MARK V ProContractor

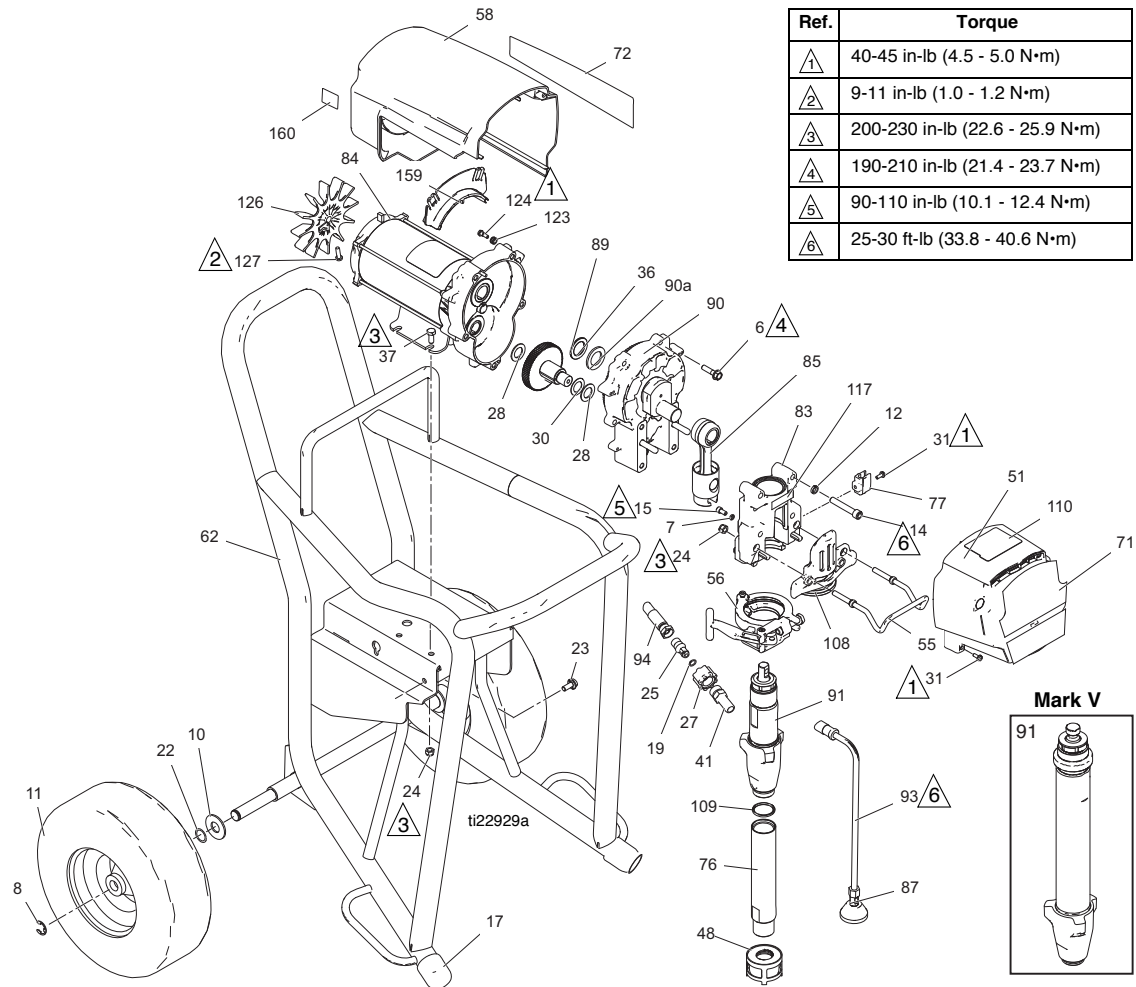
1095/1595/MARK V ProContractor Parts List

Ref.	Part	Description	Qty.	Ref.	Part	Description	Qty.
5	16C975	PLATE, pivot	1		16X793	1595 Ultimate	
6	15C753	SCREW, mach, hex wash hd	5	76	248215	TUBE, intake; <i>includes 109</i>	1
7	105510	WASHER, lock	2	77	16X203	CLIP, drain line	1
8	15E891	CLIP, retaining	2	83	24V088	HOUSING, bearing; <i>includes 7, 12, 14, 15, 24, 31, 55, 56, 77, 108, 117</i>	1
10	156306	WASHER, flat	2				
11	119509	WHEEL, pneumatic	2	84		MOTOR, electric; <i>includes 126, 127</i>	1
12	106115	WASHER, lock (hi-collar)	4		257187	1095 Models	
14	114666	SCREW, cap, socket head	4		257188	1595/Mark V Models	
15	101550	SCREW, cap, sch	2	85	24V085	ROD, connecting	1
16	121311	FITTING, connector	1	87	241920	DEFLECTOR, threaded	1
17	276974	CAP, leg	2	89	287290	GEAR, combination;	1
18	260212	SCREW, hex washer hd	2			<i>includes 28, 30</i>	
19		PACKING, o-ring	1	90		HOUSING, drive, M1;	1
	107505	1095/1595				<i>includes 6, 36, 90a</i>	
	102982	Mark V			287294	1095 Models	
22	116038	WASHER, wave spring	2		287295	1595/Mark V Models	
23	117791	SCREW, cap tri lobe	2	90a	194173	WASHER, race, thrust	1
24	111040	NUT, lock, insert	6	91		PUMP, displacement;	1
25	16X833	FITTING, quick disconnect, (1095/1595 only)	1			<i>includes 41, 76, 109</i>	
27	120583	NUT, hand (1095/1595 only)	1		16X419	1095/1595 Models	
28	114672	WASHER, thrust	2	93	16X421	Mark V Models	
29	278083	GUIDE, hose, ultra platinum	1	94	244240	HOSE, drain; <i>includes 87</i>	1
30	114699	WASHER, thrust	1			HOSE, coupled	1
31	118444	SCREW, mach, slot hex wash hd	5		16X904	1095/1595	
35	117633	SCREW, slot hex wash hd	2		24V029	Mark V; <i>includes 19</i>	
36	116192	WASHER, thrust, 1595	1	103	287253	TOOL BOX; <i>includes 104</i>	1
37	100057	SCREW, cap, hex hd	4	104	118852	SCREW, thd forming, hex washer hd	3
39	24J081	TUBE, formed, ultra, platinum	1	105	16X698	HANGER, stand, cart	1
41		FITTING, pump, QD	1	106	15C982	CAM, cart	2
	16Y579	1095/1595		107	114531	SCREW, mach, hex washer hd	4
	16X834	Mark V		108	16X385	PLATE, front, 5900 PCII	
48	189920	STRAINER, (1-11 1/2 npsm)	1	109	118494	PACKING, o-ring	1
51	24V024	COVER, drive, plastic, painted; <i>includes 31</i>	1	110	16X981	LABEL, ProContractor Series	1
55	16C457	HANGER, pail	1	117	187437	LABEL, torque	1
56	16X324	CLAMP, pump, large	1	123	276980	GROMMET, cover	2
58	287282	SHIELD, motor, painted; <i>includes 123, 124</i>	1	124	119250	SCREW, shoulder	3
62	24Y426	FRAME, platinum, 1095/MARK V	1	126	15D088	FAN, motor	1
71		LABEL, brand, front	1	127	115477	SCREW, mach, torx pan hd	1
	16X368	1095 Ultra		128▲	222385	TAG, warning (not shown)	
	16X371	1595 Ultra		159	278075	BRACKET, wire	1
	16X360	Mark V TexSpray		160	15Y118	LABEL, Made in the USA	1
	16X790	1095 Ultimate					
	16X792	1595 Ultimate					
72		LABEL, brand, side	1				
	16X369	1095 Ultra					
	16X370	1595 Ultra					
	16X361	Mark V TexSpray					
	16X791	1095 Ultimate					

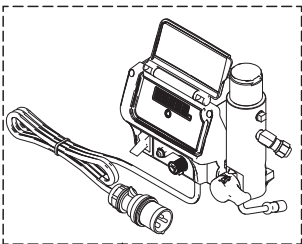
▲ Extra Danger and Warning tags and labels available free.

1095/1595/Mark V IronMan

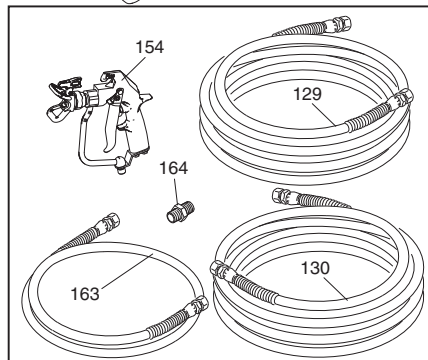
1095/1595/Mark V IronMan



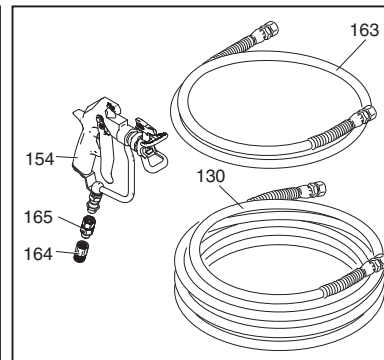
Ref.	Torque
①	40-45 in-lb (4.5 - 5.0 N·m)
②	9-11 in-lb (1.0 - 1.2 N·m)
③	200-230 in-lb (22.6 - 25.9 N·m)
④	190-210 in-lb (21.4 - 23.7 N·m)
⑤	90-110 in-lb (10.1 - 12.4 N·m)
⑥	25-30 ft-lb (33.8 - 40.6 N·m)



See pages 21 and 22.



1095/1595



Mark V

1095/1595/Mark V IronMan

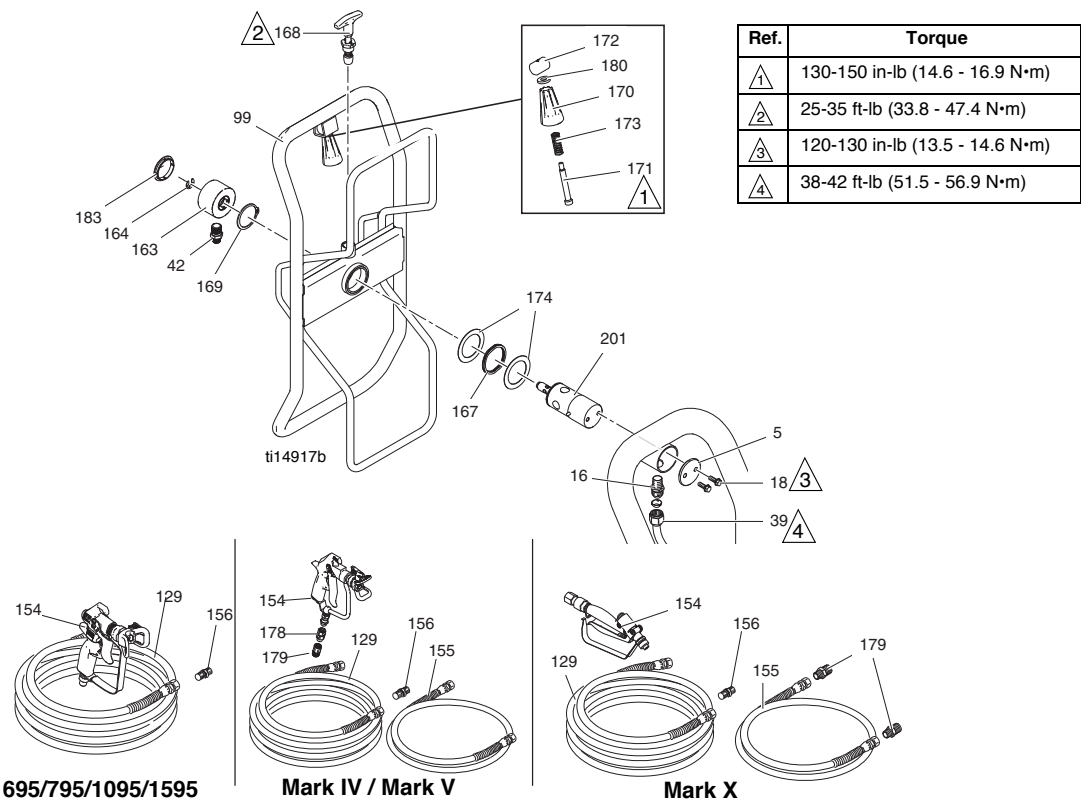
1095/1595/Mark V IronMan

Ref.	Part	Description	Qty.	Ref.	Part	Description	Qty.
6	15C753	SCREW, mach, torx, hex	5	85	24V085	ROD, connecting	1
7	105510	WASHER, lock, spring	2	87	241920	DEFLECTOR, threaded	1
8	120211	CLIP, retaining	2	89	287290	GEAR, combination;	1
10	156306	WASHER, flat	2			<i>includes 28, 30</i>	
11	122267	WHEEL, foam	2	90		HOUSING, drive, M1;	1
12	106115	WASH, lock, spring	4			<i>includes 6, 36, 90a</i>	
14	114666	SCREW, cap, socket hd	4		287294	1095	
15	101550	SCREW, cap, sch	2		287295	1595/Mark V	
17	15C871	CAP, leg	2	90a	194173	WASHER, race, thrust	1
19		PACKING, o-ring	1	91		PUMP, displacement	1
	107505	1095/1595			16X420	1095/1595; <i>includes 41, 109</i>	
	102982	Mark V			16Y599	Mark V	
22	116038	WASHER, wave spring	2	93	244240	HOSE, drain; <i>includes 87</i>	1
23	117791	SCREW, cap, flng hd	2	94		HOSE, coupled	1
24	111040	NUT, lock, insert	6		16X904	1595/1595	
25	16X833	FITTING, QD, 3/8 npsm,	1		24V029	Mark V; <i>includes 19</i>	
		1095/1595		108	16X385	PLATE, front, 5900, PCII	
27	120583	NUT, hand, 1095/1595	6	109	118494	PACKING, o-ring	1
28	114672	WASHER, thrust	2	110	16X982	LABEL, IronMan series	1
30	114699	WASHER, thrust	1	117	187437	LABEL, torque	1
31	118444	SCREW, machine, hex washer hd	5	123	276980	GROMMET, cover	2
36	116192	WASHER, thrust	1	124	119250	SCREW, shoulder, hex, washer	3
37	100057	SCREW, cap, hex hd	4	126	15D088	FAN, motor	1
41		FITTING, pump, QD	1	127	115477	SCREW, mach, torx, pan, hd	1
	16Y579	1095/1595		128▲	222385	TAG, WARNING (not shown)	1
	16X834	Mark V		129		HOSE, cpld, 1/4 in. x 50 ft	1
48	15V573	STRAINER, (1-11 1/2 NPSM)	1		240794	1095/1595 Ultra	
51	24V024	COVER, drive, plastic, painted;	1		826079	1095/1595 Ultimate	
		<i>includes 31</i>		130		HOSE, cpld, 3/8 in. x 50 ft	
55	16C457	HANGER, pail	1		240797	1095/1595/Ultra	1
56	16X324	CLAMP, pump, large	1		240797	Mark V	2
58	287282	SHIELD, motor, painted;	1		826080	1095/1595 Ultimate	1
		<i>includes 123, 124</i>		154		GUN	1
62	16X711	FRAME, cart, 1095/1595	1		246240	1095/1595	
71		LABEL, UltraMax	1		241705	Mark V	
	16X368	Ultra 1095		159	278075	BRACKET, wire	
	16X371	Ultra 1595		160	15Y118	LABEL, Made in USA	1
	16X790	Ultimate 1095		163		HOSE, coupled	1
	16X792	Ultimate 1595			277322	1095/1595	
	16X360	TexSpray/Mark V			241735	Mark V	
72		LABEL, UltraMax II, 1095/1595	1	164		FITTING	1
	16X369	Ultra 1095			164672	1095/1595	
	16X370	Ultra 1595			159841	Mark V	
	16X791	Ultimate 1095		165	189018	SWIVEL, assembly	1
	16X793	Ultimate 1595					
	16X361	TexSpray Mark V					
76	248215	TUBE, intake; <i>includes 109</i>	1				
77	16X203	CLIP, drain line	1				
83	24V088	HOUSING, bearing; <i>includes 7, 12,</i>	1				
		<i>14, 15, 24, 31, 55, 56, 77, 108, 117</i>					
84		MOTOR, electric; <i>includes 126, 127</i>	1				
	257187	1095					
	257188	1595/Mark V					

▲ Extra Danger and Warning tags and labels available free.

Hose Reel and Gun

Hose Reel and Gun



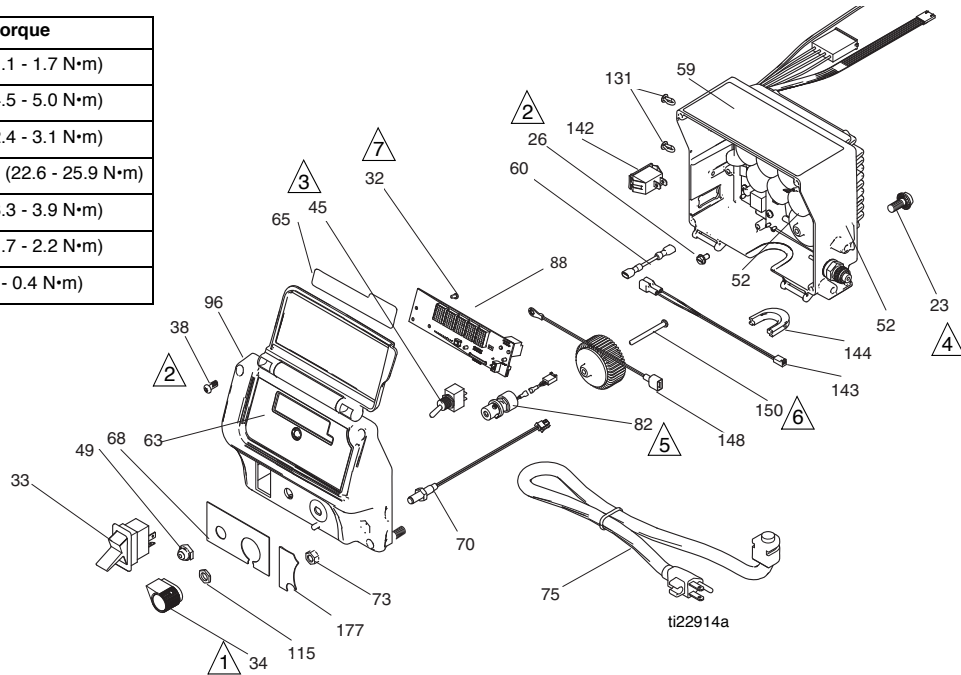
Parts List

Ref.	Part	Description	Qty.	Ref.	Part	Description	Qty.
5	16C975	PLATE, Pivot Mount	1	155		HOSE, whip	1
16	121311	FITTING, Connector, NPT x JIC	1	241735		Mark IV, Mark V	
18	260212	SCREW, Hex Washer HD	2	191239		Mark X	
39		TUBE, Formed, Ultra, Platinum	1	156		ADAPTER	1
	24V095	695/795 Models		162453		695/795/1095/1595	
	24J081	1095/Mark V Models		196178		Mark IV/Mark V	
	16M441	Mark X		158491		Mark X	
42		ADAPTER	1	163	24B248	CAP, swivel, complete	1
	164672	695/795/1095/1595		164	122347	RING, retaining, external	1
	196178	Mark IV/Mark V		167	122534	SPRING, wave	1
	159239	Mark X		168	24E400	PIN, pop, lock out	1
99	24B691	REEL, hose, ultra	1	169	122524	RING, retaining, external	1
129		HOSE, coupled		170	278085	HANDLE, swivel	1
	240794	695/795/1095/1595 Ultra	2	171	122518	PIN	1
	826079	695/795/1095/1595 Ultimate	2	172	15X618	NUT, pin	1
	245225	Mark IV/Mark V	2	173	122542	SPRING	1
	278499	Mark X	2	174	122607	WASHER, flat	2
154		GUN, spray		178	189018	SWIVEL	1
	288420	695/795/1095/1595 Ultra	1	179		BUSHING	
	826085	695/795/1095/1595 Ultimate	1	159841		Mark IV/Mark V	1
	241705	Mark V Models	1	159239		Mark X	2
	246468	Mark IV Models	1	180	122669	WASHER	1
	245820	Mark X	1	183	122787	CAP	1
				201	24E016	TUBE, Hose Reel, Pivot	1

Control Box

Control Box

Ref.	Torque
▲1	10-15 in-lb (1.1 - 1.7 N•m)
▲2	40-45 in-lb (4.5 - 5.0 N•m)
▲3	22-28 in-lb (2.4 - 3.1 N•m)
▲4	200-230 in-lb (22.6 - 25.9 N•m)
▲5	30-35 in-lb (3.3 - 3.9 N•m)
▲6	15-20 in-lb (1.7 - 2.2 N•m)
▲7	2-3 in-lb (0.2 - 0.4 N•m)



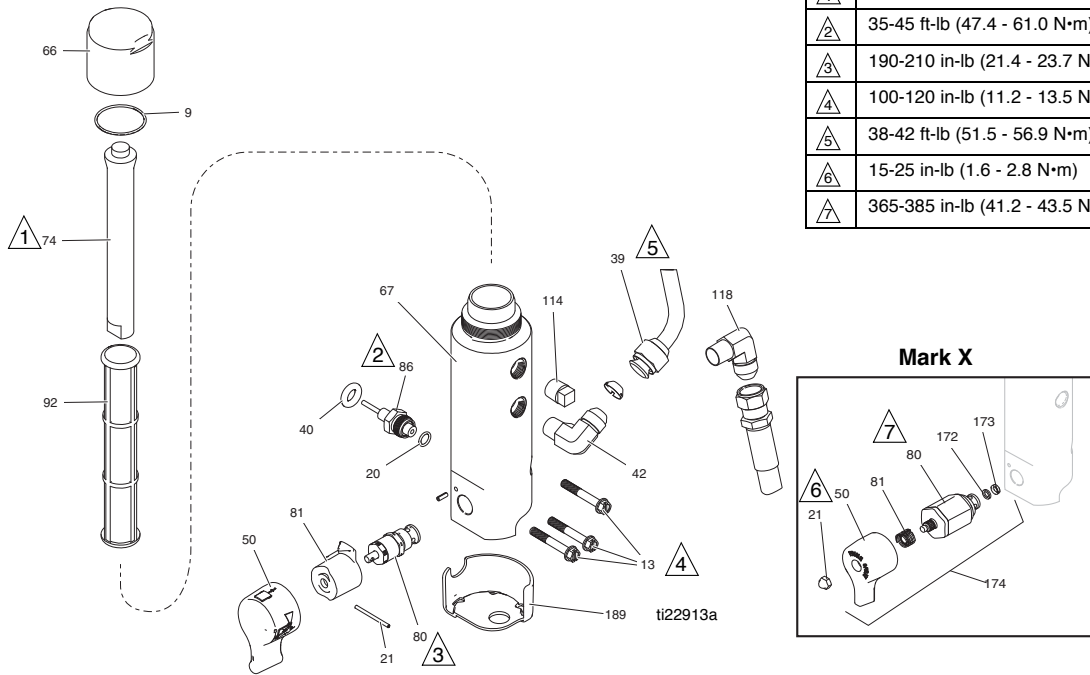
Parts List

Ref.	Part	Description	Qty.	Ref.	Part	Description	Qty.
23	117791	SCREW, cap, flange head	2	16Z019	LIGHT, ProGuard (Standard series)	1	
26	114391	SCREW, grounding	1	73	100187	NUT	1
32	115522	SCREW, mach, pnh	3	75		CORD, power	1
		(ProContractor/IronMan series)		17J160	120V Models 695, 795, 1095, Mark IV		
33	15C979	SWITCH, rocker, ON/OFF	1	15H065	120V Models 1595, Mark V		
	15D527	SWITCH, rocker, Mark X	1	15R876	Mark X		
34	116167	KNOB, potentiometer	1	15H066	120V CSA Models 1595, Mark V		
38	16V095	SCREW, #10, taptite phil	4	82	256219	POTENTIOMETR, assembly	1
45	119541	SWITCH, toggle,	1	88	16Y496	DISPLAY	1
		(ProContractor/IronMan series)		96		COVER, control	1
49	195428	BOOT, toggle	1	24V061	ProContractor/IronMan series;		
		(ProContractor/IronMan series)			<i>includes 32, 38, 63, 65, 68, 88</i>		
52		CONTROL, board;	1	24V062	Standard series;		
		<i>includes 23, 26, 60, 131, 142, 144</i>			<i>includes 38, 63, 68</i>		
	24P847	120V Models		115	15C973	GASKET	1
	24P848	240V Models		131	16T482	RIVET, snap	2
59▲	16T784	LABEL, warning, domestic	1	142		SWITCH/PLUG	1
60	16T541	JUMPER WIRE	1	16T483	695/795/1095/Mark IV/Mark X		
63	16X796	LABEL, LCD, GMAX	1	120059	1595/Mark V (15/20 amp)		
		(ProContractor/IronMan series)		143	15G935	CONNECTOR, electrical (1595/Mark V)	1
	16Y785	LABEL, control box cover, ultra	1	144		STRAIN RELIEF	1
		(Standard series)		16T547	695/795/1095/Mark IV		
65	16X797	LABEL, control box cover, ultra	1	116171	1595/Mark V/Mark X		
		(ProContractor/IronMan series)		148	24V030	KIT, repair, coil; <i>includes 150</i>	1
68	16Y789	LABEL, control	1	150	16U215	SCREW, machine, flat head	1
		(ProContractor/IronMan series)		177	16Y791	LABEL, blank, elec, std (Standard)	1
	16Y786	LABEL, control	1	16Y790	ProContractor/IronMan	1	
		(Standard series)		16Y788	Mark X ProContractor	1	
70	122507	SWITCH, reed	1				
		(ProContractor/IronMan series)					

▲ Extra Danger and Warning tags and labels available free.

Filter

Filter



Ref.	Torque
1	90-110 in-lb (10.1 - 12.4 N•m)
2	35-45 ft-lb (47.4 - 61.0 N•m)
3	190-210 in-lb (21.4 - 23.7 N•m)
4	100-120 in-lb (11.2 - 13.5 N•m)
5	38-42 ft-lb (51.5 - 56.9 N•m)
6	15-25 in-lb (1.6 - 2.8 N•m)
7	365-385 in-lb (41.2 - 43.5 N•m)

Parts List

Ref.	Part	Description	Qty.	Ref.	Part	Description	Qty.
9	117285	PACKING, o-ring	1	67	16T543	BASE, filter	1
13	16U013	SCREW, cap, socket head	3	74	15C766	TUBE, diffusion	1
20	111457	PACKING, o-ring	1	80	24B156	VALVE, prime, HD	1
21	15C972	PIN, grooved	1	287879	VALVE, prime, Mark X	1	
	116424	NUT, Mark X	1	81		BASE, valve	1
39		TUBE, formed	1		24A382	Standard series	
	24V095	695/795 Models			24D286	ProContractor/IronMan	
	24J081	1095/Mark V Models			114708	Mark X	
	16M441	Mark X		86	243222	TRANSDUCER, pressure control;	1
40	121889	GROMMET, transducer	1			<i>includes 20</i>	
42		FITTING	1	92		FILTER, fluid	1
	122533	1095/1595/Mark V			244071	30 mesh	
		(ProContractor series)			244067	60 mesh, original equipment	
	125926	695/795/Mark IV/Mark X			244068	100 mesh	
		(ProContractor series)			244069	200 mesh	
	164672	695/795/1095/1595 (Standard series)		114	104813	PLUG, pipe	1
	196178	Mark IV/Mark V (Standard series)		118	125926	FITTING, elbow	1
		1095/1595/Mark V (IronMan series)		172	193709	SEAT, valve	1
	183285	Mark X (Standard series)		173	193710	SEAL, seat, valve	1
50		KIT, handle; <i>includes 21, 81</i>	1	174	245103	KIT, repair, valve, Mark X;	1
	24E233	ProContractor/IronMan Series				<i>includes 21, 50, 80, 81, 172, 173</i>	
	24E234	Standard Series		189	17A197	GUARD, base, filter (ProContractor/IronMan Series)	
	15G563	Mark X					
66	15C765	CAP, filter	1				