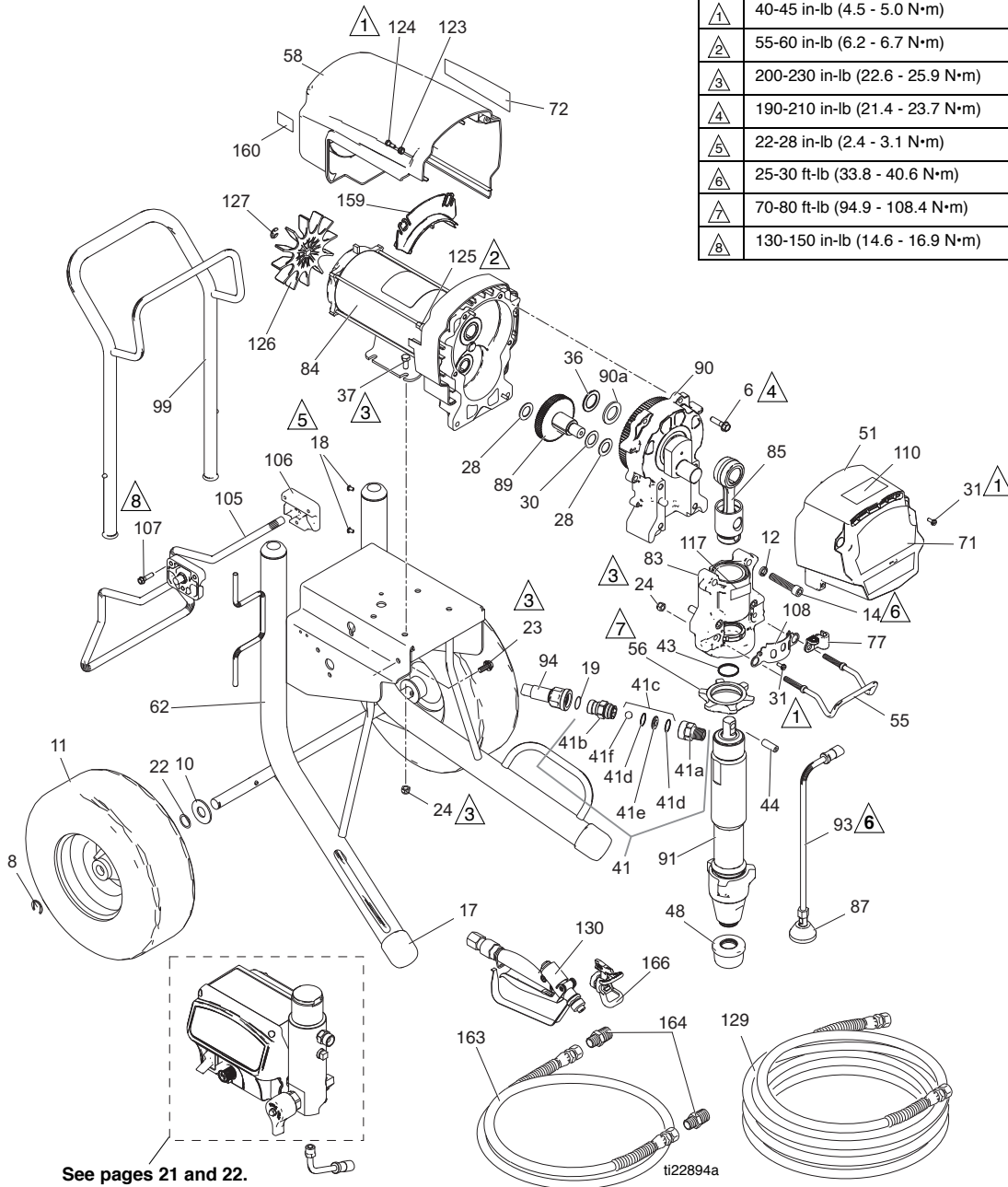


Graco TexSpray Mark X

Mark X Standard

Mark X Standard

Ref.	Torque
1	40-45 in-lb (4.5 - 5.0 N·m)
2	55-60 in-lb (6.2 - 6.7 N·m)
3	200-230 in-lb (22.6 - 25.9 N·m)
4	190-210 in-lb (21.4 - 23.7 N·m)
5	22-28 in-lb (2.4 - 3.1 N·m)
6	25-30 ft-lb (33.8 - 40.6 N·m)
7	70-80 ft-lb (94.9 - 108.4 N·m)
8	130-150 in-lb (14.6 - 16.9 N·m)



Mark X Standard

Mark X Standard Parts List

Ref.	Part	Description	Qty.	Ref.	Part	Description	Qty.
6	15C753	SCREW, mach, torx, hex	6	83	24V028	HOUSING, bearing; <i>includes 12, 14, 24, 31, 55, 77, 108, 117</i>	1
8	15E891	CLIP, retaining	2				
10	156306	WASHER, flat	2	84	258909	MOTOR, electric;	1
11*	119509	WHEEL, pneumatic	2			<i>includes 125, 126, 127</i>	
12	112600	WASH, lock, spring	4	85	24V022	ROD, connecting; <i>includes 43, 44</i>	1
14	112599	SCREW, cap, socket hd	4	87	241920	DEFLECTOR, threaded	1
17	276974	CAP, leg	2	89	288035	GEAR, combination;	1
18	108795	SCREW, mach, pnh	4			<i>includes 28, 30</i>	
19	102982	O-RING	1	90	287990	HOUSING, drive;	1
22	116038	WASHER, wave spring	2			<i>includes 6, 36, 90a</i>	
23	117791	SCREW, cap, flng hd	2	90a	194173	WASHER, race, thrust	1
24	111040	NUT, lock	6	91	16X425	PUMP, displacement	1
28	114672	WASHER, thrust	2	93	244240	HOSE, drain; <i>includes 87</i>	1
30	114699	WASHER, thrust	1	94	24V029	HOSE, coupled; <i>includes 19</i>	1
31	118444	SCREW, machine, hex washer hd	6	99	24A250	HANDLE, cart	1
36	116192	WASHER, thrust	1	105	16X696	HANGER, stand, cart	1
37	100057	SCREW, cap, hex hd	4	106	15C982	CAM, cart	2
41	24U755	VALVE, check, quick disc	1	107	114531	SCREW, mach, hex washer	4
41a	16N461	HOUSING, seat, check valve	1	108	16X770	SHIELD, pump rod	1
41b	16X837	HOUSING, ball, check valve	1	110	16X983	LABEL, Standard series	1
41c	24M725	KIT, repair, check valve;	1	117	187437	LABEL, torque	1
		<i>includes 41d, 41e, 41f</i>		123	276980	GROMMET, cover	2
41d		O-RING	2	124	119250	SCREW, shoulder, hex, washer	3
41e		SEAT	1	125	15G845	SPACER, standoff	2
41f		BALL	1	126	15V577	FAN, motor	1
43	119677	SPRING, retaining	1	127	122347	SCREW, mach, torx, pan, hd	1
44	197443	PIN, pump	1	128▲	222385	TAG, WARNING (not shown)	1
48	189920	STRAINER, (1-11 1/2 NPSM)	1	129	278499	HOSE, cpld, 1/2 in. x 50 ft	1
51	24V025	COVER, drive, plastic, painted;	1	130	245820	GUN, spray, texture	1
		<i>includes 31</i>		159	278075	BAFFLE	1
55	16C457	HANGER, pail	1	160	15Y118	LABEL, Made in USA	1
56	193394	NUT, retaining	1	163	191239	HOSE, cpld, 3/8 in. x 3 ft	1
58	287282	SHIELD, motor, painted;	1	164	159239	ADAPTER	2
		<i>includes 123, 124</i>		166	246215	GUARD, RAC X	1
62	24Y428	FRAME, cart	1				
71	16X362	LABEL, Mark X	1				
72	16X363	LABEL, Mark X	1				
77	278204	CLIP, drain line	1				

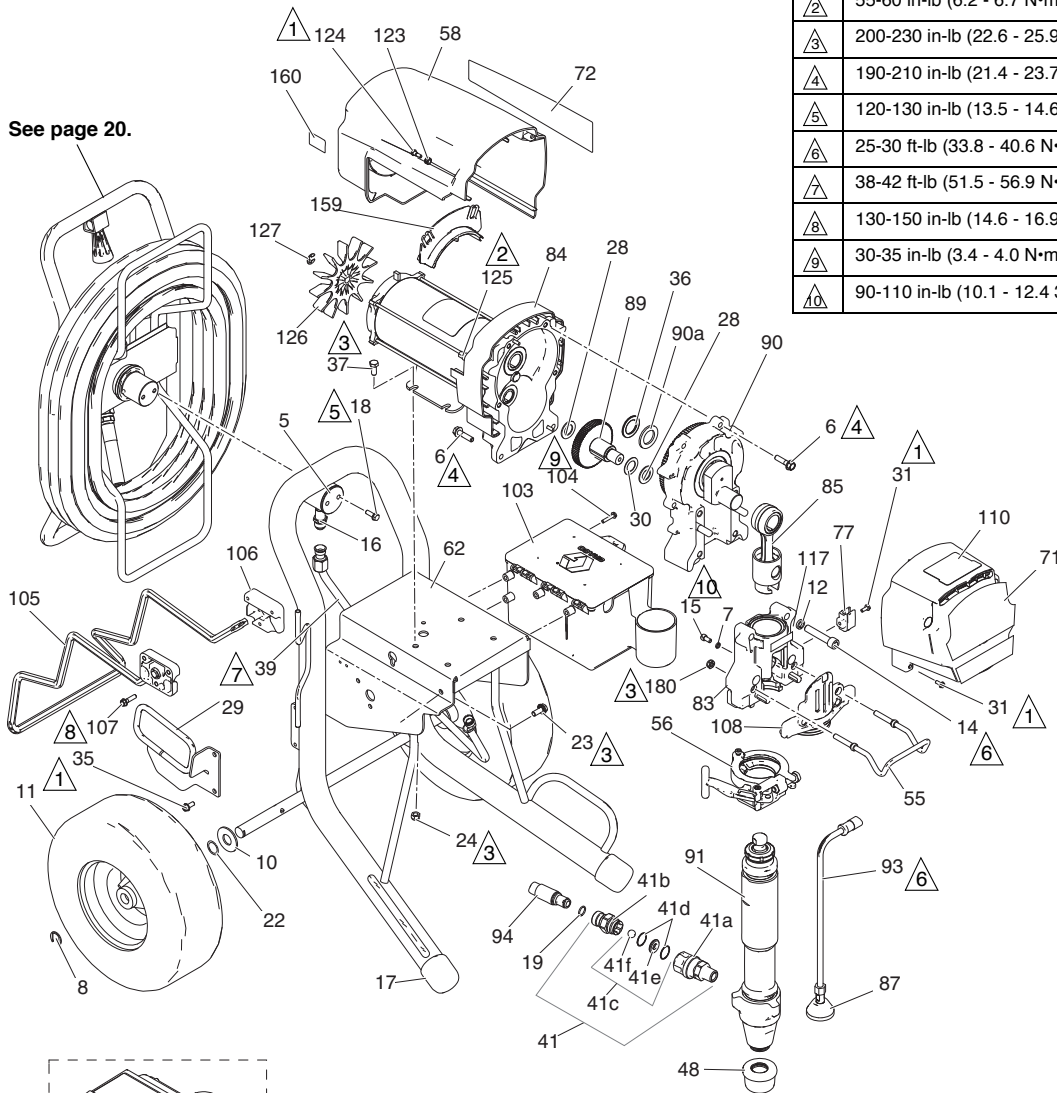
▲ Extra Danger and Warning tags and labels available free.

* 253131 KIT, repair, tube

Mark X ProContractor

Mark X ProContractor

Ref.	Torque
1	40-45 in-lb (4.5 - 5.0 N•m)
2	55-60 in-lb (6.2 - 6.7 N•m)
3	200-230 in-lb (22.6 - 25.9 N•m)
4	190-210 in-lb (21.4 - 23.7 N•m)
5	120-130 in-lb (13.5 - 14.6 N•m)
6	25-30 ft-lb (33.8 - 40.6 N•m)
7	38-42 ft-lb (51.5 - 56.9 N•m)
8	130-150 in-lb (14.6 - 16.9 N•m)
9	30-35 in-lb (3.4 - 4.0 N•m)
10	90-110 in-lb (10.1 - 12.4 N•m)



Mark X ProContractor

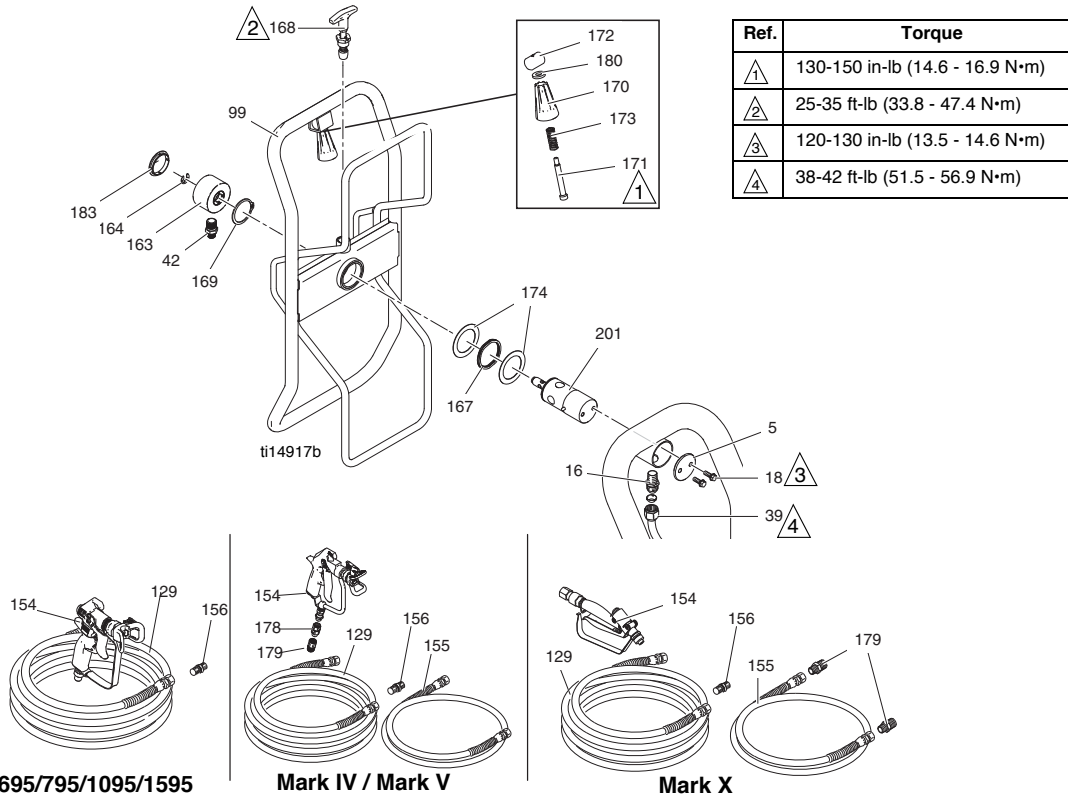
Mark X ProContractor

Ref.	Part	Description	Qty.	Ref.	Part	Description	Qty.
5	16C975	PLATE, pivot	1	71	16X362	LABEL, front	1
6	15C753	SCREW, mach, hex wash hd	6	72	16X363	LABEL, right side	1
7	105510	WASHER, lock, spring	2	77	16X203	CLIP, drain line	1
8	15E891	CLIP, retaining	2	83	24V089	HOUSING, bearing; <i>includes 7, 12, 14, 15, 31, 55, 56, 77, 108, 117, 180</i>	1
10	156306	WASHER, flat	2				
11	119509	WHEEL, pneumatic	2				
12	112600	WASHER, lock (hi-collar)	4	84	258909	MOTOR, electric; <i>includes 125, 126, 127</i>	1
14	112599	SCREW, cap, socket head	4				
15	101550	SCREW, cap, sch	2	85	24V086	ROD, connecting	1
16	121311	FITTING, connector	1	87	241920	DEFLECTOR, threaded	1
17	276974	CAP, leg	2	89	288035	GEAR, combination; <i>includes 28, 30</i>	1
18	260212	SCREW, hex washer, hd	2				
19	102982	O-RING	1	90	287990	HOUSING, drive; <i>includes 6, 36, 90a</i>	1
22	116038	WASHER, wave spring	2				
23	117791	SCREW, cap, tri lobe	2	90a	194173	WASHER, race, thrust	1
24	111040	NUT, lock, insert	4	91	16X427	PUMP, displacement	1
28	114672	WASHER, thrust	2	93	244240	HOSE, drain; <i>includes 87</i>	1
29	24M197	GUIDE, hose, ultra platinum	1	94	24V029	KIT, hose, cpld, 1/2 in.; <i>includes 19</i>	1
30	114699	WASHER, thrust	1	103	287253	TOOL BOX; <i>includes 104</i>	1
31	118444	SCREW, mach, slot hex wash hd	5	104	118852	SCREW, thd forming, hex washer hd	3
35	117633	SCREW, slot hex wash hd	2	105	16X698	HANGER, stand, cart	1
36	116192	WASHER, thrust, 1595	1	106	15C982	CAM, cart	2
37	100057	SCREW, cap, hex hd	4	107	114531	SCREW, mach, hex washer hd	4
39	16M441	TUBE, formed, ultra, platinum	1	108	16X209	PLATE, front, PCII, 7900	1
41	24U755	FITTING	1	110	16X981	LABEL, ProContractor Series	1
41a	16N461	HOUSING, seat, check valve	1	117	187437	LABEL, torque	1
41b	16X837	HOUSING, ball, check valve	1	123	276980	GROMMET, cover	2
41c	24M725	KIT, repair, check valve; <i>includes 41d, 41e, 41f</i>	1	124	119250	SCREW, shoulder	3
41d		O-RING	1	125	15G845	SPACER, standoff	2
41e		SEAT	1	126	15V577	FAN, motor	1
41f		BALL	1	127	122347	RING, retaining	1
48	189920	STRAINER, (1-11 1/2 npsm)	1	128▲	222385	TAG, warning (not shown)	
51	24V025	COVER, drive, plastic, painted; <i>includes 31</i>	1	159	278075	BRACKET, wire	1
55	16C457	PACKING, o-ring	1	160	15Y118	LABEL, Made in the USA	1
56	16X324	CLAMP, pump, large	1	180	112746	NUT, lock, thin pattern	2
58	287282	SHIELD, motor, painted; <i>includes 123, 124</i>	1				
62	24Y426	FRAME, platinum, 1095/MARK V	1				

▲ Extra Danger and Warning tags and labels available free.

Hose Reel and Gun

Hose Reel and Gun



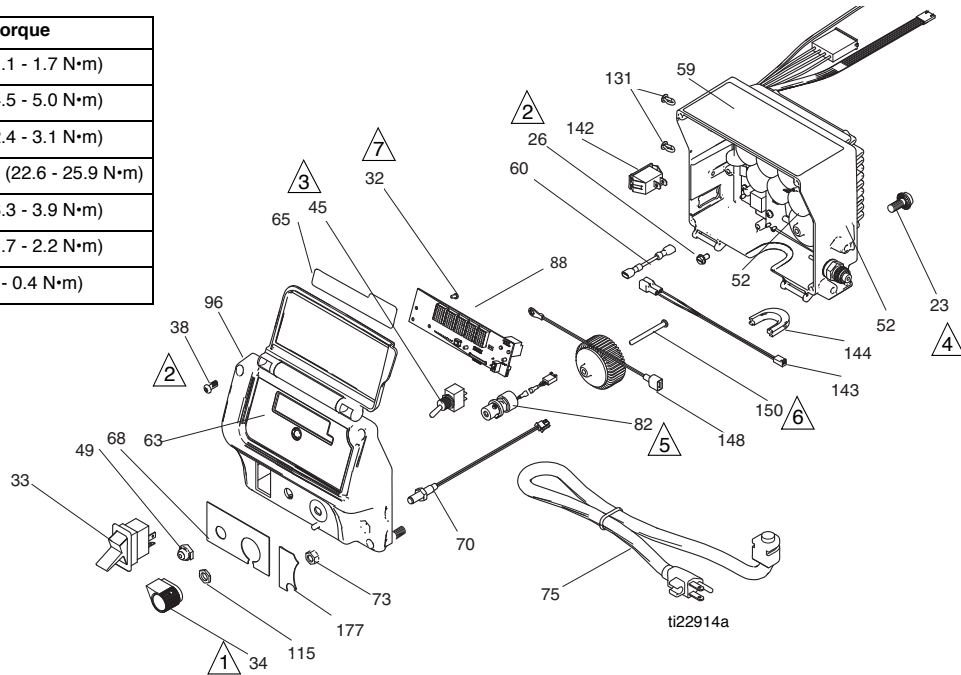
Parts List

Ref.	Part	Description	Qty.	Ref.	Part	Description	Qty.
5	16C975	PLATE, Pivot Mount	1	155		HOSE, whip	1
16	121311	FITTING, Connector, NPT x JIC	1	241735		Mark IV, Mark V	
18	260212	SCREW, Hex Washer HD	2	191239		Mark X	
39		TUBE, Formed, Ultra, Platinum	1	156		ADAPTER	1
	24V095	695/795 Models		162453		695/795/1095/1595	
	24J081	1095/Mark V Models		196178		Mark IV/Mark V	
	16M441	Mark X		158491		Mark X	
42		ADAPTER	1	163	24B248	CAP, swivel, complete	1
	164672	695/795/1095/1595		164	122347	RING, retaining, external	1
	196178	Mark IV/Mark V		167	122534	SPRING, wave	1
	159239	Mark X		168	24E400	PIN, pop, lock out	1
99	24B691	REEL, hose, ultra	1	169	122524	RING, retaining, external	1
129		HOSE, coupled		170	278085	HANDLE, swivel	1
	240794	695/795/1095/1595 Ultra	2	171	122518	PIN	1
	826079	695/795/1095/1595 Ultimate	2	172	15X618	NUT, pin	1
	245225	Mark IV/Mark V	2	173	122542	SPRING	1
	278499	Mark X	2	174	122607	WASHER, flat	2
154		GUN, spray		178	189018	SWIVEL	1
	288420	695/795/1095/1595 Ultra	1	179		BUSHING	
	826085	695/795/1095/1595 Ultimate	1	159841		Mark IV/Mark V	1
	241705	Mark V Models	1	159239		Mark X	2
	246468	Mark IV Models	1	180	122669	WASHER	1
	245820	Mark X	1	183	122787	CAP	1
				201	24E016	TUBE, Hose Reel, Pivot	1

Control Box

Control Box

Ref.	Torque
1	10-15 in-lb (1.1 - 1.7 N•m)
2	40-45 in-lb (4.5 - 5.0 N•m)
3	22-28 in-lb (2.4 - 3.1 N•m)
4	200-230 in-lb (22.6 - 25.9 N•m)
5	30-35 in-lb (3.3 - 3.9 N•m)
6	15-20 in-lb (1.7 - 2.2 N•m)
7	2-3 in-lb (0.2 - 0.4 N•m)



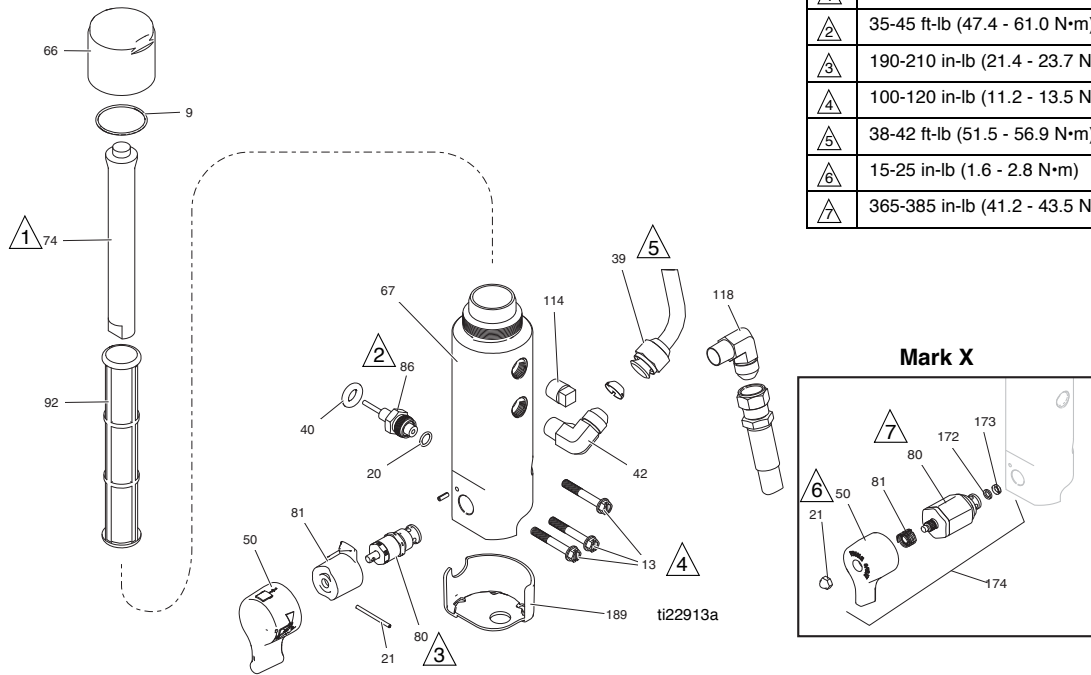
Parts List

Ref.	Part	Description	Qty.	Ref.	Part	Description	Qty.
23	117791	SCREW, cap, flange head	2	16Z019	LIGHT, ProGuard (Standard series)	1	
26	114391	SCREW, grounding	1	73	100187	NUT	1
32	115522	SCREW, mach, pnh	3	75		CORD, power	1
		(ProContractor/IronMan series)		17J160	120V Models 695, 795, 1095, Mark IV		
33	15C979	SWITCH, rocker, ON/OFF	1	15H065	120V Models 1595, Mark V		
	15D527	SWITCH, rocker, Mark X	1	15R876	Mark X		
34	116167	KNOB, potentiometer	1	15H066	120V CSA Models 1595, Mark V		
38	16V095	SCREW, #10, taptite phil	4	82	256219	POTENTIOMETR, assembly	1
45	119541	SWITCH, toggle,	1	88	16Y496	DISPLAY	1
		(ProContractor/IronMan series)		96		COVER, control	1
49	195428	BOOT, toggle	1	24V061	ProContractor/IronMan series;		
		(ProContractor/IronMan series)			<i>includes 32, 38, 63, 65, 68, 88</i>		
52		CONTROL, board;	1	24V062	Standard series;		
		<i>includes 23, 26, 60, 131, 142, 144</i>			<i>includes 38, 63, 68</i>		
	24P847	120V Models		115	15C973	GASKET	1
	24P848	240V Models		131	16T482	RIVET, snap	2
59▲	16T784	LABEL, warning, domestic	1	142		SWITCH/PLUG	1
60	16T541	JUMPER WIRE	1	16T483	695/795/1095/Mark IV/Mark X		
63	16X796	LABEL, LCD, GMAX	1	120059	1595/Mark V (15/20 amp)		
		(ProContractor/IronMan series)		143	15G935	CONNECTOR, electrical (1595/Mark V)	1
	16Y785	LABEL, control box cover, ultra	1	144		STRAIN RELIEF	1
		(Standard series)		16T547	695/795/1095/Mark IV		
65	16X797	LABEL, control box cover, ultra	1	116171	1595/Mark V/Mark X		
		(ProContractor/IronMan series)		148	24V030	KIT, repair, coil; <i>includes 150</i>	1
68	16Y789	LABEL, control	1	150	16U215	SCREW, machine, flat head	1
		(ProContractor/IronMan series)		177	16Y791	LABEL, blank, elec, std (Standard)	1
	16Y786	LABEL, control	1	16Y790	ProContractor/IronMan	1	
		(Standard series)		16Y788	Mark X ProContractor	1	
70	122507	SWITCH, reed	1				
		(ProContractor/IronMan series)					

▲ Extra Danger and Warning tags and labels available free.

Filter

Filter



Ref.	Torque
1	90-110 in-lb (10.1 - 12.4 N·m)
2	35-45 ft-lb (47.4 - 61.0 N·m)
3	190-210 in-lb (21.4 - 23.7 N·m)
4	100-120 in-lb (11.2 - 13.5 N·m)
5	38-42 ft-lb (51.5 - 56.9 N·m)
6	15-25 in-lb (1.6 - 2.8 N·m)
7	365-385 in-lb (41.2 - 43.5 N·m)

Parts List

Ref.	Part	Description	Qty.	Ref.	Part	Description	Qty.
9	117285	PACKING, o-ring	1	67	16T543	BASE, filter	1
13	16U013	SCREW, cap, socket head	3	74	15C766	TUBE, diffusion	1
20	111457	PACKING, o-ring	1	80	24B156	VALVE, prime, HD	1
21	15C972	PIN, grooved	1	287879	VALVE, prime, Mark X	1	
	116424	NUT, Mark X	1	81		BASE, valve	1
39		TUBE, formed	1		24A382	Standard series	
	24V095	695/795 Models			24D286	ProContractor/IronMan	
	24J081	1095/Mark V Models			114708	Mark X	
	16M441	Mark X		86	243222	TRANSDUCER, pressure control;	1
40	121889	GROMMET, transducer	1			<i>includes 20</i>	
42		FITTING	1	92		FILTER, fluid	1
	122533	1095/1595/Mark V			244071	30 mesh	
		(ProContractor series)			244067	60 mesh, original equipment	
	125926	695/795/Mark IV/Mark X			244068	100 mesh	
		(ProContractor series)			244069	200 mesh	
	164672	695/795/1095/1595 (Standard series)		114	104813	PLUG, pipe	1
	196178	Mark IV/Mark V (Standard series)		118	125926	FITTING, elbow	1
		1095/1595/Mark V (IronMan series)		172	193709	SEAT, valve	1
	183285	Mark X (Standard series)		173	193710	SEAL, seat, valve	1
50		KIT, handle; <i>includes 21, 81</i>	1	174	245103	KIT, repair, valve, Mark X;	1
	24E233	ProContractor/IronMan Series				<i>includes 21, 50, 80, 81, 172, 173</i>	
	24E234	Standard Series		189	17A197	GUARD, base, filter (ProContractor/IronMan Series)	
	15G563	Mark X					
66	15C765	CAP, filter	1				