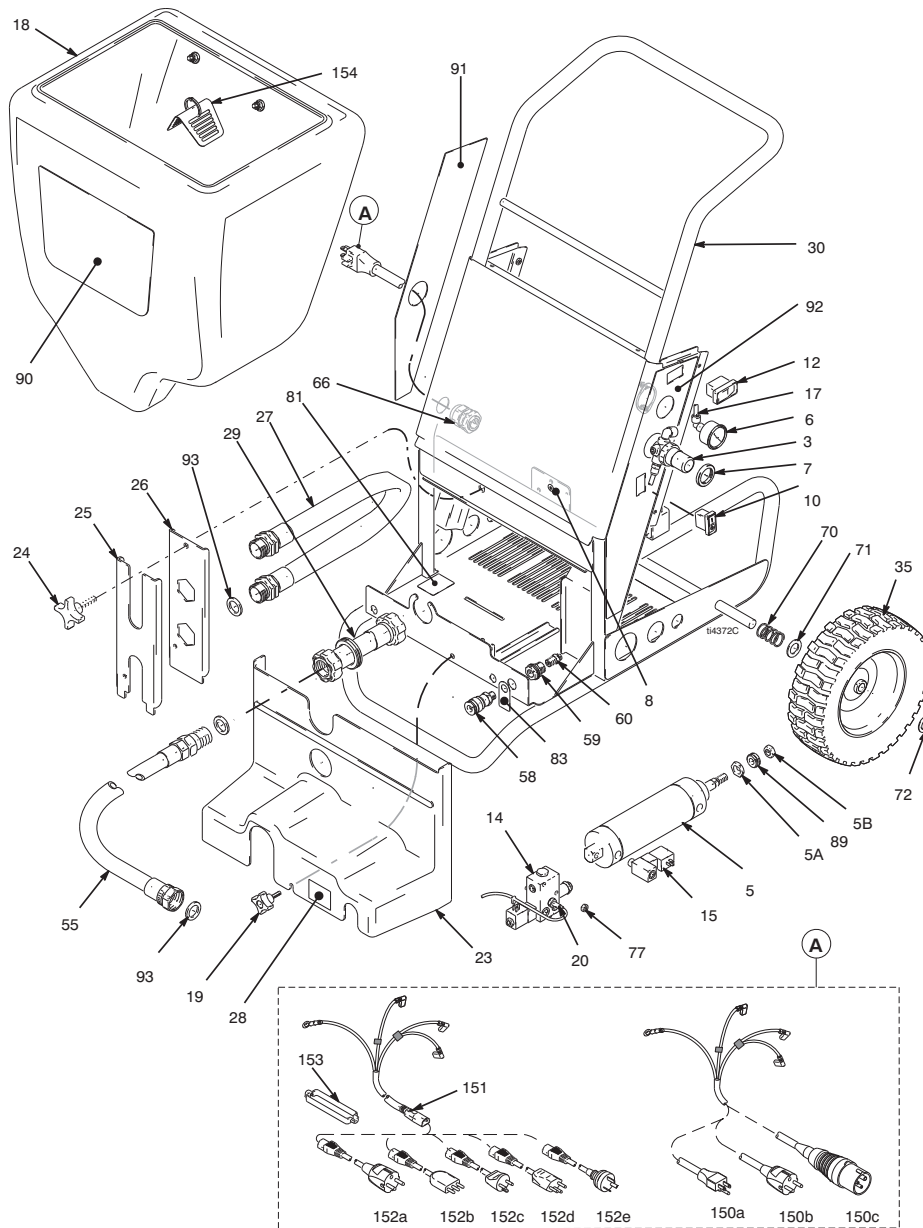


Graco TexSpray RTX

Parts

Parts

Models 248201, 248315, 248370, 248536



Parts List

Parts List

Models 248201, 248315, 248370, 248536

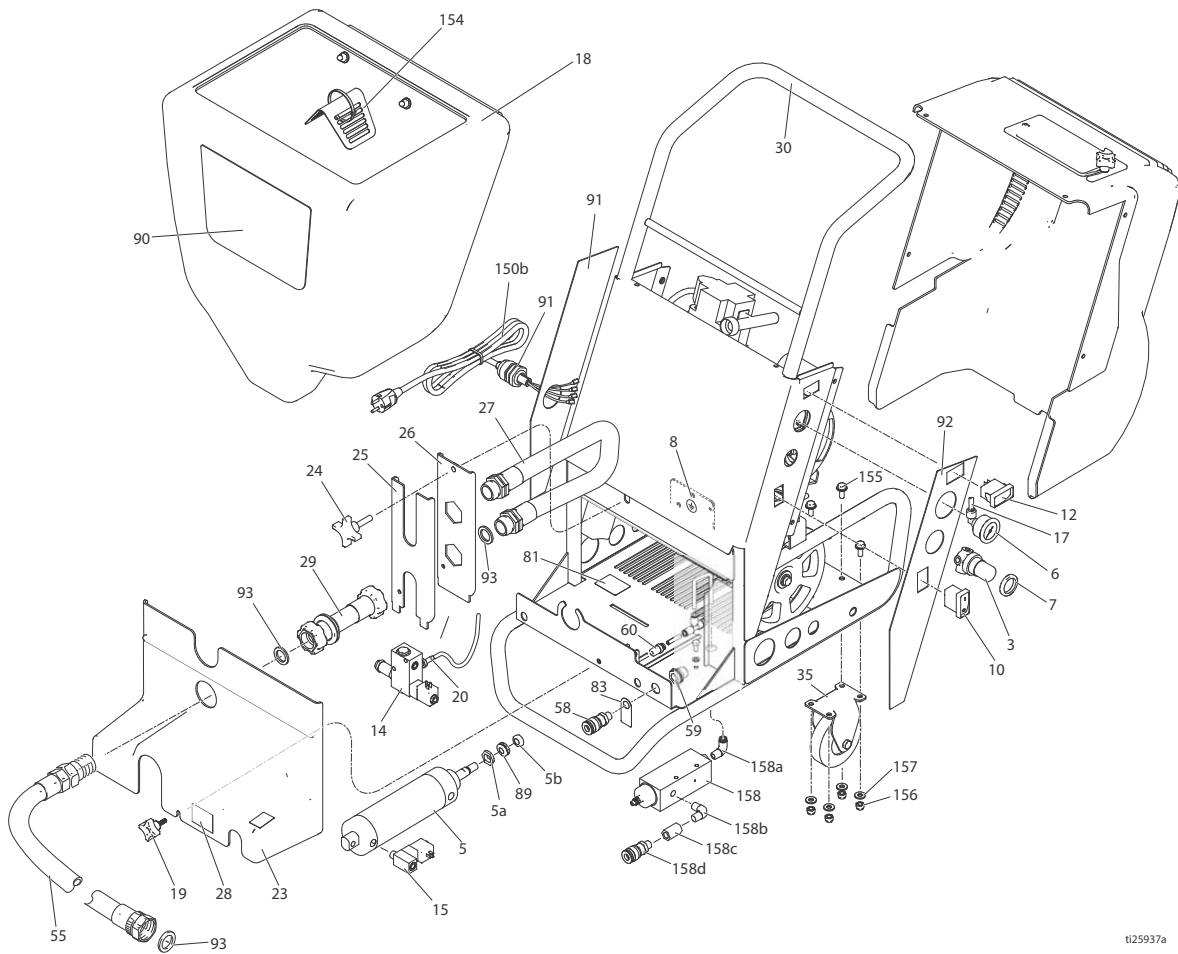
Ref.	Part	Description	Qty	Ref.	Part	Description	Qty
3	118844	REGULATOR, air, 1/8 in. NPT	1	51	15D634	WIRE, jumper	1
5	287323	KIT, cylinder, replacement, (includes 5A, 5B, 89)	1	54	116666	TUBE, air	1
5A	15D576	SPACER, crowned	1	55	287304	HOSE SET, twin line, 1 in. x 25-ft	1
5B	118871	NUT, lock, 1/2-20	1	58	116720	COUPLER, air, quick disconnect	1
6	117720	GAUGE, pressure	1	59	104641	FITTING, bulkhead	1
7	115244	NUT, regulator	1	60	116658	FITTING, tube, male, 1/4 NPT	1
8▲	186620	LABEL, ground, symbol	1	66	116171	BUSHING, strain relief	1
10	117693	SWITCH, power	1	70	116411	SPRING, compression	2
12	119064	SWITCH, power, prime	1	71	116477	WASHER, flat, nylon	2
14	15D559	VALVE, assembly, 120V (includes sensor) sprayer	1	72	101242	CAP, end	4
	287350	VALVE, assembly, 230V (includes sensor) sprayer	1	74	115498	SCREW, mach, slot, hex, wash hd	1
				77	102040	NUT, lock, hex	2
15	15D560	VALVE, cylinder, 120V sprayer	1	81▲	198492	LABEL, warning	2
	287351	VALVE, cylinder, 230V sprayer	1	82	118887	HOSE, air (includes 1/4 in. tubing and one-way valve)	1
16	118888	HOSE, air (includes 1/4 in. tubing and one-way valve)	1	83▲	15D089	LABEL, warning, hot surface	1
17	15C968	TUBE, air	1	89	801012	GROMMET	1
18	287347	HOPPER, texture (includes bracket)	1	90	15D951	LABEL, identification	1
19	15D862	NUT, hand	1	91	15D953	LABEL, identification	1
20	287326	KIT, sensor only, 120V	1	92	15D952	LABEL, identification	1
	287345	KIT, sensor only, 230V	1	93	118872	GASKET	4
23	287348	SHIELD, front (includes 28)	1	150		CORD, power	
24	108471	KNOB, pronged	1	150a	15D630	Americas/Canada, 120V, 60 Hz	1
25	15D589	BRACKET, hose, outer	1	150b	15E056	Europe/Asia, 230V, 50 Hz (hardwired, rubber cord)	1
26	15D588	BRACKET, hose, inner	1	150c	15E061	United Kingdom, 110V, 60, Hz	1
27	287314	KIT, RotoFlex HD Pump	1	151	15D902	CORD, power, Europe/Austra- lia/China, 230V, 50 Hz (requires cordset adapter, 152, following)	1
28▲	189286	LABEL, warning	1	152		ADAPTER, cordset, (for 15D902),	
29	118885	HOSE, coupled (includes grommet)	1	152a	242001	Europe	1
30	287254	FRAME, texture, blue	1	152b,c,d	287121	Italy, Denmark, Switzerland	1
32	15D633	WIRE, jumper	1	152e	242005	Australia/China	1
35	116478	WHEEL, pneumatic	2	153	195551	RETAINER, (for 15D902)	1
49B▲	15D939	LABEL, warning, English, French, Spanish	1	154	15F966	BAFFLE, hopper	1
	287336	KIT, label, warning, all languages except those included in 15D939					
49C▲	15D940	LABEL, identification					

▲Replacement Danger and Warning labels, tags and cards are available at no cost.

Parts

Parts

Model 24X140



t125937a

Parts List

Model 24X140

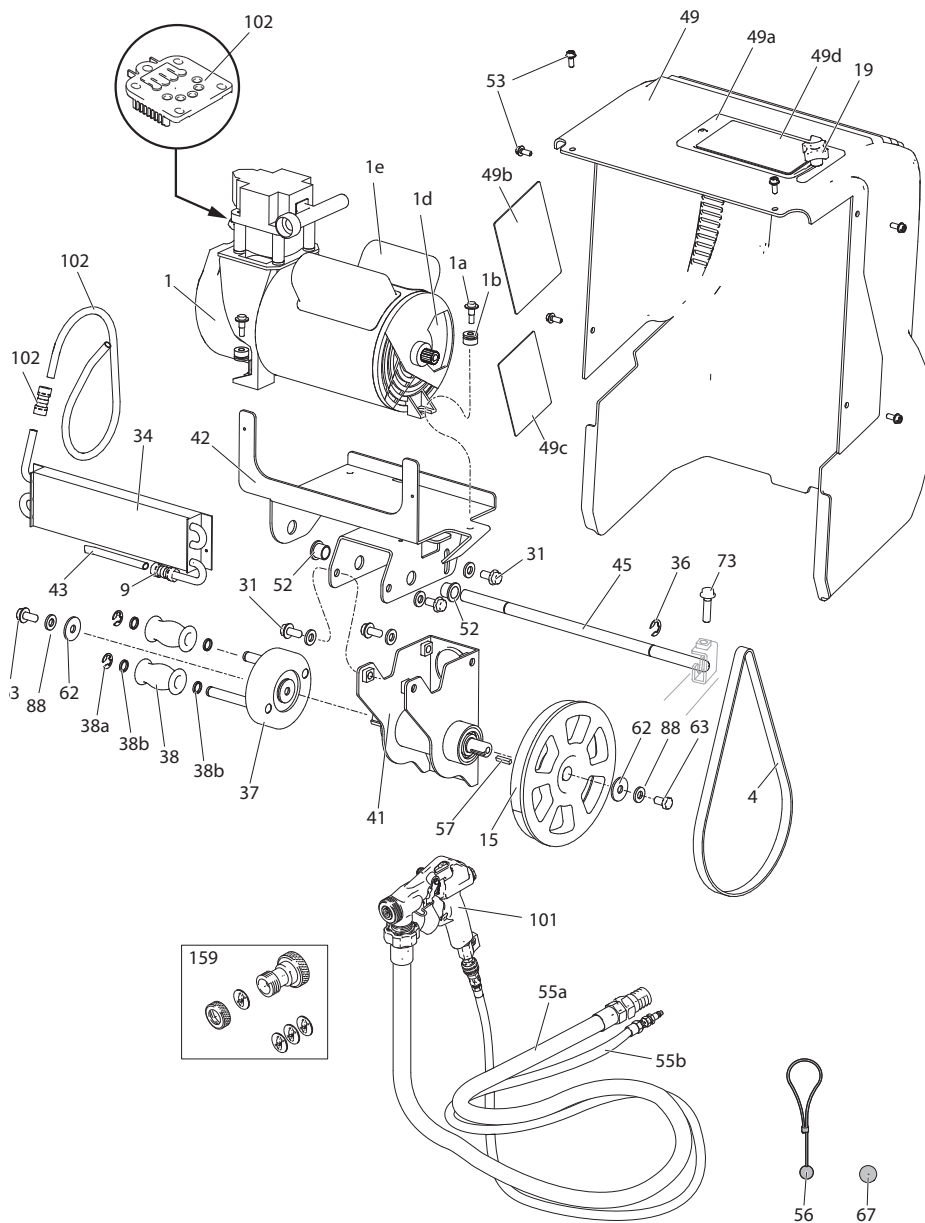
Ref.	Part	Description	Qty	Ref.	Part	Description	Qty
			.		15D940	LABEL, identification	.
			Qty	51	15D634	WIRE, jumper	1
3	118844	REGULATOR, air, 1/8 in. NPT	1	54	116666	TUBE, air	1
5	287323	KIT, cylinder, replacement, (includes 5A, 5B, 89)	1	55	24X145	KIT, hose (includes 55a, 55b)	1
5A	15D576	SPACER, crowned	1	55a		HOSE, texture, 1 in. x 15-ft	1
5B	118871	NUT, lock, 1/2-20	1	55b		HOSE, air	1
6	117720	GAUGE, pressure	1	58	116720	COUPLER, air, quick disconnect	1
7	115244	NUT, regulator	1	59	104641	FITTING, bulkhead	1
8▲	186620	LABEL, ground, symbol	1	60	116658	FITTING, tube, male, 1/4 NPT	1
10	117693	SWITCH, power	1	66	116171	BUSHING, strain relief	1
12	119064	SWITCH, power, prime	1	74	115498	SCREW, mach, slot, hex, wash hd	1
14	287350	VALVE, assembly, 230V (includes sensor) sprayer	1	77	102040	NUT, lock, hex	2
15	287351	VALVE, cylinder, 230V sprayer	1	81▲	198492	LABEL, warning	2
16	118888	HOSE, air (includes 1/4 in. tubing and one-way valve)	1	82	118887	HOSE, air (includes 1/4 in. tubing and one-way valve)	1
17	15C968	TUBE, air	1	83▲	15D089	LABEL, warning, hot surface	1
18	287347	HOPPER, texture (includes bracket)	1	89	801012	GROMMET	1
19	15D862	NUT, hand	1	90	17D322	LABEL, identification	1
20	287345	KIT, sensor only, 230V	1	91	17D324	LABEL, identification	1
23	287348	SHIELD, front (includes 28)	1	92	17D323	LABEL, identification	1
24	108471	KNOB, pronged	1	93	118872	GASKET	4
25	15D589	BRACKET, hose, outer	1	150b	15E056	Europe/Asia, 230V, 50 Hz (hardwired, rubber cord)	1
26	15D588	BRACKET, hose, inner	1	154	15F966	BAFFLE, hopper	1
27	287314	KIT, RotoFlex HD Pump	1	155	110963	SCREW, cap	8
28▲	189286	LABEL, warning	1	156	111040	NUT	8
29	118885	HOSE, coupled (includes grommet)	1	157	100527	WASHER	8
30	24X142	FRAME, texture, blue	1	158	287328	KIT, auxiliary air (includes 158a, 158b, 158c, 158d) (see manual 310694)	1
32	15D633	WIRE, jumper	1				
35	128032	WHEEL, castor	2				
49B▲	15D939	LABEL, warning, English, French, Spanish	1				
49C▲	17A258	LABEL, warning, Chinese	1				

▲ Replacement Danger and Warning labels, tags and cards are available at no cost.

Parts

Parts

Model 24X140



tl25938a

Parts List

Model 24X140

Ref.	Part	Description	Qty	Ref.	Part	Description	Qty
1	287344	KIT, compressor replacement (includes 1A, and 1B-1D), 230V sprayers	1	45	15D610	SHAFT, motor, mount	1
	287331	KIT, compressor rebuild, 230V sprayers		49	287346	SHIELD, rear, assbly (includes 19, 49A, 49B, 49D)	1
1A	119872	SCREW, shoulder	3	49A	15D561	COVER, tool tray	1
1B	118886	GROMMET, isolator	3	49B▲	15D939	LABEL, warning, English, French, Spanish	
1D	119381	COVER, terminal	1	49C▲	17A258	LABEL, warning, Chinese	
1E	24X818	CAPACITOR, start (230V)	1	49D	15D940	LABEL, identification	1
4	118845	BELT	1	51	15D634	WIRE, jumper	1
9	117728	FITTING, compression, union	2	52	116937	BEARING, flanged, bronze	2
13	15D156	PULLEY, rotor	1	53	117633	SCREW, slot hex wash hd	8
16	118888	HOSE, air (includes 1/4 in. tubing and one-way valve)	1	54	116666	TUBE, air	1
				55A	24X143	HOSE, material 1 in. x 15-ft	1
19	15D862	NUT, hand	1	55B	24X144	HOSE, air	1
21	118876	TUBE, air, aluminum	1	56	15C090	GAUGE, thickness, fluid	1
22	117637	NUT, compression	1	57	183401	KEY, parallel	2
31	112395	SCREW, cap	4	58	116720	COUPLER, air, quick disconnect	1
32	15D633	WIRE, jumper	1	62	108851	WASHER, plain	2
33	103473	STRAP, tie, wire	2	63	106276	SCREW, cap, hex head	2
34	15B815	COOLER	1	67	248515	BALL, sponge, 30 mm (5 pk)	2
36	101242	RING, retaining, ext.	2	73	112785	SCREW, flanged, hex head	2
37	287255	ROTOR, pump, assbly (includes 38, 38A, 38B)	1	74	115498	SCREW, mach, slot, hex, wash hd	1
				82	118887	HOSE, air (includes 1/4 in. tubing and one-way valve)	1
38	287321	KIT, roller replacement (includes 38A, 38B and two rollers)	2	88	118866	WASHER, flat	1
38A	113983	RING, retaining, ext	2	101	248091	GUN, non-bleeder	1
38B	117726	WASHER, nylon	4	102	122104	VALVE PLATE, compressor	1
39	15D628	CONDUCTOR, ground	1	159	287227	KIT, fine finish	1
40	103785	RIVET	2				
41	287327	KIT, repair, shaft, bracket, pump assbly.	1	▲ Replacement Danger and Warning labels, tags and cards are available at no cost.			
42	287256	BRACKET, compressor	1				
43	118869	TUBE	1				