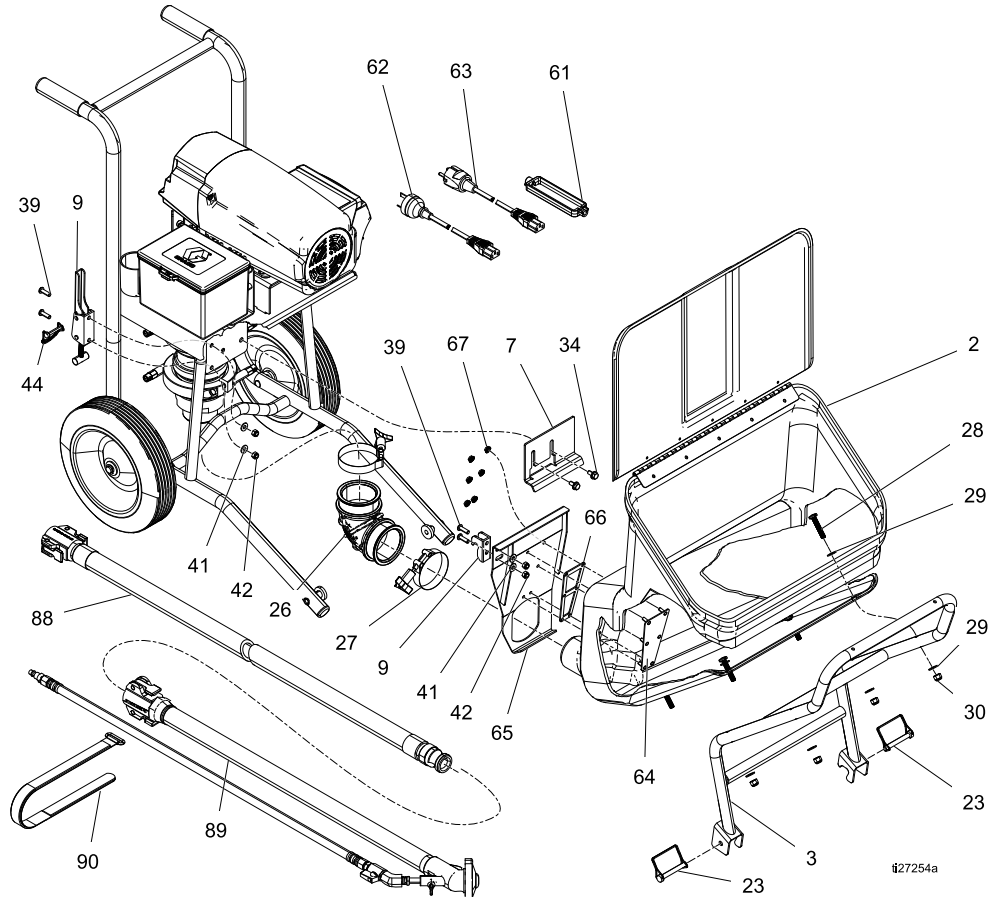


Graco ToughTek F340E

Parts

Parts

F340e Systems



Parts

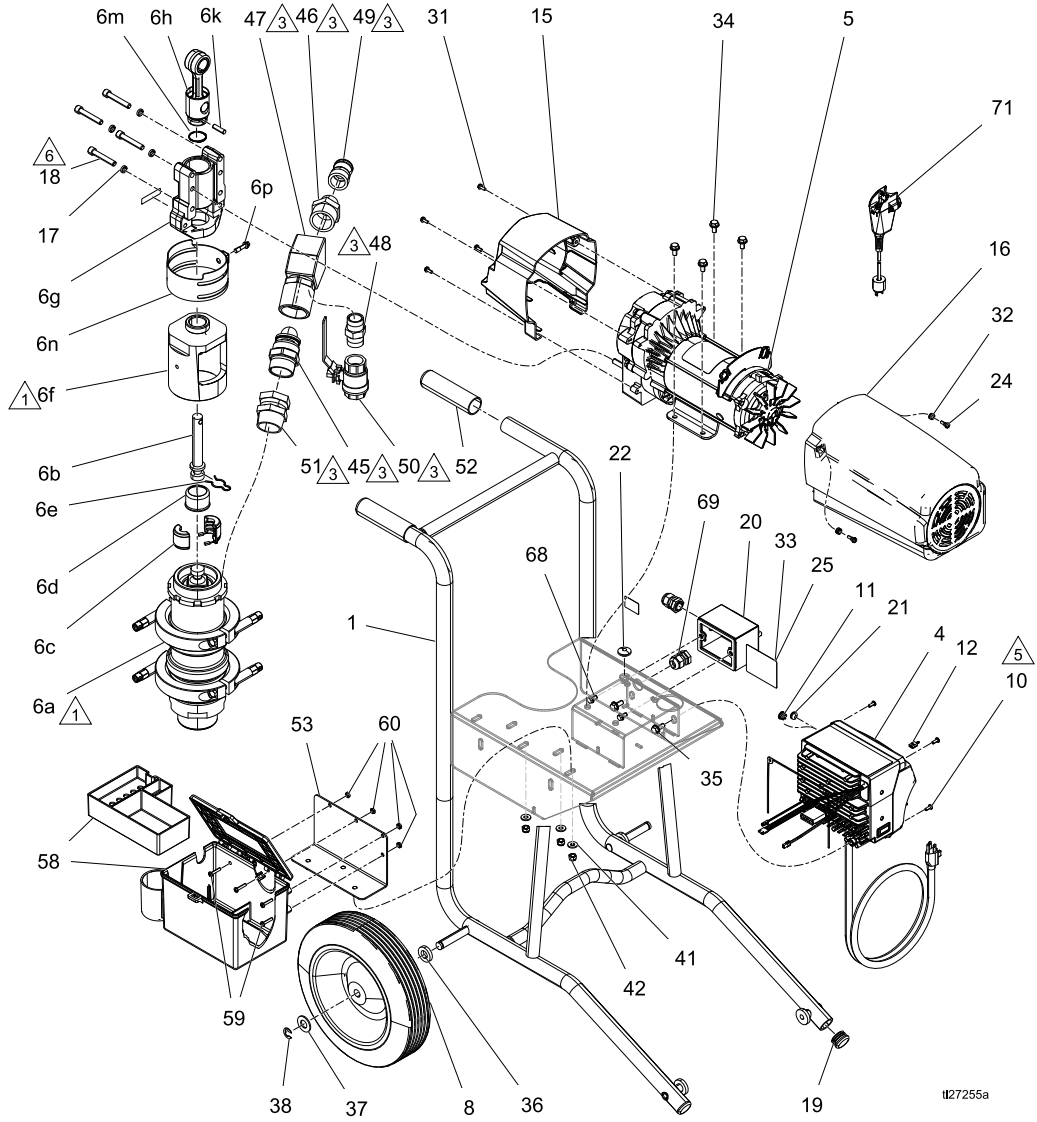
Ref.	Part	Description	Qty.	Ref.	Part	Description	Qty.
2	17J707	HOPPER, 340e, with cover	1	44	17H025	PIN, 1/4 in. x 1-3/8 in.	1
3	17J709	BRACKET, 340e, painted, hopper	1	61‡	195551	RETAINER, plug, adapter	1
7	17J812	BRACKET, stop, adjustable, 340e	1	62‡	242005	CORD SET, adapter, Australia	1
9	17J710	LATCH, adjustable	1	63‡	242001	CORD SET, adapter, Europe	1
23	17G368	PIN, 3/8 in.	2	64	†	PLATE, mount, threaded stud, 340e	1
26	17H193	BOOT, elbow, rubber, 3 in. ID	1	65	†	BRACKET, stop, hopper	1
27	17H196	CLAMP, hose, t-bolt	2	66	†	GASKET, hopper mount, 340e	1
28		SCREW, pan head, machine, 3/8-16 x 2 in.	4	67	†	NUT, hex, flange head	6
29	100731	WASHER	8	88	17G550	HOSE, 1 in. x 25 ft, 1000 psi	2
30	101566	NUT, lock	4	89	24Y619	APPLICATOR, texture, pole	1
34	111800	SCREW, cap, hex hd	6	90†	114271	STRAP, retaining	3
39	125112	SCREW, cap, btn hd, 5/16 in.	4				
41	100527	WASHER, plain	7			† See List of Kits below.	
42	111040	NUT, lock, insert, nylock, 5/16	7			‡ Only included in models 25A504 and 25A506.	

List of Kits

Kit	Description	Kit Contents: Ref. # (Qty.)
17J708	Stop brackets kit	64 (1), 65 (1), 66 (1), 67 (1)
240296	4 pack retaining straps	90 (4)

Parts

F340e (continued)



t127255a

Parts

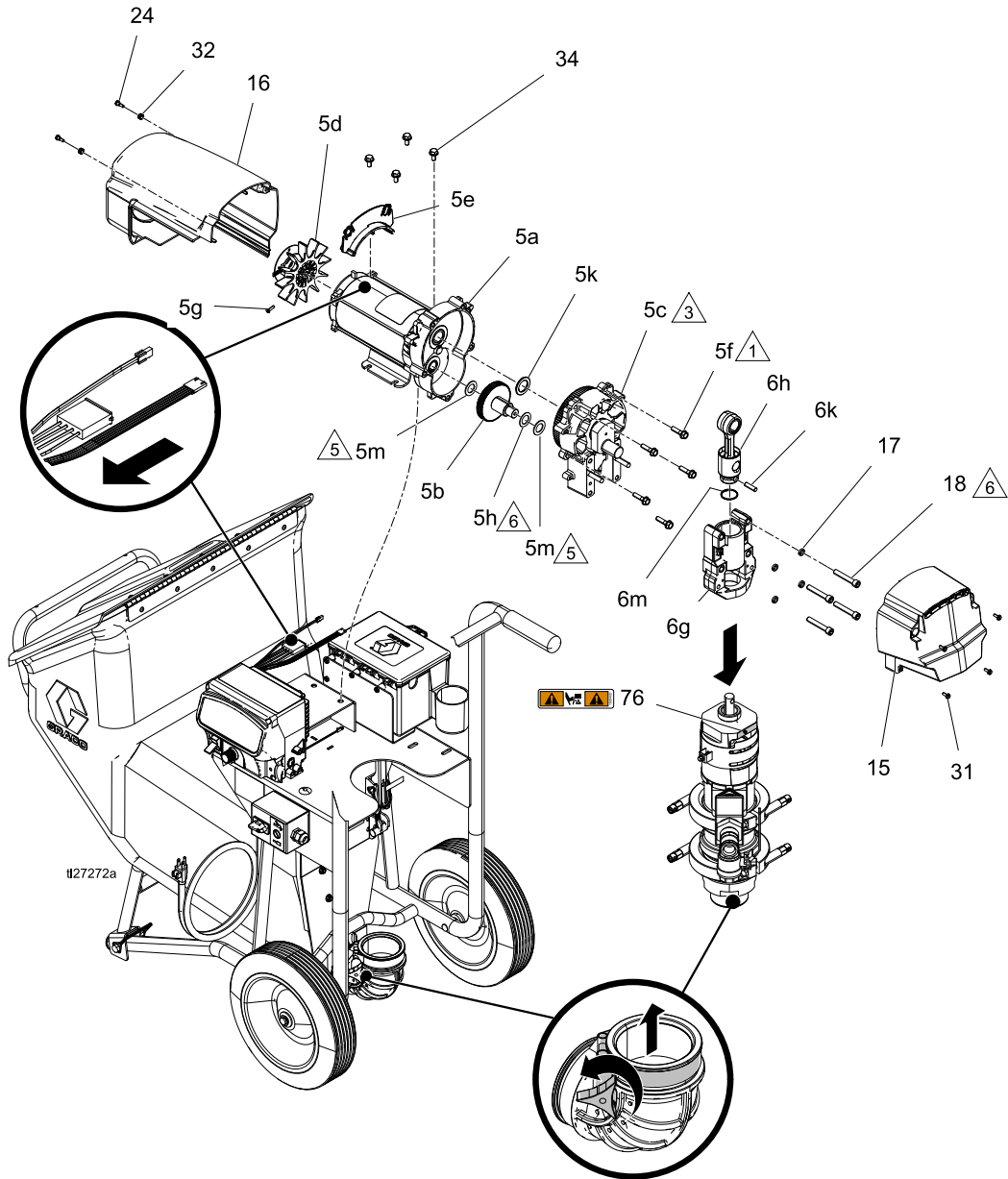
Ref.	Part	Description	Qty.	Ref.	Part	Description	Qty.
1	17G364	CART, 340e, painted	1	32	276980	GROMMET, cover	2
4	†	MODULE, 340e, motor control, 120V	1	34	111800	SCREW, cap, hex hd	6
	†	MODULE, 340e, motor control, 230V	1	35	117791	SCREW, cap, tri, lobe	2
5	17J711	MOTOR, 340e, pump	1	36	191824	WASHER, space	2
6a	17H190	PUMP, lower, F340e	1	37	111841	WASHER, plain, 5/8	2
6b	17G283	ROD, extension, piston, 340e	1	38	101242	RING, retaining, ext.	2
6c	244819	COUPLING, assembly, 145–290 Xtreme	1	41	100527	WASHER, plain	7
6d	197340	COVER, coupler	1	42	111040	NUT, lock, insert, nylock, 5/16 in.	7
6e	116407	CLIP, hairpin	1	45	17H194	VALVE, check, outlet, 1.5 in.	1
6f	17G279	ADAPTER, pump to motor, 340e	1	46	17G711	FITTING, straight, 1 1/2 x 1 npt	1
6g	287502	HOUSING, bearing	1	47	17G408	MANIFOLD, outlet, pump	1
6h	287395	ROD, connecting	1	48	17G388	FITTING, hose, 1–11 1/2 npt	1
6k	183210	PIN, str, hdls	1	49	15T116	COUPLER, male, cam and groove	1
6m	119778	SPRING, retaining	1	50	127232	VALVE, ball, 1000 psi, 1 in.	1
6n	†	GUARD, finger, weldment, 340e	1	51	113864	UNION, swivel, 1 1/2 npt	1
6p	†	BOLT, special, 5/16–24	1	52		GRIP, vinyl, gray, 1.25 in.	2
8	16G920	WHEEL, semi pneumatic, offset	2	53		BRACKET, F340e, mounting	1
10	16V095	SCREW, mach, pnh, torx, self tapping	4	58	†	TOOL BOX	1
11*	17H175	PLUG, round	1	59	†	SCREW, mach, pnh	4
12	17G720	WIRE, jumper, remote	1	60	†	NUT, keps, hex hd	4
15	†	COVER, front, plastic, painted	1	68	†	SCREW, flange, hex hd	2
16	†	SHIELD, motor, painted	1	69	†	BUSHING, strain relief	1
17	106115	WASHER, lock (hi collar)	4	71	17H197	SWITCH, remote, ON/OFF	1
18	114666	SCREW, cap, socket head	4	* Only included in models 25A500 and 25A504.			
19	17J304	PLUG, tube	2	†See List of Kits table.			
20	†	SWITCH, remote, 340e	1	⚠ ₁ Apply lubricant grease to threads.			
21	†	GROMMET, 3/16 in. ID x 9/16 in. OD	1	⚠ ₃ Apply pipe sealant to threads.			
22	†	GROMMET, 5/16 in. ID x 1 in. OD	1	⚠ ₅ Torque to 40–45 in-lb (4.5–5.0 N•m).			
24	119250	SCREW, shoulder	2	⚠ ₆ Torque to 25 +/-5 ft-lb (33.8 +/- 6.7 N•m).			
25		LABEL, transparent	1				
31	118444	SCREW, mach, slot, hex wash hd	4				

List of Kits

Kit	Description	Kit Contents: Ref. # (Qty.)
17J702	120V motor control module kit	4 (1), 10 (4), F340e Label (1)
17J755	230V motor control module kit	4 (1), 10 (4), F340e Label (1)
17J714	340e finger guard kit	6n (1), 6p (1)
17J704	Front cover kit	15 (1), 31 (4), F340e Label (1)
287282	Motor shield kit	16 (1), 24 (2), 32 (2)
17G554	Remote switch accessory kit	20 (1), 21 (1), 22 (1), 68 (1), 69 (1), 71 (1)
17J705	Tool box kit	58 (1), 59 (4), 60 (4)

Parts

Driver and motor



Parts

Ref.	Part	Description	Qty.	Ref.	Part	Description	Qty.
5a		MOTOR, electric	1	18	114666	SCREW, cap, socket head	4
5b		GEAR, combination	1	24	119250	SCREW, shoulder	2
5c		HOUSING, drive	1	31	118444	SCREW, mach, slot, hex wash hd	4
5d	15D088	FAN, motor	1	32	276980	GROMMET, cover	2
5e	278075	BRACKET, wire	1	34	111800	SCREW, cap, hex hd	6
5f	15C753	SCREW, mach, hex wash hd	5	76 ▲	192840	LABEL, warning	1
5g	115477	SCREW, mach, torx pan hd	1				
5h	114699	WASHER, thrust	1				
5k	116192	WASHER, thrust	1				
5m	114672	WASHER, thrust	2				
6g	287502	HOUSING, bearing	1				
6h	287395	ROD, connecting	1				
6k	183210	PIN, str, hdls	1				
6m	119778	SPRING, retaining	1				
15†		COVER, front, plastic, painted	1				
16†		SHIELD, motor, painted	1				
17	106115	WASHER, lock (hi collar)	4				

▲ Replacement Danger and Warning labels, tags, and cards are available at no cost.

† See List of Kits table.

1 Torque to 190–210 in-lb (21.4–23.7 N•m).

3 Apply lubricant to all gear teeth proportionally.

5 Copper colored washer.

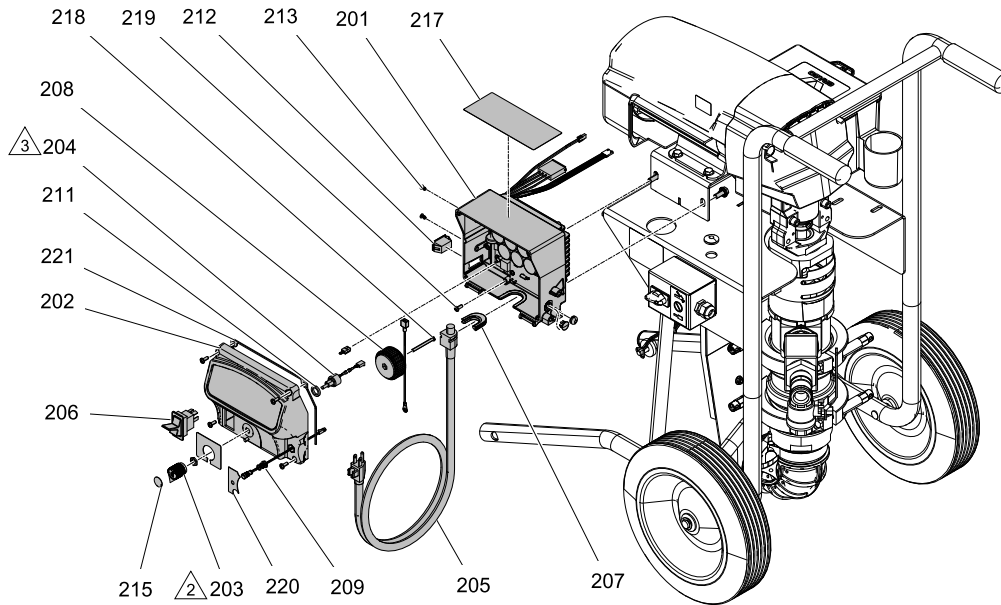
6 Steel colored washer.

List of Kits

Kit	Description	Kit Contents: Ref. # (Qty.)
17J711	340e pump motor	5 (1), Includes 5a-5h, 5k, 5m
17J704	Front cover kit	15 (1), 31 (4), F340e label (1)
287282	Motor shield kit	16 (1), 24 (2), 32 (2)

Parts

Control Box



Ref.	Part	Description	Qty.	Ref.	Part	Description	Qty.
201		CONTROL, board, 50 amp	1	213		PLUG, nylon	2
202		COVER, control, ultra, std	1	215		LABEL	1
203	116167	KNOB, potentiometer	1	216	16Y786	LABEL, control, elec, std	1
204	256219	POTENTIOMETER, assembly	1	217▲	16T784	LABEL, warning, EN/FR/ES	1
205	15H064	CORD, power	1	218	16U215	SCREW, phillips, pan hd, plastite	1
206	15D527	SWITCH, rocker, 240V	1	219	114391	SCREW, grounding	1
207	16T547	ADAPTER, cord	1	220		LABEL, control, 340e, proguard	1
208		COIL, filter	1	221		GASKET, housing, motor, control, 340e	1
209	16Z019	HARNESS, wiring, with light	1				
211	15C973	GASKET	1				
212	16T483	PLUG, hole, switch	1				

▲² Torque to 10–15 in-lb (1.1–1.7 N•m).

▲³ Torque to 30–35 in-lb (3.3–3.9 N•m).

▲ Replacement Danger and Warning labels, tags, and cards are available at no cost.

NOTE: All Control Box Parts listed above are included in both the 120V Motor Control Module Kit (17J702) and 230V Motor Control Module Kit (17J755).