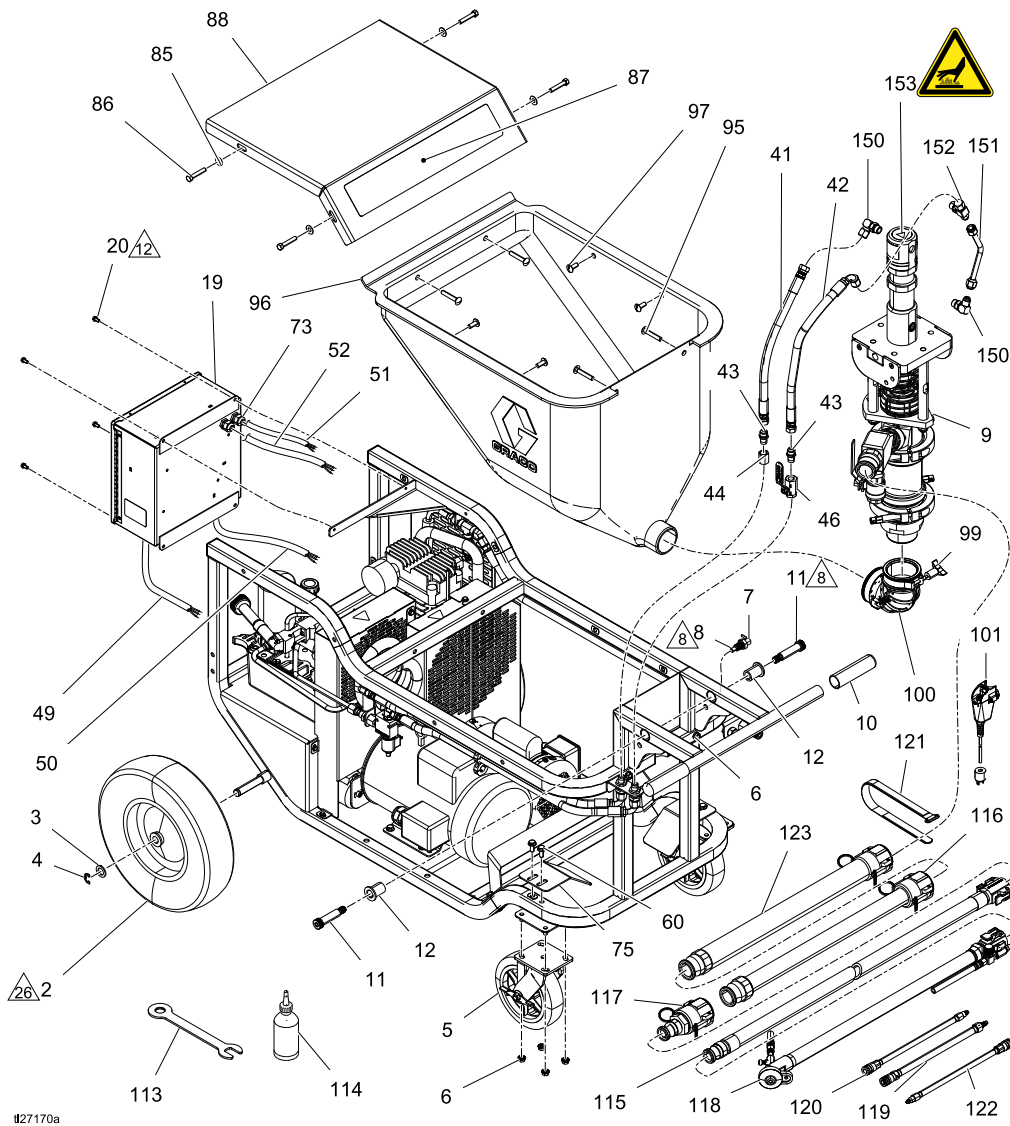


Graco ToughTek F680E

Parts

**Parts**

**F680e Parts**




#27170a


Parts


**F680e Parts List**

Ref.	Part	Description	Qty.	Ref.	Part	Description	Qty.
2	113362	WHEEL	2	96	25A315	TANK, 30 gal, 680e	1
3	154628	WASHER	2	97	17G248	SCREW, truss, slotted, 3/8-16 x 1	4
4	113436	RING, retainer	2	99	17H196	CLAMP, hose, t-bolt	2
5	17G235	CASTER, forged	2	100	17H193	BOOT, elbow, rubber, 3 in. ID	1
6	112958	NUT, hex, flanged	12	101	17H197	SWITCH, remote, on/off	1
7	17G245	NUT, 5/8-11 x 3/8 thk	1	113	127265	TOOL, wrench, ratchet, 5/8 in.	1
8	17G537	PLUNGER, spring	1	114	206994	FLUID, TSL, 8 oz. bottle	1
9	24Y236	PUMP, hydraulic, 680	1	115*	17G550	HOSE, 1 in. x 25 ft 1000 psi mwp	1
10	119975	GRIP, vinyl, gray	2	116*	17G551	HOSE, 1.25 in. x 50 ft, 750 psi mwp	1
11	17G236	SCREW, shoulder, .75 in. diameter	2	117*	17G767	COUPLER, 1.5 cmlk f x 1 cmlk	1
12	17G237	BEARING, bronze	2	118*	24Y619	APPLICATOR, texture, pole	1
19		ENCLOSURE, elec, 230V, with compressor	1	119*	24Y391	KIT, hose, coupled, 1/2 in. ID x 50 ft	1
20	107257	SCREW, thd forming	19	120*	24Y393	KIT, hose, coupled, 3/8 in. ID x 25 ft	1
41	17G257	HOSE, return, pivot	1	121*	114271	STRAP, retaining	4
42	17G260	HOSE, supply, pivot	1	122*	24Y392	KIT, hose, coupled, 3/8 in. ID x 50 ft	1
43	121311	FITTING, connector, npt x jic	2	123*	17G552	HOSE, 1.5 in. x 50 ft, 750 psi mwp	1
44	162024	COUPLING	1	150	117607	FITTING, elbow, std thd	1
46	117441	VALVE, ball	1	151	17G219	TUBE, hydraulic, driver	1
49	128553	HARNESS, motor, hydraulic, 680e	1	152	117609	FITTING, tee, branch, str thd	1
50	128554	HARNESS, motor, compressor, 680e	1	153▲	15B063	LABEL, warning, hot surface	1
51	128555	HARNESS, remote, switch, 680e	1				
52	128556	HARNESS, solenoid, 680e	1				
60	111192	SCREW, cap, flange hd	12				
73	114421	BUSHING, strain relief	1				
75	17G250	BRACKET, hopper, painted	2				
85		WASHER, 3/8 in. plain flat	4				
86	111803	SCREW, cap, hex hd	4				
87	†	LABEL, F680e	1				
88	†	BRACKET, top, painted	1				
95	17G246	BOLT, carriage, 3/8-16 x 2.25 in.	4				

† See **List of Kits** below.  
▲ Replacement Danger and Warning labels are available at no cost.  
\* Accessories — Not included in base models.

 Apply serviceable thread locker to threads.

 Torque to 120 +/- 5 in-lb (13.5 +/- 0.5 N\*m).

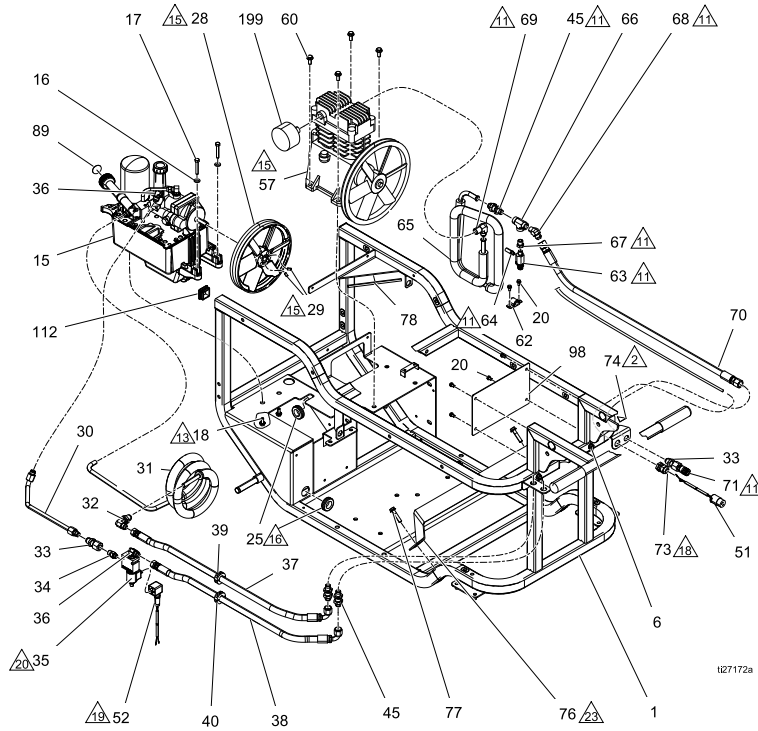
 Position wheel (2) with the grease fitting on the outside.

**List of Kits:**

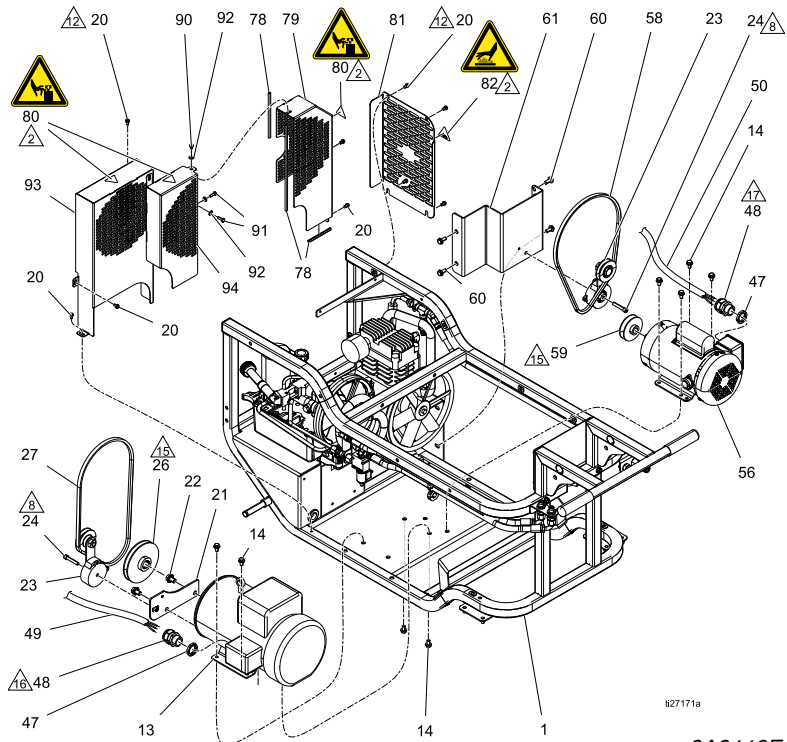
Kit	Description	Kit Contents: Ref. (Qty.)
25A316	F680e top cover	87 (1), 88 (1)

Parts

**F680e Parts (continued)**



1127172a



627171a

Parts

**F680e Parts List (continued)**

Ref.	Part	Description	Qty.	Ref.	Part	Description	Qty.
1		CART, 680e, weldment, painted	1	65	17K007	TUBE, cooling, compressor	1
6	112958	NUT, hex, retaining	12	66	114526	FITTING, tee, pipe	1
13	17K004	MOTOR, 230VAC, 4.0 hp	1	67	118758	FITTING, adapter	1
14	113802	SCREW, hex, hd, flanged 8	8	68	122533	FITTING, 45 degree elbow, #8 JIC x 3/8	1
15	25A321	RESERVOIR, assembly, F680e	1	69	121486	FITTING, elbow, male, 1/2 JIC x 1/2 npt	1
16	100527	WASHER, plain	2	70	17G255	HOSE, air	1
17	108481	SCREW, cap, hex hd	2	71	17H021	FITTING, coupling, qd, 1/4 in.	1
18	117791	SCREW, cap, tri lobe	2	73	114421	BUSHING, strain relief	1
20	107257	SCREW, thd forming	19	74▲	15K616	LABEL, caution	1
21	15H207	BRACKET, tensioner	1	76	17K021	BRACKET, support, hopper, painted	1
22	111802	SCREW, cap, hex hd	2	77	116780	SCREW, hex, hd, flanged	2
23	247853	ADJUSTER, belt, tensioner	2	78	†	TRIM, edge, protection	2
24	C19843	SCREW, cap, sockethead	2	79	†	GUARD, belt, air, side	1
25	17H048	GROMMET, 3/4 in. ID	2	80▲	16M768	LABEL, warning, ISO, pinch hazard	3
26	247845	PULLEY, drive, vee	1	81	†	GUARD, cooling, side, painted	1
27	125834	BELT, tri-power, AX48	1	82▲	16D646	LABEL, warning, ISO, hot surface	1
28	†	PULLEY, fan	1	89	15A464	LABEL, control	1
29	†	SCREW, set, 1/4 x 1/2	2	90	100157	SCREW, cap, hex hd	1
30	17G258	TUBE, supply	1	91	15X227	SCREW, cap hex head	3
31	17K006	TUBE, cooling, hydraulic fluid, return	1	92	110755	WASHER, plain	4
32	17G704	FITTING, 90 degree elbow, 3/4–16 unf	1	93	†	GUARD, belt, fluid	1
33	17G694	FITTING, straight, 3/4–16, nptf	2	94	†	GUARD, belt, air, top	1
34	17G706	FITTING, straight, 3/8–18 npt	1	98	17G254	COVER, splash, painted	1
35	17G261	SOLENOID, supply, switch	1	199	128736	KIT, air compressor filter	1
36	118896	FITTING	1				
37	17G256	HOSE, return	1				
38	17G259	HOSE, supply	1				
39	17H028	CLAMP, hose, .75 ID, stacking	1				
40	17H616	CLAMP, hose, .690 ID, stacking	1				
45	122401	ADAPTER, bulkhead, #8 JIC — #6 nptf	3				
47	†	NUT, bushing	2				
48	†	BUSHING, strain relief	2				
51	128555	HARNESS, remote switch, 680e	1				
52	128556	HARNESS, solenoid, 680e	1				
56	17K005	MOTOR, 230 VAC, 2.0 HP	1				
57	24N370	PUMP, compressor, air	1				
58	17G244	BELT, AX, air	1				
59	17G241	PULLEY, 2.6 in. pitch diameter	1				
60	111192	SCREW, cap, flange hd	12				
61		BRACKET, tensioner, air, painted	1				
62	128662	CLAMP, vibration damping	1				
63	17H606	VALVE, air, relief	1				
64	120206	MUFFLER, 1/8 npt	1				

† See **List of Kits** on the following page.

▲ **Replacement Danger and Warning labels are available at no cost.**

Locate approximately as shown.

Apply serviceable thread locker to threads.

Add PTFE thread seal tape to pneumatic fittings.

Torque to 120 +/- 5 in-lb (13.5 +/- 0.5 N·m).

Torque to 177.5 +/- 2.5 in-lb (20 +/- 0.28 N·m).

Align pulleys to belt tension adjuster (23) before installing the corresponding screws. Apply serviceable thread locker to the set screws.

Feed motor cable (49) through hole.

Feed motor cable (50) through hole.

Feed remote switch cable (51) through hole.

Feed solenoid cable (52) through hole.

Position cable plug toward the inside of the unit.

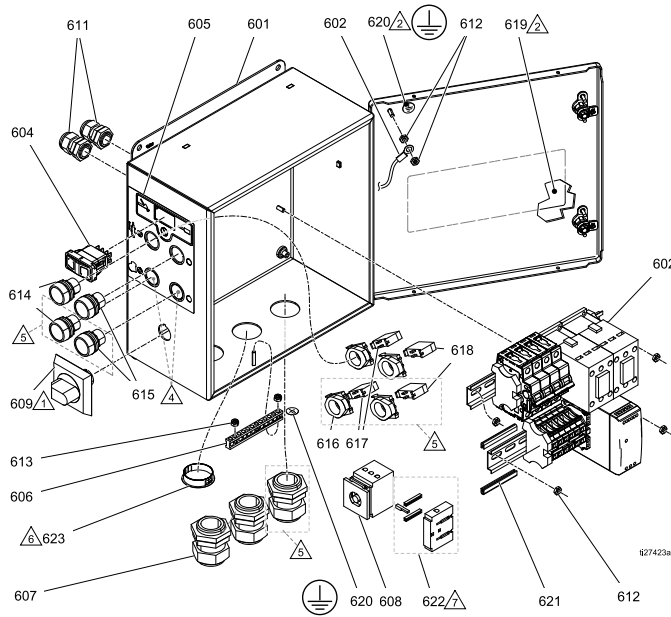
*Parts***List of Kits**

<b>Kit</b>	<b>Description</b>	<b>Ref. (Qty.)</b>
25A312	Hydraulic pump pulley and set screws	28 (1), 29 (2)
25A314	Air compressor side belt guard	78 (2), 79 (1), 80 (1)
25A318	Hydraulic pump belt guard	93 (1), 80 (1)
25A319	Air compressor top belt guard	94 (1), 80 (1)
25A321	F680e complete hydraulic pump and reservoir assembly	15 (1)
25A313	Bushing with nut	47 (1), 48 (1)

Parts

**Enclosure Parts**

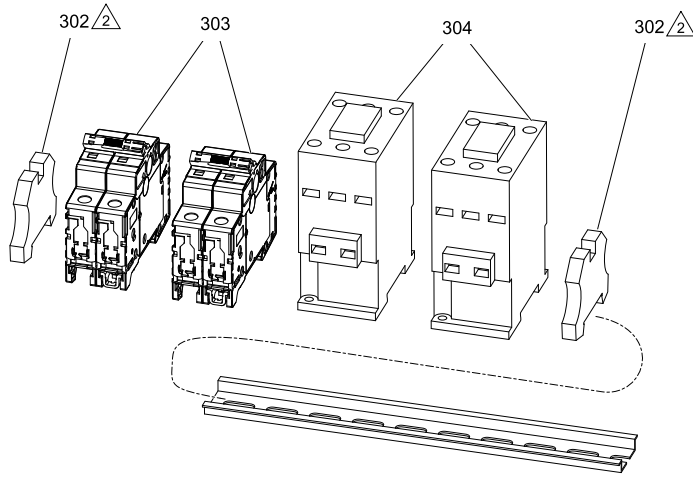
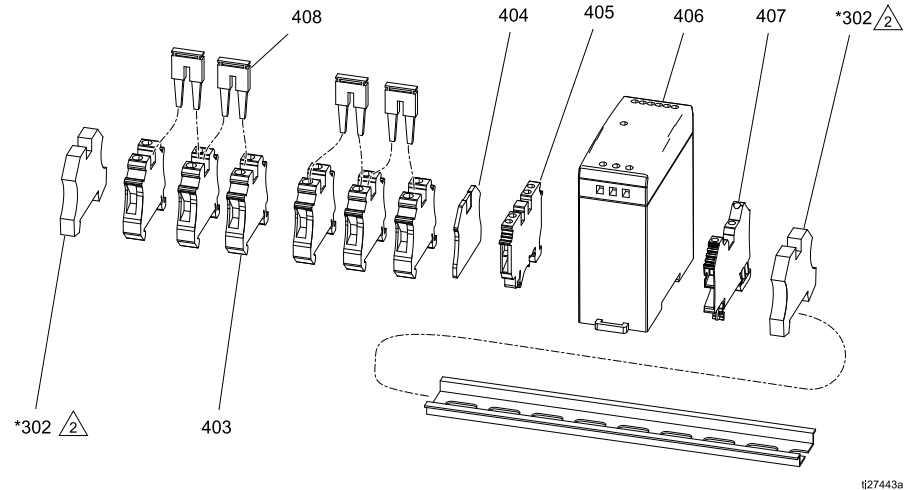
(Electrical enclosure for 24Y500 shown below)




Ref.	Part	Description	Qty.	Ref.	Part	Description	Qty.
601		ENCLOSURE, electrical	1	618	120495	BLOCK, switch, N.C.	2
602		MODULE, brkr, power supply, contact	1	619▲	16T784	LABEL, warning, ENG/FRE/SPA	1
604	17F719	SWITCH, rocker, 3-position	1	620	172953	LABEL, designation	1
605		LABEL, control, electrical enclosure	1	621		TRIM, edge protection	1
606	122313	BAR, ground, kit	1	622	126839	CONTACT, n-pole	1
607	117682	BUSHING, strain relief,	3	623	123398	PLUG, hole, 1/5 in. hole diameter	1
608	123970	SWITCH, disconnect, 40A	1	▲ Replacement Danger and Warning labels are available at no cost.			
609	123971	KNOB, disconnect, operator	1	1		Install disconnect switch (609). Make sure up is ON, and left is OFF.	
611	114421	BUSHING, strain relief	2	2		Locate approximately as shown.	
612	113505	NUT, keps, hex hd	4	5		For 24Y500 and 24Y504 only.	
613	109466	NUT, lock, hex	2	6		For 24Y502 and 24Y506 only.	
614	121618	SWITCH, start, push button, green	2	7		For 24Y504 and 24Y506 only.	
615	121619	SWITCH, stop, push button, red	2				
616	120493	LATCH, mounting	4				
617	120494	BLOCK, switch, N.O.	2				

Parts

**Breaker, Power Supply, Contact Module — 6 oz Parts**

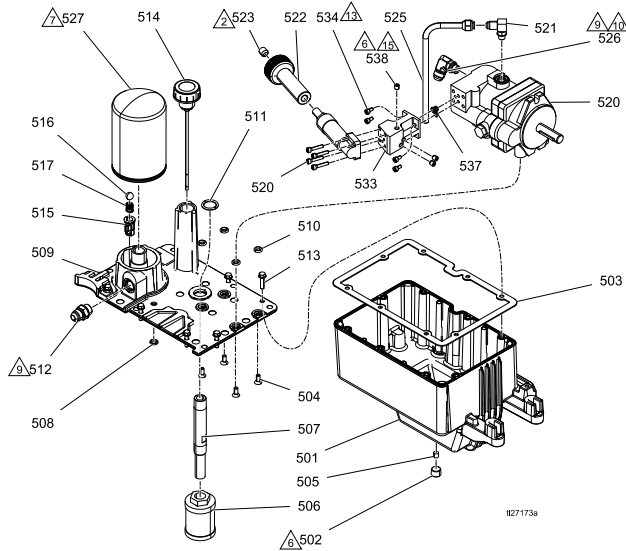


Ref.	Part	Description	Qty.	Ref.	Part	Description	Qty.
302	120838	BLOCK, clamp end	2	405	126812	BLOCK, ground, terminal	1
303	17B346	CIRCUIT, breaker, 2p, 20A, UL1077, AB	2	406	126453	POWER SUPPLY, 24V	1
304	255022	RELAY, contactor, 65A, 3p	2	407	24R723	BLOCK, terminal, quad M4, AB	1
401	514014	RAIL, mt. (cut to length at assembly)	0.71	408	120573	BRIDGE, plug-in (jumper)	4
403	120570	BLOCK, terminal	6				
404	120490	COVER, end	1				

 Torque the end stops to 4–5 in-lb (0.45–0.56 N•m).

Parts

**Reservoir Assembly Parts**



Ref.	Part	Description	Qty.	Ref.	Part	Description	Qty.
501		TANK, reservoir, blue	1	522		KNOB, pressure	1
502	101754	PLUG, pipe	1	523		SCREW, set, socket head	1
503	124604	GASKET, reservoir	4	525		TUBE, hydraulic, case drain	1
504		SCREW, mach, hex flat head	1	526	118896	FITTING	1
505	116618	MAGNET	1	527	†	FILTER, oil, spin on	1
506		FILTER, screen, suction, hyd	1	533	17G556	MANIFOLD, pump, 680e	1
507		TUBE, section	1	534	17G263	SCREW, cap, socket hd, M5 x 10mm	4
508		PACKING, o-ring	1	537	15C939	PACKING, o-ring	3
509		COVER, reservoir, 200HS, blue	1	538	118579	PLUG, pipe	3
510		PACKING, o-ring	4	▲ Replacement Danger and Warning labels are available at no cost.			
511		PACKING, o-ring	1	† See <b>List of Kits</b> below.			
512	120184	FITTING, hydraulic	1	⚠ Apply serviceable thread locker sealant.			
513		SCREW, mach, hex washer	8	⚠ Turn 3/4 of a turn after gasket contact, then apply a thin film of oil to gasket prior to assembly.			
514		CAP, breather, filler	1	⚠ Torque to 25 ft-lb (34 N•m).			
515	†	RETAINER, ball, pressure bypass	1	⚠ Tighten with o-ring, washer and jam nut fully retracted, orient and torque jam nut appropriately.			
516	†	BALL, metallic	1	⚠ Torque to 70 +/- 5 in-lb (7.9 +/- 0.5 N•m).			
517	†	SPRING, compression	1	⚠ Torque to 125 +/- 10 in-lb (14 +/- 1.1 N•m).			
520		PUMP, hydraulic	1				
521		FITTING, elbow, male, 90 degree	1				

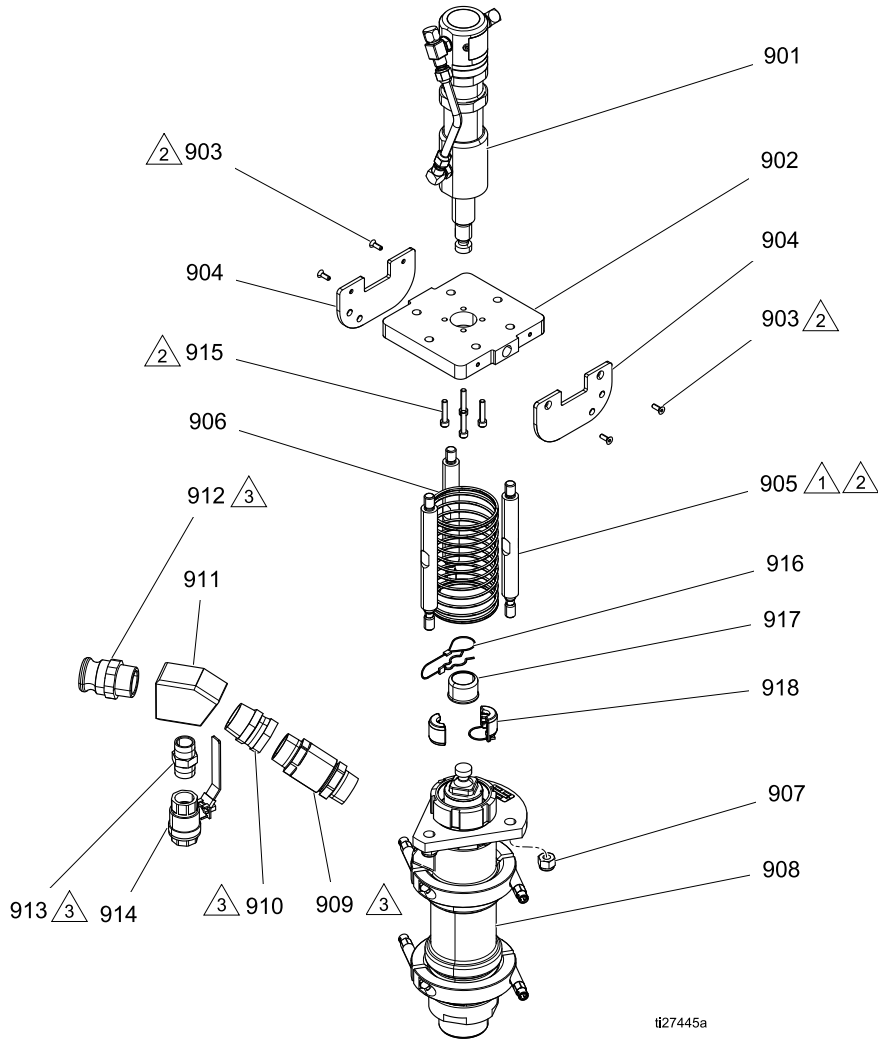
**List of Kits**

Kit	Description	Ref. # (Qty.)
246173	Kit, repair, oil filter	515 (1), 516 (1), 517 (1), 527 (1)
25A321	F680e complete hydraulic pump and reservoir assembly	All reservoir assembly parts listed above are included.






Parts

**Pump Line Parts**



Parts

**Pump Line Parts List**

Ref.	Part	Description	Qty.	Ref.	Part	Description	Qty.
901	25A230	DRIVER, 3.75 in. stroke, 2 in. diameter	1	913	17G388	FITTING, hose, 1–11 1/2 npt	1
902	17G587	PLATE, driver, 680, painted	1	914	127232	VALVE, ball, 1000 psi, 1 in.	1
903	103263	SCREW, mach flw, skt	4	915	113467	SCREW, cap, socket hd	4
904	17G588	BRACKET, pump, plunger, painted	2	916	244820	CLIP, hairpin, (with lanyard)	1
905	17G231	TIE, rod	3	917	197340	COVER, coupler	1
906	17G232	GUARD, spring, pump	1	918	244819	COUPLING, assembly, 145–290 Xtreme	1
907	101712	NUT, lock	3	† See <b>List of Kits</b> below.			
908	24Y513	LOWER, pump, 680	1		Torque to 55 +/- 5 ft-lb (74 +/- 6.7 N*m).		
909	17H194	VALVE, check, outlet, 1.5 in.	1		Apply serviceable thread locker to threads.		
910	113864	UNION, swivel, 1 1/2 npt	1		Apply pipe sealant to threads.		
911	17G408	MANIFOLD, outlet, pump	1				
912	128473	FITTING, 1.50 cmlk m x 1.50 npt	1				

**List of Kits**

Kit	Description	Ref. (Qty.)
24Y513	Complete assembled F680e pump lower	908 (1)
17H194	Complete 1.5 in. outlet check valve	909 (1)
25A320	Complete driver (4.75 in. stroke)	901 (1)