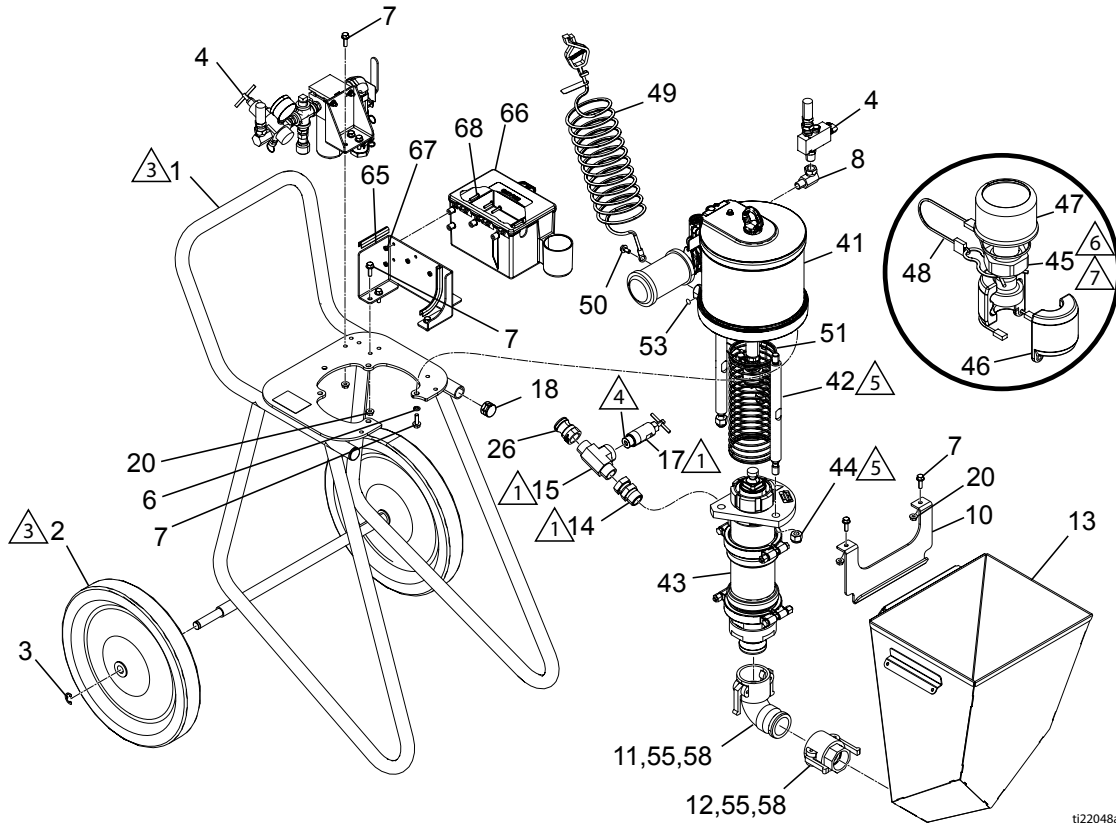


Graco ToughTek M680A



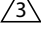
Parts

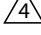
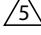
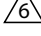
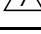
**Parts**

**M680 Systems**



ti22048a

-  Assemble fitting (15) and zero cavity relief valve (17) then assemble to swivel (14) with relief hole pointing downward or at the pump.
-  Apply pipe sealant to all non-swiveling pipe threads.
-  Apply clear, liquid petrolatum to axles (1) before assembling wheels (2).

-  Pack grease around the end of the zero-cavity relief valve in front of the threads.
-  Torque to 50–60 ft-lb (68–81 N•m).
-  Torque to 145–155 ft-lb (197–210 N•m).
-  Apply medium strength thread-locking fluid to threads.

Ref	Part	Description	Quantity						
			24T834	24T835	24T836	24T837	262909	262926	262927
1	262914	CART	1	1	1	1	1	1	1
2	116406	WHEEL	2	2	2	2	2	2	2
3	113436	RING, retaining	2	2	2	2	2	2	2
4	---	MODULE, air controls; see <a href="#">Air Controls</a>	1	1	1	1	1	1	1

Parts

Ref	Part	Description	Quantity						
			24T834	24T835	24T836	24T837	262909	262926	262927
6	104572	WASHER, lock spring	4	4	4	4	4	4	4
7■	114193	SCREW, machine, hex washer head	12	10	12	10	12	10	12
8	155470	SWIVEL, union, 90 degree	1	1	1	1	1	1	1
10■	---	BRACKET, hopper	1		1		1		1
11■	16V510	CAM AND GROOVE, elbow, 2 inch	1		1		1		1
12■	16V509	CAM AND GROOVE, 2 inch x 1-1/2 npt	1		1		1		1
13■	16U536	HOPPER	1		1		1		1
14	160022	UNION, adapter	1	1	1	1	1	1	1
15	127082	TEE, branch, female	1	1	1	1	1	1	1
17	16W513	VALVE, relief, zero cavity	1	1	1	1	1	1	1
18	---	PLUG, tubing, cart	2	2	2	2	2	2	2
20■	---	NUT, hex, flange, serrated	8	6	8	6	8	6	8
29	114958	STRAP, tie	10	10			10	10	10
30	110198	COUPLER, line, air	1	1			1	1	2
31	159841	BUSHING, 3/8 x 1/4 in.	1	1			1	1	2
32	169970	FITTING, line air	1	1			1	1	2
33	24U209	APPLICATOR, texture, pole					1	1	2
34	24T947	APPLICATOR, texture, flexible	1	1					1
41◆	M34LN0	MOTOR, air	1	1	1	1	1	1	1
42◆	16U817	ROD, tie, 10-5/8	3	3	3	3	3	3	3
43◆	24R253	LOWER, pump (see manual 332649)	1	1	1	1	1	1	1
44◆	101712	NUT, lock	3	3	3	3	3	3	3
45◆	15H392	ROD, adapter	1	1	1	1	1	1	1
46◆	244819	COUPLING, assembly	1	1	1	1	1	1	1
47◆	197340	COVER, coupler	1	1	1	1	1	1	1
48◆	244820	CLIP, hairpin with lanyard	1	1	1	1	1	1	1
49◆	262908	WIRE, ground, with clamp	1	1	1	1	1	1	1
50◆	111799	SCREW, cap, hex head	1	1	1	1	1	1	1
51◆	16V671	GUARD, spring	1	1	1	1	1	1	1
53▲	186620	LABEL, symbol, ground	1	1	1	1	1	1	1
55**	16W506	GASKET, 2 in, coupler, cam and groove (6-pack)	2		2		2		2
57**	16W490	O-RING, pump cylinder (10-pack)	2	2	2	2	2	2	2
59**	16A443	NOZZLE, 3/16 inch							1
60**	16A444	NOZZLE, 1/4 inch							1
61**	16A448	NOZZLE, 1/2 inch							1
62**	16A449	NOZZLE, 9/16 inch							1
63**	16W508	KIT, seals, pump							1
64**	127265	TOOL, wrench, ratchet	1	1	1	1	1	1	1

Parts

Ref	Part	Description	Quantity						
			24T834	24T835	24T836	24T837	262909	262926	262927
65	---	BRACKET, tool box	1	1	1	1	1	1	1
66	---	KIT, tool box	1	1	1	1	1	1	1
67	113505	NUT, keps, hex head	4	4	4	4	4	4	4
68	107251	SCREW, machine, panhead	4	4	4	4	4	4	4
98	24T854	BUNDLE, hose, 35 ft	1	1			1	1	1
99	24R254	BUNDLE, hose, extension, 25 ft							1

▲ Replacement Danger and Warning labels, tags, and cards are available at no cost.

\* Parts included in Pack Out Hose Clean Kit 16W601 (purchase separately).

■ Parts included in Hopper Replacement Kit 24T853 (purchase separately).

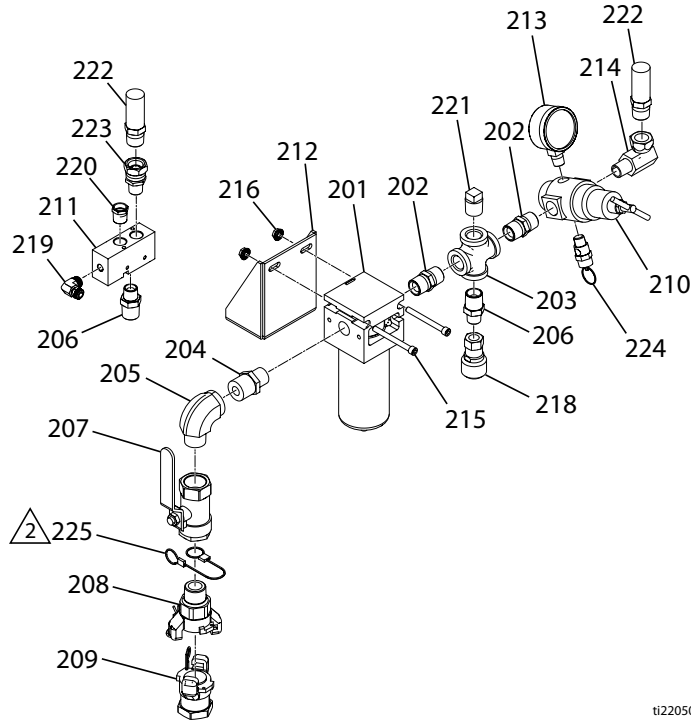
◆ Parts included in Pump 16W514 (purchase separately). See manual 332650.

\*\* Spare parts shipped with machine.

--- Not for sale.

Parts

**Air Controls**



ti22050a

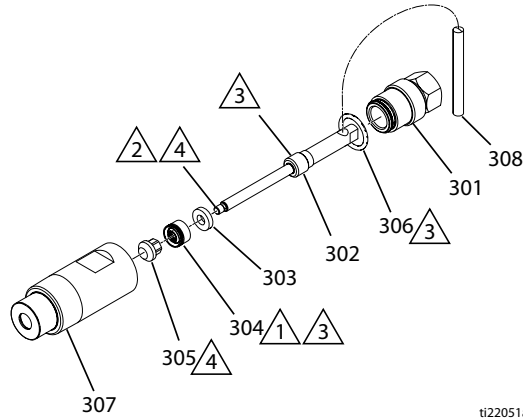
- 1 Apply pipe sealant to all non-swiveling pipe threads.
- 2 Assemble one end of lanyard between ball valve (207) and fitting (208). One end hangs loose.

Ref	Part	Description	Qty	Ref	Part	Description	Qty
201	262658	FILTER, air, 40 micron	1	213	160430	GAUGE, pressure, air	1
202	158491	FITTING, nipple	2	214	155470	FITTING, swivel, union, 90 degree	1
203	C20432	FITTING, cross, pipe	1	215	101950	SCREW, socket head cap, 1/4 x 2.5 inch	2
204	C20461	FITTING, nipple, reducing, hex	1	216	115942	NUT, hex, flange head	2
205	---	FITTING, elbow, street	1	218	110198	COUPLER, line, air	1
206	159239	FITTING, nipple, pipe, reducing	2	219	127313	FITTING, elbow	1
207	113332	VALVE, ball, vented, 0.750	1	220	111881	MUFFLER	1
208	113429	COUPLING, universal, 3/4-14 npt male	1	221	100737	PLUG, pipe	1
209	113430	COUPLING, universal, 3/4-14 npt female	1	222	218093	HOSE, coupled	1
210	104267	REGULATOR, air	1	223	162505	FITTING, union, swivel	1
211	16W146	VALVE, 3-way, pilot operated	1	224	113498	VALVE, safety, 110 psi	1
212	---	BRACKET, air controls	1	225	16W586	CABLE, lanyard, whip check	1

--- Not for sale.

Parts

**Zero Cavity Relief Valve, 16W513**



ti22051a

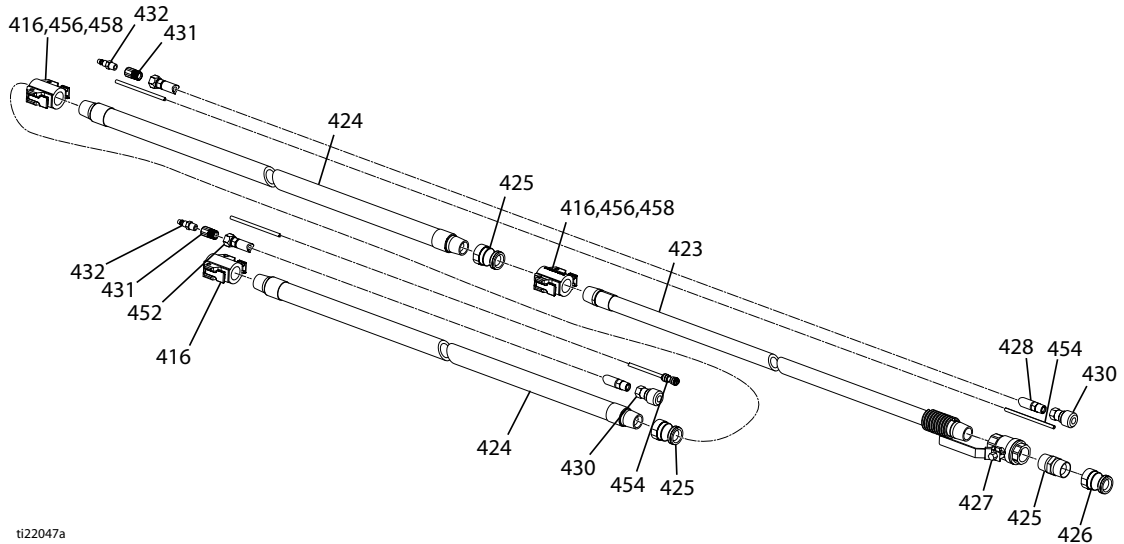
- △1 Use assembly tool 15T630 to install seal (304).
- △2 Apply medium strength thread-locking fluid to threads prior to installing seat (305).
- △3 Apply lithium grease to seal, thread, and o-ring.
- △4 Torque to 95–105 in-lb (10.7–11.9 N•m).

Ref	Part	Description	Qty	Ref	Part	Description	Qty
301	---	HOUSING, end	1	305	16V956	SEAT	1
302	16U807	STEM	1	306	15Y627	O-RING, PTFE	1
303	15M189	SPACER, backup, seal	1	307	16V957	HOUSING	1
304	15M529	SEAL, check valve	1	308	102915	PIN, drive	1

--- Not for sale.

Parts

**Hose Bundles**



ti22047a

Ref	Part	Description	Quantity			
			24T854 (35 ft bundle)	24R254 (25 ft bundle)	24U331 (38 ft air hose bundle)	24T852 (25 ft air hose bundle)
416	289874	COUPLER KIT, 1 in. female cam/groove	2	1		
421	24U184	COVER, hose, plastic, 2 in. x 50 ft	1	1		
422	24U185	COVER, hose, plastic, 3 in. x 50 ft	1	1	1	1
423	16W512	HOSE, fluid, 3/4 in., coupled, 10 ft	1			
424	16W511	HOSE, fluid, 1 in., coupled, 25 ft	1	1		
425*	15T116	COUPLER, male, cam and groove, 1 in.	2	1		
426*	158585	FITTING, nipple	1	1		
427	127232	VALVE, ball, 1 inch, stainless steel, 1000 psi	1	1		
428	24T762	HOSE, air and pilot in scuff jacket, 38 ft			1	
429	114958	STRAP, tie	10	10		
430	110198	COUPLER, line, air	1	1	1	1
431	159841	BUSHING, 3/8 x 1/4 in.	1	1	1	1
432	169970	FITTING, line air	1	1	1	1
452	24T829	HOSE, bundle, air, 26 ft			1	1
454	127312	FITTING, 1/4 to 1/4 tube	1	1	1	1
456	16W507	GASKET, coupler, 1 in. (6-pack)	2	2		
458	240296	STRAP (4-pack)	2	2		

\* Parts included in Pack Out Hose Clean Kit 16W601 (purchase separately).

--- Not for sale.