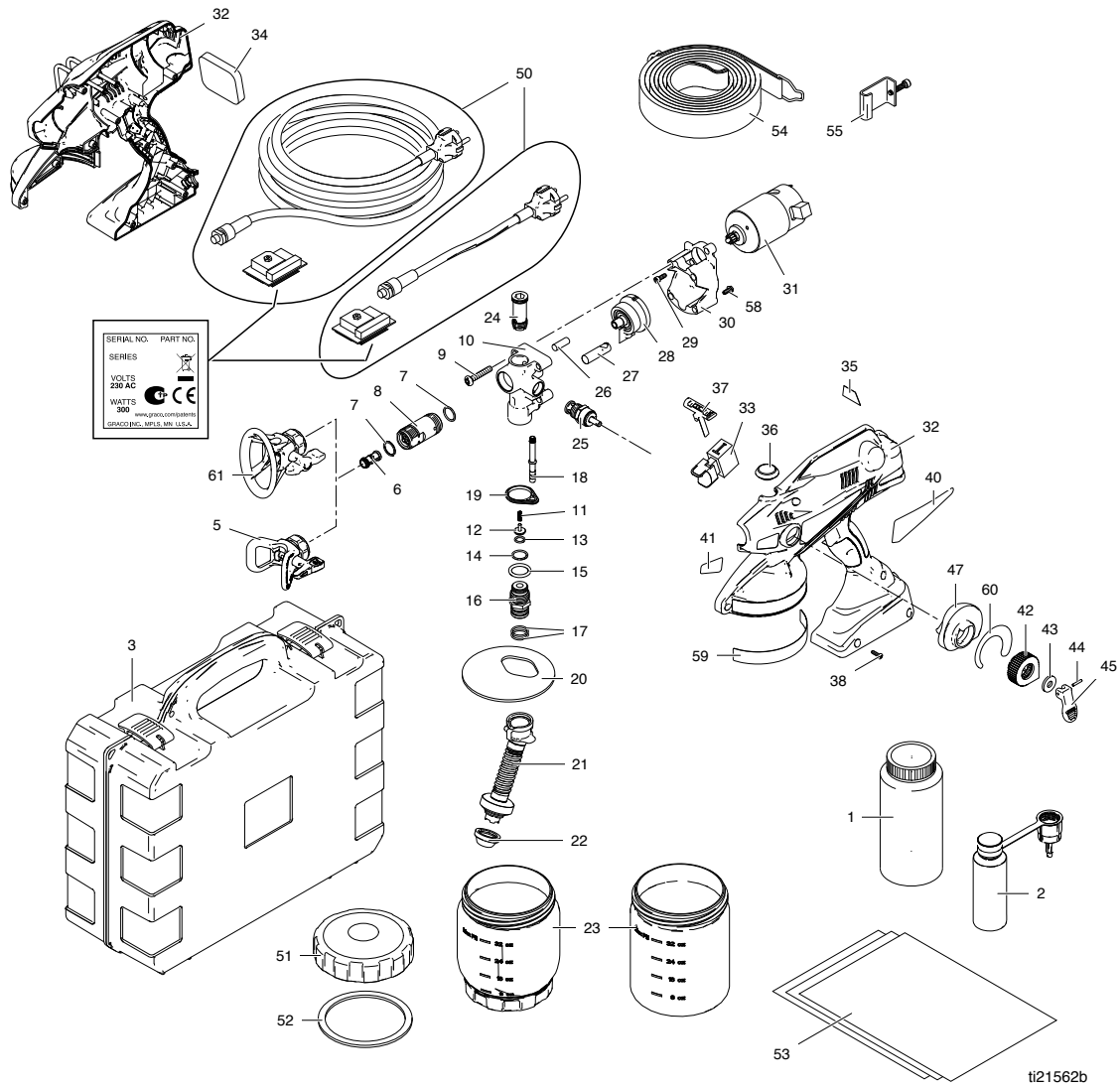


Graco TrueCoat Pro-X Gen II Electric

Replacement Parts

Replacement Parts

Models 16N661, 16N662, 16N663, 16N667, 16P122, 16W104, 17C242, 17Z811



ti21562b

Replacement Parts

Parts List - 16N661, 16N662, 16N663, 16N667, 16P122, 16W104, 17C242, 17C811

| Ref. | If you have this model sprayer (model number is the same as the part number, which is below the handle) | Order Part Number: | Description |
|------|---|-----------------------|--|
| 1 | All models | 243103 | Pump Armor (32 oz) |
| 2 | Model 16N667, 17C811 | 16M816 | Startup/Storage Kit |
| | Models 16N661, 16N662, 16N663, 16P122, 16W104, 17C242 | 16P358 | Startup/Storage Kit |
| 3 | Model 16N667, 17C811 | 24F078 | Blue Storage Case (Not included with all models) |
| | Models 16N663, 16P122 | 16P463 | Black Storage Case (Not included with all models) |
| 5 | Model 16N667, 17C811 | PST211 | 211 Spray Tip/Guard Assembly |
| | Model 16N667, 17C811 | PST213 | 213 Spray Tip/Guard Assembly |
| | Model 16N667, 17C811 | PST315 | 315 Spray Tip/Guard Assembly |
| | Model 16N667, 17C811 | PST411 | 411 Spray Tip/Guard Assembly |
| | Model 16N667, 17C811 | PST413 | 413 Spray Tip/Guard Assembly |
| | Model 16N667, 17C811 | PST515 | 515 Spray Tip/Guard Assembly (included with model 16N667, 17C811) |
| | Model 16N667, 17C811 | PST517 | 517 Spray Tip/Guard Assembly |
| 6 | All models | 24E376 | 1 pack Spray Tip Filter |
| | All models | 24F039 | 3 pack Spray Tip Filter |
| 7 | All models | 108195 | Needle Assembly O-ring |
| 8 | Models 16N661, 16N662, 16N663, 16P122, 16W104, 17C242 | 262438 | Needle Assembly Kit: includes parts 7 (qty. 2), 8 |
| | Model 16N667, 17C811 | 262437 | Needle Assembly Kit: includes parts 7 (qty. 2), 8 |
| 9 | All models | 115478 | Screw |
| 10 | All models | 16M867 | Complete Pump Assembly w/Adjustable Prime/Spray Valve: includes parts 10, 11-17, 20, 24-28, 44, 55 |
| | All models | 16T447 | Pump Housing Only: includes parts 10, 20, 26, 27, 44, 55 |
| 11 | All models | 262602 | Inlet valve Repair Kit; includes 11, 12, 13 |
| 12 | All models | 262602 | Inlet valve Repair Kit; includes 11, 12, 13 |
| 13 | All models | 262602 | Inlet valve Repair Kit; includes 11, 12, 13 |
| 14 | All models | 109576 | O-ring |
| 15 | All models | 119790 | O-ring |
| 16 | All models | 16P151 | Inlet/Outlet Valve Repair Kit: includes parts 11-17, 24 |
| 17 | All models | 106553 | Suction Tube O-ring |
| 18 | Models 16N663, 16P122 | 16P465 | Enclosure Replacement Kit: includes parts 20, 32, 34-37, 38 (qty. 10), 39, 44, 55 |
| | Model 16N662 | 16P466 | Enclosure Replacement Kit: includes parts 20, 32, 34-37, 38 (qty. 10), 39, 44, 55 |
| | Models 16N661, 16N667, 16W104, 17C242, 17C811 | 16P473 | Enclosure Replacement Kit: includes parts 20, 32, 34-37, 38 (qty. 10), 39, 44, 55 |
| 19 | Models 16N663, 16P122 | 16P465 | Enclosure Replacement Kit: includes parts 20, 32, 34-37, 38 (qty. 10), 39, 44, 55 |
| | Model 16N662 | 16P466 | Enclosure Replacement Kit: includes parts 20, 32, 34-37, 38 (qty. 10), 39, 44, 55 |
| | Models 16N661, 16N667, 16W104, 17C242, 17C811 | 16P473 | Enclosure Replacement Kit: includes parts 20, 32, 34-37, 38 (qty. 10), 39, 44, 55 |
| 20 | All models | 16E403 | Sprayer Cup Seal |
| 21 | All models | 16P121 | Flexible Suction Tube Kit: includes parts 17 (qty. 2), 21, 22 |
| 22 | All models | 16N522 | Flexible Suction Tube Strainer |

(Parts List continues on next page)

Replacement Parts

**Parts List - Models 16N661, 16N662, 16N663, 16N667, 16P122, 16W104, 17C242, 17C811
(Continued)**

| Ref. | If you have this model sprayer (model number is the same as the part number, which is below the handle) | Order Part Number: | Description |
|------|---|-----------------------|--|
| 23 | Models 16N661, 16N662, 16W104, 17C242 | 24E374 | 32 oz Material Cup: includes parts 23, 51, 52 |
| | Models 16N661, 16N662, 16W104, 17C242 | 24E375 | 48 oz Material Cup: includes parts 23, 51, 52 |
| | Models 16N663, 16P122, 16N667, 17C811 | 16D560 | 32 oz Material Cup: includes parts 23, 51, 52 |
| | Models 16N663, 16P122, 16N667, 17C811 | 16D561 | 48 oz Material Cup: includes parts 23, 51, 52 |
| 24 | All models | 16P151 | Inlet/Outlet Valve Repair Kit: includes parts 11-17, 24 |
| 25 | All models | 16M873 | Adjustable Prime/Spray Valve Repair Kit: includes 25, 42-45 |
| 26 | All models | 16M867 | Complete Pump Assembly w/Adjustable Prime/Spray Valve: includes parts 10-20, 24-28, 44, 49, 55 |
| | All models | 16T447 | Pump Housing Only: includes parts 10, 20, 26, 27, 44, 55 |
| 27 | All models | 16M867 | Complete Pump Assembly w/Adjustable Prime/Spray Valve: includes parts 10, 11-17, 20, 24-28, 44, 49, 55 |
| | All models | 16T447 | Pump Housing Only: includes parts 10, 20, 26, 27, 44, 55 |
| 28 | All models | 16M864 | Reciprocator Assembly Kit: includes parts 20, 28, 44, 55 |
| 29 | All models | 115263 | Motor Mount Screw |
| 30 | All models | 16M925 | Drive Housing Assembly Kit: includes parts 9 (qty. 4), 20, 29 (qty. 2), 30, 44, 55, 58 |
| 31 | Models 16N661, 16N662, 17C242 | 16P427 | Motor/Control Board Kit: includes parts 20, 29 (qty. 2), 31, 33, 34, 44, 50, 55, 58 |
| | Model 16N667, 17C811 | 16T445 | Motor/Control Board Kit: includes parts 20, 29 (qty. 2), 31, 33, 34, 44, 50, 55, 58 |
| | Models 16N663, 16P122 | 24T887 | |
| | Model 16W104 | 24W362 | |
| 32 | Models 16N663, 16P122 | 16P465 | Enclosure Replacement Kit: includes parts 20, 32, 34-37, 38 (qty. 10), 39, 44, 55 |
| | Model 16N662 | 16P466 | Enclosure Replacement Kit: includes parts 20, 32, 34-37, 38 (qty. 10), 39, 44, 55 |
| | Models 16N661, 16N667, 16W104, 17C242, 17C811 | 16P473 | Enclosure Replacement Kit: includes parts 20, 32, 34-37, 38 (qty. 10), 39, 44, 55 |
| 33 | All models | 16P666 | Switch Kit: includes parts 20, 33, 44, 55 |
| 34 | Models 16N663, 16P122 | 16P465 | Enclosure Replacement Kit: includes parts 20, 32, 34-37, 38 (qty. 10), 39, 44, 55 |
| | Model 16N662 | 16P466 | Enclosure Replacement Kit: includes parts 20, 32, 34-37, 38 (qty. 10), 39, 44, 55 |
| | Models 16N661, 16N667, 16W104, 17C242, 17C811 | 16P473 | Enclosure Replacement Kit: includes parts 20, 32, 34-37, 38 (qty. 10), 39, 44, 55 |
| 35 | All models | 16F636 | Made in USA Label |
| 36 | All models | 16C936 | Outlet Valve Access Plug |
| 37 | Models 16N663, 16P122 | 16P465 | Enclosure Replacement Kit: includes parts 20, 32, 34-37, 38 (qty. 10), 39, 44, 55 |
| | Model 16N662 | 16P466 | Enclosure Replacement Kit: includes parts 20, 32, 34-37, 38 (qty. 10), 39, 44, 55 |
| | Models 16N661, 16N667, 16W104, 17C242, 17C811 | 16P473 | Enclosure Replacement Kit: includes parts 20, 32, 34-37, 38 (qty. 10), 39, 44, 55 |
| 38 | All models | 119236 | Enclosure Screw |
| 40 | Model 16N661 | 16P153 | Side Brand Label |
| | Model 16N662 | 16P155 | Side Brand Label |
| | Model 16N663 | 16P156 | Side Brand Label |
| | Model 16N667 | 16P158 | Side Brand Label |
| | Model 16W104 | 16N558 | Side Brand Label |
| | Model 17C242 | 17C446 | Side Brand Label |
| | Model 17C811 | 17C876 | Side Brand Label |

(Parts List continues on next page)

Replacement Parts

Parts List - Models 16N661, 16N662, 16N663, 16N667, 16P122, 16W104, 17C242, 17C811 (Continued)

| Ref. | If you have this model sprayer (model number is the same as the part number, which is below the handle) | Order Part Number: | Description |
|--|---|-----------------------|---|
| 41 | Model 16N661 | 16P152 | Front Brand Label |
| | Model 16N662 | 16P154 | Front Brand Label |
| | Models 16N663, 16N667, 16W104, 17C811 | 16P162 | Front Brand Label |
| | Model 17C242 | 17C445 | Front Brand Label |
| 42 | All models | 16M873 | Adjustable Prime/Spray Valve Repair Kit: includes parts 25, 42-45 |
| 43 | All models | 16M873 | Adjustable Prime/Spray Valve Repair Kit: includes parts 25, 42-45 |
| 44 | All models | 119956 | Pin |
| 45 | All models | 262604 | Prime Valve Handle: includes parts 44, 45 |
| 47 | All models | 16N448 | Pressure Adjust Stop |
| 50 | Models 16N661, 16N662, 17C242 | 16P427 | Motor/Control Board Kit: |
| | Model 16W104 | 24W362 | includes parts 20, 29 (qty. 2), 31, 33, 34, 44, 50, 55, 58 |
| | Model 16N667, 17C811 | 16T445 | Motor/Control Board Kit with 230 Vac 15 ft (4.5 m) cord: |
| | Models 16N663, 16P122 | 24T887 | includes parts 20, 29 (qty. 2), 31, 33, 34, 44, 50, 55, 58 |
| 51 | All models | 24D425 | Material Cup Cover: includes parts 51, 52 |
| 52 | All models | 16C650 | Seal for Material Cup |
| 53 | All models | 16D562 | Cup Liner Replacement (10 pack) |
| 54 | All models | 24E377 | Shoulder Strap |
| 55 | All models | 16M945 | Enclosure Clip |
| 58 | All models | 115498 | Ground Screw |
| 59 | Models: 16N663, 16N667, 17C811 | 16R892 | Cup Lip Brand Label |
| 60 | All models | 16R889 | Pressure Control Label |
| 61 | Models 16N661, 16N662, 16N663, 16P122, 16W104, 17C242 | NAR311 | 311 Spray Tip/Guard Assembly |
| | Models 16N661, 16N662, 16N663, 16P122, 16W104, 17C242 | NAR315 | 315 Spray Tip/Guard Assembly |
| | Models 16N661, 16N662, 16N663, 16P122, 16W104, 17C242 | XWD515 | 515 Spray Tip/Guard Assembly (included with models 16N661, 16N662, 16W104) |
| | Models 16N661, 16N662, 16N663, 16P122, 16W104, 17C242 | XWD517 | 517 Spray Tip/Guard Assembly (included with models 16N663, 16P122) |
| 60 | All models | 16R889 | Pressure Control Label |
| Not Shown | | ▲24E609 | Warning Labels Replacement Kits ENG/FRE/SPA |
| | | ▲24E554 | Warning Labels Replacement Kits Europe Multi-Language (23 Total) |
| | | ▲16P004 | Warning Labels Replacement Kits CHI/JAP/KOR |
| ▲ Replacement Danger and Warning labels, tags, and cards are available at no cost. | | | |