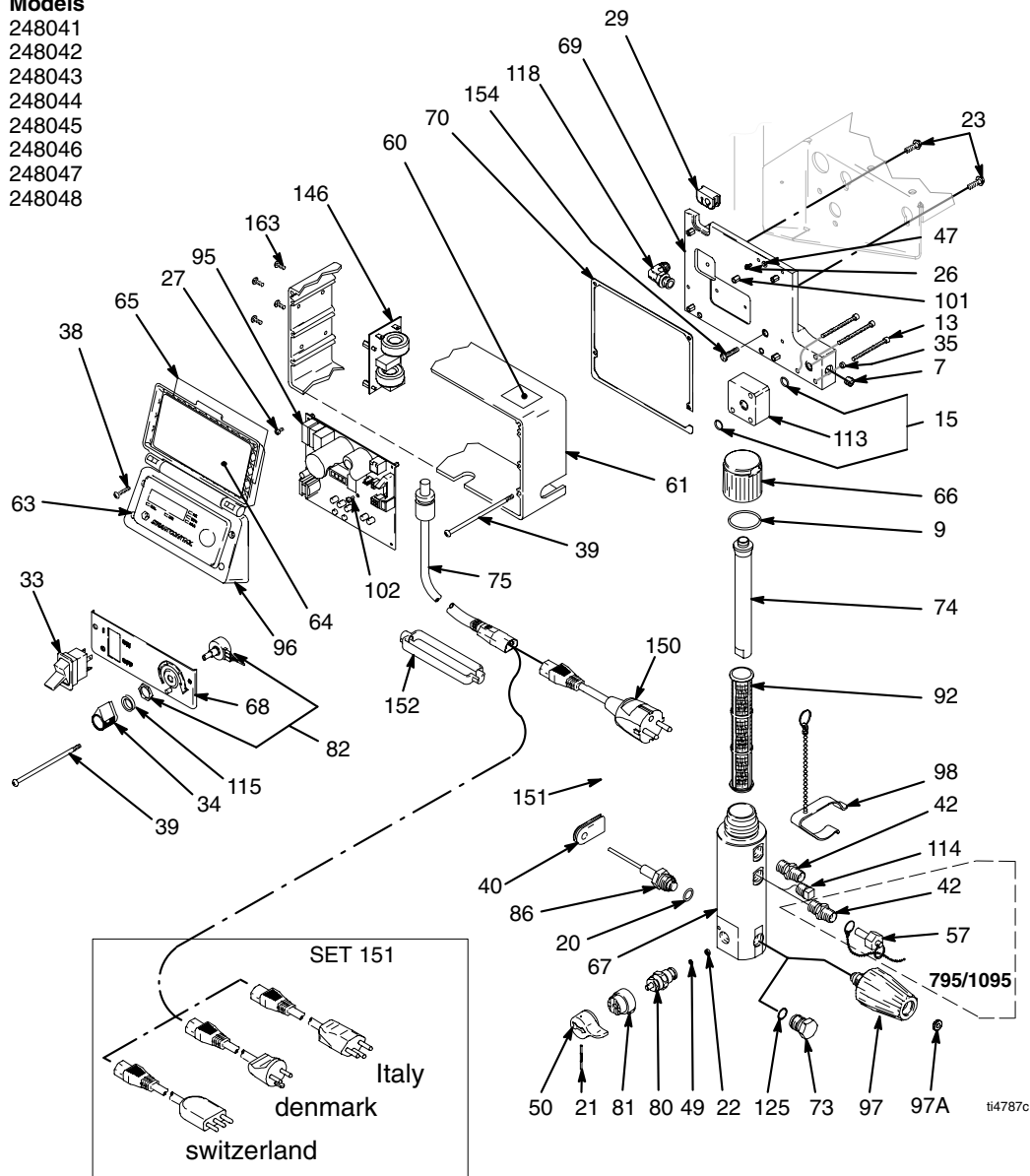


Graco UltraMax II 1095

Parts Drawing - Sprayer

Models

- 248041
- 248042
- 248043
- 248044
- 248045
- 248046
- 248047
- 248048

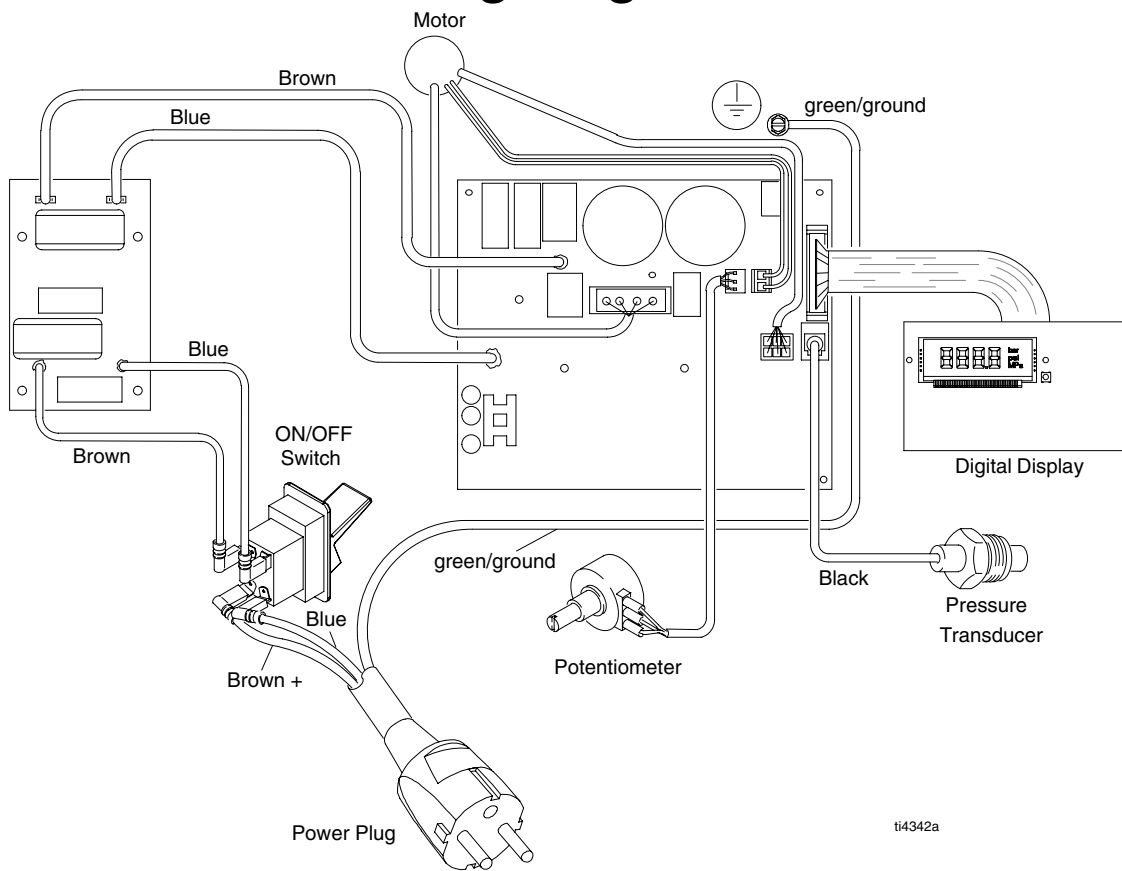


Parts List - Sprayer

Ultra Max II 695/795/1095

| REF NO. | PART NO. | DESCRIPTION | QTY | REF NO. | PART NO. | DESCRIPTION | QTY |
|---------|----------|----------------------------------|-----|---------|----------|-------------------------------------|-----|
| 7 | 100721 | PLUG, pipe | 1 | 74 | 15C766 | TUBE, diffusion | 1 |
| 9 | 117285 | O-RING | 1 | 75 | | CORD, power | |
| 13 | C19817 | SCREW, cap, socket hd | 3 | | 15D528 | CEE/7 | 1 |
| 15 | 107505 | O-RING | 2 | | 15D529 | MULTI-CORD | 1 |
| 20 | 111457 | O-RING | 1 | 80 | 235014 | VALVE, drain; includes 22, 49 | 1 |
| 21 | 15C972 | PIN, grooved | 1 | 81 | 224807 | BASE, valve | 1 |
| 22 | 111699 | GASKET, seat, valve | 1 | 82 | 236352 | POTENTIOMETR, adj, pressure | 1 |
| 23 | 110963 | SCREW, cap, flg hd | 2 | 86 | 243222 | TRANSDUCER, press ctrl; includes 20 | 1 |
| 26 | 114391 | SCREW, grounding | 1 | 92 | | FILTER, fluid | |
| 27 | 113045 | SCREW, sems, mach, phil truss | 5 | | 244071 | 30 mesh | 1 |
| 29 | 15D087 | GROMMET | 1 | | 244067 | 60 mesh, original equipment | 1 |
| 33 | 15D527 | SWITCH, rocker | 1 | | 244068 | 100 mesh | 1 |
| 34 | 116167 | KNOB, potentiometer | 1 | | 244069 | 200 mesh | 1 |
| 35 | 105510 | WASHER, lock, spring (hi-collar) | 3 | 95 | 287248 | CONTROL, bd, 240V; includes 27, 102 | 1 |
| 38 | 116252 | SCREW, #8 taptite phil | 4 | 96 | 287286 | COVER, control | |
| 39 | 112381 | SCREW, mach, pan hd | 4 | | | includes 38, 63, 64, 65 | 1 |
| 40 | 15D033 | GROMMET, transducer | 1 | 97 | 287293 | VALVE, AutoClean; includes 97a | 1 |
| 42 | | ADAPTER | | 97a | 15F950 | GASKET | 1 |
| | 164672 | 695 | 1 | 98 | 244346 | KIT, repair, clamp, trigger | 1 |
| | 164672 | 795/1095 | 2 | 101 | 15D160 | STUD, board | 5 |
| 47 | 186620 | LABEL, symbol, ground | 1 | 102 | 114420 | SCREW, mach, pnh, sems | 3 |
| 49 | 187615 | SEAT, valve | 1 | 113 | 15F844 | SPACER, filter, base | 1 |
| 50 | 15C780 | HANDLE, valve, drain | 1 | 114 | 104813 | PLUG, pipe | 1 |
| 57 | 240131 | STEM, plug, packless | 1 | 115 | 15C973 | GASKET | 1 |
| 60▲ | 195793 | LABEL, WARNING | 1 | 118 | | FITTING, elbow, hydraulic | 1 |
| 61 | 15D431 | BOX, control | 1 | | 116793 | 695, 795 | 1 |
| 63 | 198648 | LABEL, LCD | 1 | | 118896 | 1095 | 1 |
| 64 | 15D063 | LABEL, instruction | 1 | 125 | 15D541 | GASKET | 1 |
| 65 | 196670 | LABEL, cover, control box | 1 | 146 | 248220 | FILTER BOARD | 1 |
| 66 | 287285 | CAP, filter; includes 9, 74 | 1 | 150 | 242001 | CORD, power, CEE/7 | 1 |
| 67 | 15C838 | BASE, filter | 1 | 151 | 287121 | CORD, power, Multi-cord | 1 |
| 68 | 15C947 | PANEL, control | 1 | 152 | 195551 | RETAINER, plug | 1 |
| 69 | 15C840 | PLATE, power bar | 1 | 154 | 115478 | SCREW, Torx, pan hd | 1 |
| 70 | 15D036 | GASKET, control box | 1 | 163 | 119228 | SCREW, mach, flat hd | 4 |
| 73 | 248314 | PLUG, AutoClean, includes 125 | 1 | | | | |

Wiring Diagram



Parts List - Ultra Max II Lo-Boy Sprayers

Ultra Max II 490: 249913, A, B, C

Ultra Max II 495: 249916, A, B, C

Ultra Max II 595: 249918, A, B

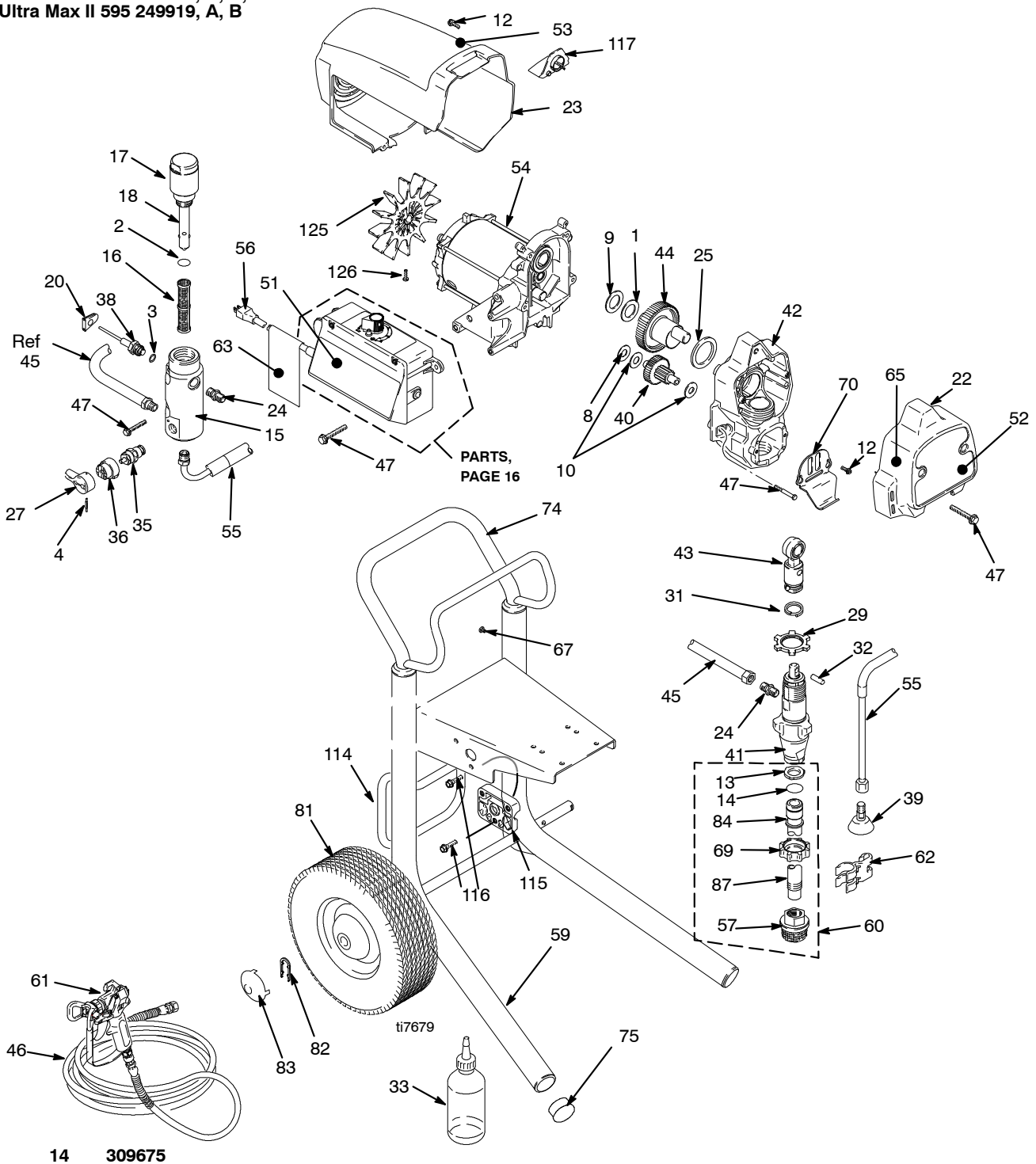
| Ref. | Part | Description | Qty. | Ref. | Part | Description | Qty. |
|------|---------|--------------------------------------|------|--------|----------------------------------|-------------------------------------|------|
| 1 | 107434 | BEARING, thrust | 1 | 52 | | LABEL, front, Graco | |
| 2 | 117828 | PACKING, o-ring | 1 | 15K372 | 490 | | 1 |
| 3 | 111457 | PACKING, o-ring | 1 | 15K371 | 495 | | 1 |
| 4 | 111600 | PIN, grooved | 1 | 15K370 | 595 | | 1 |
| 8 | 116073 | WASHER, thrust | 1 | 53 | | LABEL, side, Graco | |
| 9 | 116074 | WASHER, thrust | 1 | 15K372 | 490 | | 1 |
| 10 | 116079 | BEARING, thrust | 2 | 15K377 | 495 | | 1 |
| 12 | 117501 | SCREW, mach, hex washer hd | 8 | 15K378 | 595 | | 1 |
| 13 | 115099 | WASHER, hose | 1 | 54 | | MOTOR KIT, 110V (includes 125, 126) | |
| 14 | 117559 | O-RING | 2 | 24R703 | 490/495 Series A and B | | 1 |
| 15 | 15G455 | MANIFOLD, fluid | 1 | | (includes control box-not shown) | | |
| 16 | 246384† | FILTER, fluid, 60 mesh | 1 | 24S022 | 490/495 Series C | | 1 |
| 17 | 287902 | KIT, repair, filter cap, includes 18 | 1 | 287807 | 595 | | 1 |
| 18 | | INSERT, filter | 1 | 55 | 246381 | HOSE, drain, stand | 1 |
| 20 | 15B120 | GROMMET, transducer | 1 | | includes 39, 62 | | |
| 22 | 287901 | COVER, front, Graco, paint | 1 | 56 | 253367 | CORD, power, 490/495 (Lo/Hi Boy) | 1 |
| | | includes 12, 65 | | | 253371 | CORD, power, 595 | 1 |
| 23 | 287900 | SHIELD, motor, painted | 1 | 57 | 246385 | STRAINER, 7/8-14 unf | 1 |
| | | includes 12 | | 59 | 246250 | FRAME, cart, LO | 1 |
| 24 | 162453 | NIPPLE, (1/4 npsm x 1/4 npt) | 2 | 60 | 246386 | KIT, hose suction | 1 |
| 25 | 180131 | BEARING, thrust | 1 | | includes 13, 14, 57, 62 | | |
| 27 | 187625 | HANDLE, valve, drain | 1 | 61 | 288420 | GUN, includes, manual 311861 | 1 |
| 29 | 195150 | NUT, jam, pump | 1 | 62 | 276888 | CLIP, drain line | 1 |
| 31 | 196750 | SPRING | 1 | 63▲ | 15H085 | LABEL, danger | 1 |
| 32 | 196762 | PIN, straight | 1 | 65▲ | 195793 | LABEL, warning | 1 |
| 33 | 206994 | FLUID, TSL | 1 | 67 | 109032 | SCREW, pan hd | 4 |
| 34▲ | 222385 | TAG, warning (not shown) | 1 | 68 | 15B870 | CUP, suction/drain | 1 |
| 35 | 239914 | VALVE, drain | 1 | 70 | 15B589 | COVER, pump rod | 1 |
| 36 | 224807 | BASE, valve | 1 | 71 | 122667 | SCREW, drill | 2 |
| 38 | 243222 | TRANSDUCER, pressure control | 1 | 74 | 287488 | HANDLE, assembly | 1 |
| | | includes 3 | | 74a | 195501 | SLEEVE, cart | 2 |
| 39 | 241920 | DEFLECTOR, threaded | 1 | 74b | 178565 | BUTTON, snap | 2 |
| 40 | 244242 | GEAR, reducer | 1 | 74c | 195673 | WASHER | 2 |
| | | includes 8, 10 | | 74d | 103117 | RING, retaining | 2 |
| 41 | 246428 | PUMP, displacement | 1 | 75 | 107310 | PLUG, tubing | 2 |
| 42 | 287899 | HOUSING, drive | 1 | 81 | 195766 | WHEEL, semi pneumatic | 2 |
| | | includes 12, 47, 76 | | 82 | 15B999 | CLIP, retaining | 2 |
| 43 | 287053 | ROD, connecting | 1 | 83 | 104811 | CAP, hub | 2 |
| | | includes 31, 32 | | 117 | 15G447 | PLUG, hole | 1 |
| 44 | | GEAR, crankshaft | | 125 | 15D088 | FAN, motor | 1 |
| | | includes 1, 9, 25 | | 126 | 115477 | SCREW | 1 |
| | 287054 | 490/495 | 1 | | | | |
| | 248231 | 595 | 1 | | | | |
| 45 | 287003 | HOSE, cpld | 1 | | | | |
| 46 | 240794 | HOSE, cpld, 1/4 in. x 50 ft | 1 | | | | |
| 47 | 117493 | SCREW, mach, hex washer hd | 12 | | | | |
| 51 | 15K383 | LABEL, Ultra Max II Smart Control | 1 | | | | |

▲ Extra Danger and Warning tags and labels available free.

† Other filters available: 246382, 100 mesh; 246383, 200 mesh; 246425, 30 mesh

Parts Drawing - Ultra Max II Hi-Boy Sprayers

Ultra Max II 490 249914, A, B, C
 Ultra Max II 495 249917, A, B, C
 Ultra Max II 595 249919, A, B



14 309675

Parts List - Ultra Max II Hi-Boy Sprayers

Ultra Max II 490: 249914, A, B, C

Ultra Max II 495: 249917, A, B, C

Ultra Max II 595: 249919, A, B

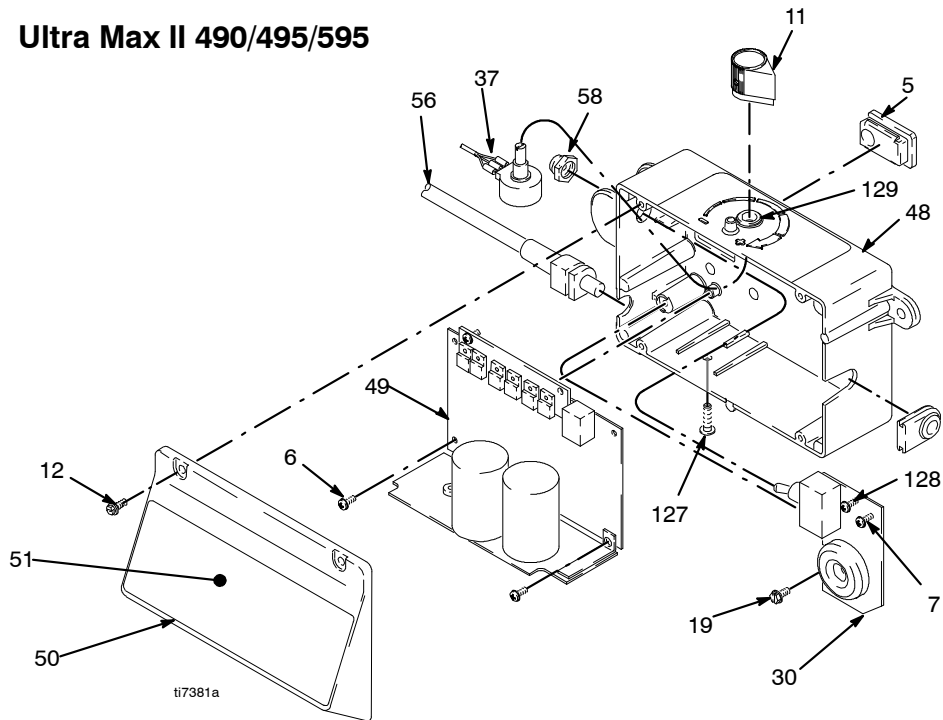
| Ref. | Part | Description | Qty. | Ref. | Part | Description | Qty. |
|------|---------|--------------------------------------|------|------|--------|-------------------------------------|------|
| 1 | 107434 | BEARING, thrust | 1 | 52 | | LABEL, front, Graco | |
| 2 | 117828 | PACKING, o-ring | 1 | | 15K372 | 490 | 1 |
| 3 | 111457 | PACKING, o-ring | 1 | | 15K371 | 495 | 1 |
| 4 | 111600 | PIN, grooved | 1 | | 15K370 | 595 | 1 |
| 8 | 116073 | WASHER, thrust | 1 | 53 | | LABEL, side, Graco | 1 |
| 9 | 116074 | WASHER, thrust | 1 | | 15K376 | 490 | 1 |
| 10 | 116079 | BEARING, thrust | 2 | | 15K377 | 495 | 1 |
| 12 | 117501 | SCREW, mach, hex washer hd | 8 | | 15K378 | 595 | 1 |
| 13 | 115099 | WASHER, hose | 1 | 54 | | MOTOR KIT, 110V (includes 125, 126) | |
| 14 | 103413 | O-RING | 1 | | 24R703 | 490/495 Series A and B | 1 |
| 15 | 15G455 | MANIFOLD, fluid | 1 | | | (includes control box-not shown) | |
| 16 | 246384† | FILTER, fluid, 60 mesh | 1 | | 24S022 | 490/495 Series C | 1 |
| 17 | 287902 | KIT, repair, filter cap, includes 18 | 1 | | 287807 | 595 | 1 |
| 18 | | INSERT, filter | 1 | 55 | 244240 | HOSE, drain | 1 |
| 20 | 15B120 | GROMMET, transducer | 1 | | | includes 39 | |
| 22 | 287901 | COVER, front, Graco, paint | 1 | 56 | 253367 | CORD, power, 490/495 (Lo/Hi Boy) | 1 |
| | | includes 12, 65 | | | 253371 | CORD, power, 595 | 1 |
| 23 | 287900 | SHIELD, motor, painted | 1 | 57 | 246385 | STRAINER, 7/8-14 unf | 1 |
| | | includes 12 | | 59 | 287779 | FRAME, cart, HI | 1 |
| 24 | 162453 | NIPPLE, (1/4 npsm x 1/4 npt) | 2 | 60 | 246387 | KIT, stinger tube | 1 |
| 25 | 180131 | BEARING, thrust | 1 | | | includes 13, 14, 57, 69, 84, 87 | |
| 27 | 187625 | HANDLE, valve, drain | 1 | 61 | 288420 | GUN, includes manual 311861 | 1 |
| 29 | 195150 | NUT, jam, pump | 1 | 62 | 276888 | CLIP, drain line | 1 |
| 31 | 196750 | SPRING, retaining | 1 | 63▲ | 15H085 | LABEL, danger | 1 |
| 32 | 196762 | PIN, straight | 1 | 65▲ | 195793 | LABEL, warning | 1 |
| 33 | 206994 | FLUID, TSL | 1 | 67 | 109032 | SCREW, pan hd | 4 |
| 34▲ | 222385 | TAG, warning (not shown) | 1 | 69 | 15E813 | NUT, jam | 1 |
| 35 | 239914 | VALVE, drain | 1 | 70 | 15C146 | HOOK, pail | 1 |
| 36 | 224807 | BASE, valve | 1 | 74 | 287489 | HANDLE | 1 |
| 38 | 243222 | TRANSDUCER, pressure control | 1 | 75 | 108691 | PLUG, tubing | 2 |
| | | includes 3 | | 81 | 106062 | WHEEL | 2 |
| 39 | 241920 | DEFLECTOR, threaded | 1 | 82 | 15B999 | CLIP, retaining | 2 |
| 40 | 244242 | GEAR, reducer | 1 | 83 | 104811 | CAP, hub | 2 |
| | | includes 8, 10 | | 84 | 15B652 | WASHER, suction | 1 |
| 41 | 246428 | PUMP, displacement | 1 | 87 | 15B506 | TUBE, suction | 1 |
| 42 | 287899 | HOUSING, drive | 1 | 114 | 15D281 | HANGER, stand | 1 |
| | | includes 12, 47 | | 115 | 15C982 | CAM, cart | 2 |
| 43 | 287053 | ROD, connecting | 1 | 116 | 114531 | SCREW, mch, hex | 4 |
| | | includes 31, 32 | | 117 | 15G447 | PLUG, tubing | 2 |
| 44 | | GEAR, crankshaft | 1 | 125 | 15D088 | FAN, motor | 1 |
| | | includes 1, 9, 25 | | 126 | 115477 | SCREW | 1 |
| | 287054 | 490/495 | 1 | | | | |
| | 248231 | 595 | 1 | | | | |
| 45 | 287003 | HOSE, cpld | 1 | | | | |
| 46 | 240794 | HOSE, cpld, 1/4 in. x 50 ft | 1 | | | | |
| 47 | 117493 | SCREW, mach, hex washer hd | 12 | | | | |
| 51 | 15K383 | LABEL, Ultra Max II Smart Control | 1 | | | | |

▲ Extra Danger and Warning tags and labels available free.

† Other filters available: 246382, 100 mesh; 246383, 200 mesh; 246425, 30 mesh

Parts Drawing - Control Box and Board Ultra Max II

Ultra Max II 490/495/595



Parts List - Control Box and Board Ultra Max II

| Ref. | Part | Description | Qty. | Ref. | Part | Description | Qty. |
|------|--------|---------------------------------|------|--------|--------|--|------|
| 5 | 15G562 | BUSHING, control box | 1 | 48 | | BOX, control (includes 11, 30, 37, 49, 58) | |
| 6 | 115494 | SCREW, mach, phillips, pan hd | 5 | 287905 | | Ultra Max II 490/495, models 249911, 239913, 249914, 249915, 249916 and 249917 | 1 |
| 7 | 15H176 | SCREW | 1 | 287906 | | Ultra Max II 595, model 249918 and 249919 | 1 |
| 11 | 116167 | KNOB, potentiometer | 1 | 49 | 287909 | KIT, control board, 110V | 1 |
| 12 | 117501 | SCREW, mach, hex washer hd | 4 | 50 | 277229 | COVER, control | 1 |
| 19 | 115498 | SCREW, mch, slot, hex, wash hd | 1 | 51 | 15K383 | LABEL, Ultra Max II Smart Control | 1 |
| 30 | 287911 | BOARD, filter, 110V GFI | 1 | 56 | 253366 | CORD, power, 490/495, stand | |
| 37 | 256219 | POTENTIOMETER, adjust, pressure | 1 | | 253367 | CORD, power, Lo/Hi-boy 490/495 | 1 |
| | | | | | 253371 | CORD, power, 595 | 1 |
| | | | | 58 | 195428 | BOOT, toggle | 1 |
| | | | | 127 | 120165 | SCREW, mach, phillips, pan hd | 1 |
| | | | | 128 | 120406 | SCREW, hex washer, hd | 1 |
| | | | | 129 | 158674 | O-RING | 1 |

Wiring Diagram - Ultra Max II

