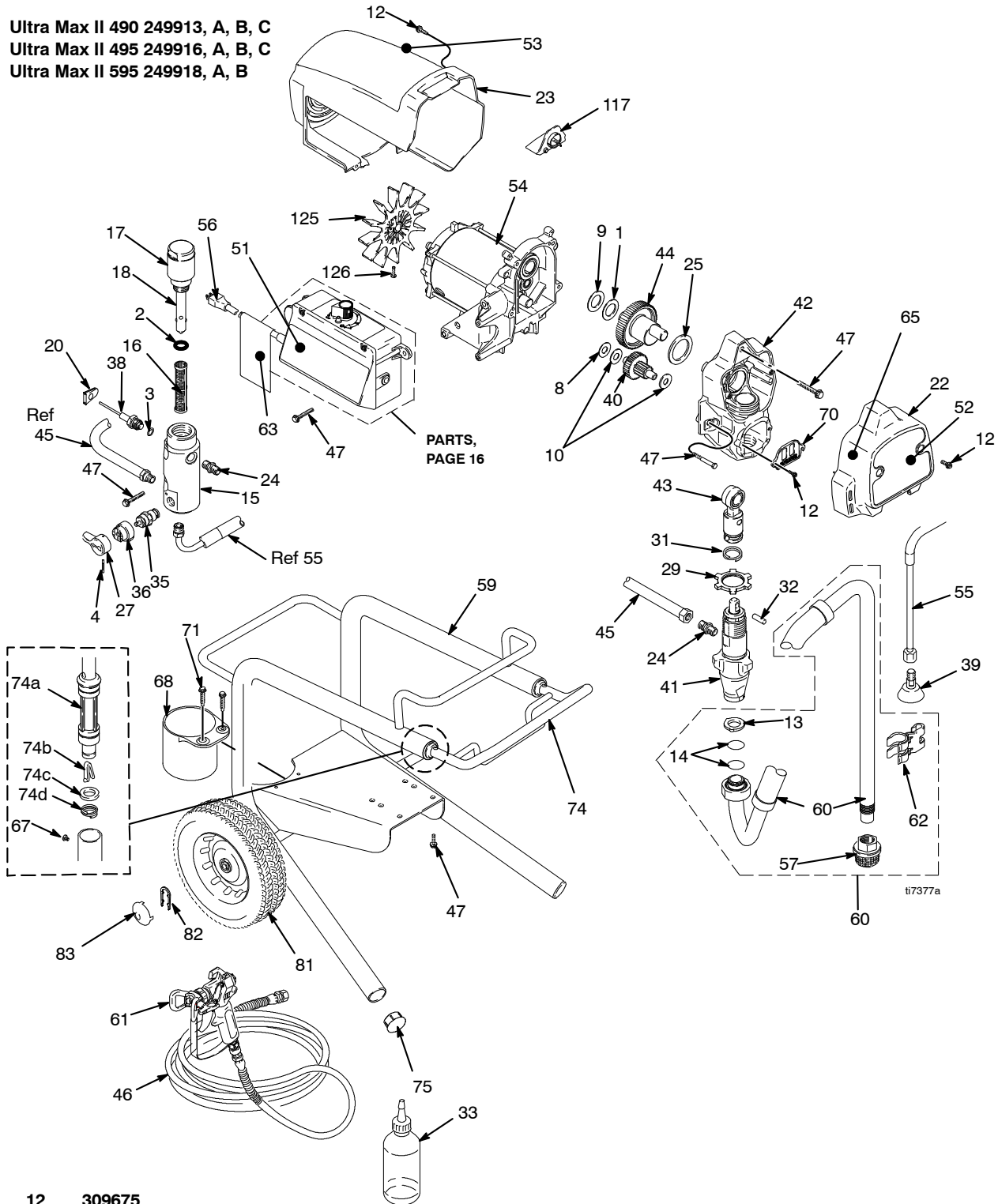


Graco UltraMax II 595

Parts Drawing - Ultra Max II Lo-Boy Sprayers

Ultra Max II 490 249913, A, B, C
Ultra Max II 495 249916, A, B, C
Ultra Max II 595 249918, A, B



Parts List - Ultra Max II Lo-Boy Sprayers

Ultra Max II 490: 249913, A, B, C

Ultra Max II 495: 249916, A, B, C

Ultra Max II 595: 249918, A, B

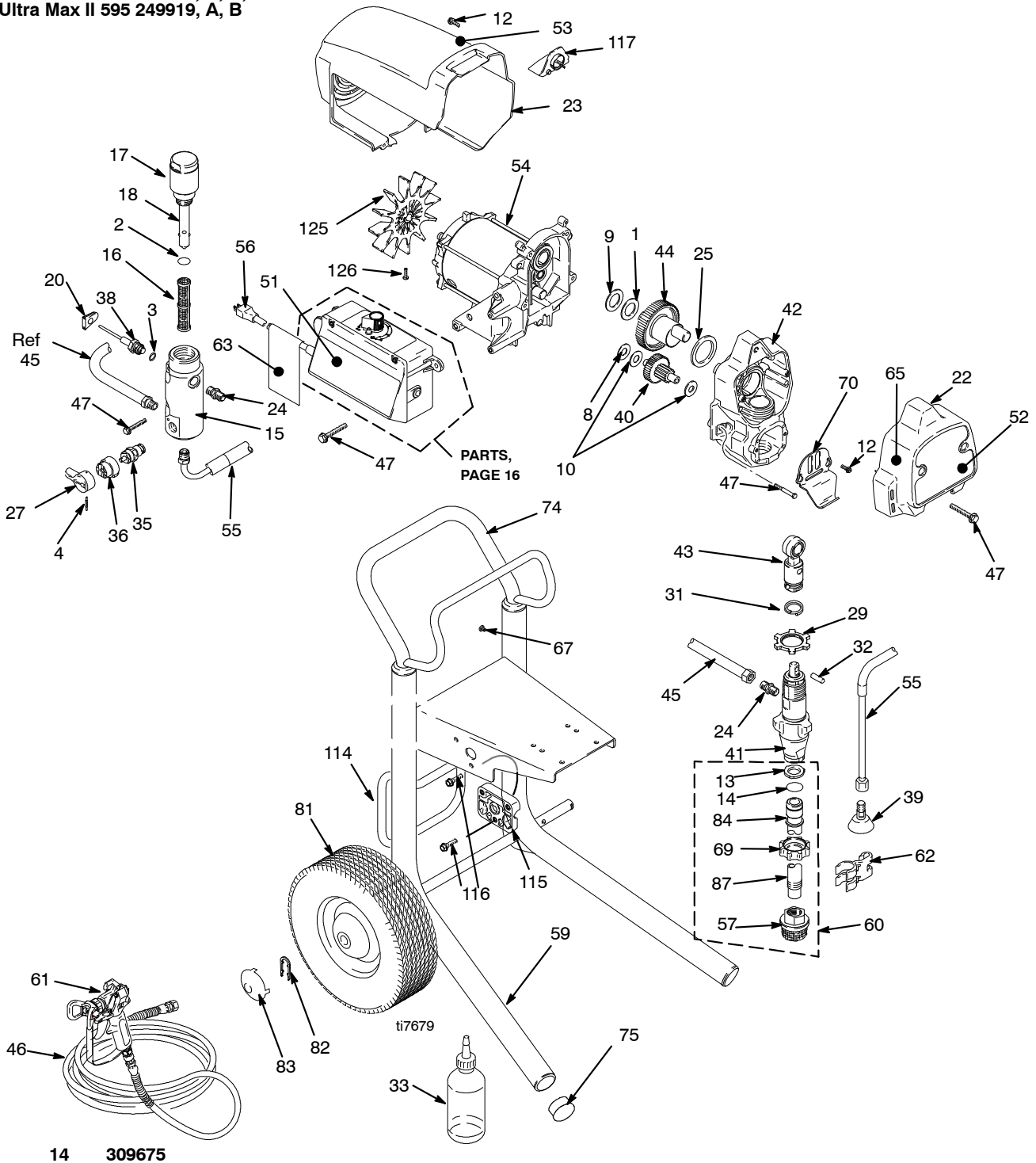
Ref.	Part	Description	Qty.	Ref.	Part	Description	Qty.
1	107434	BEARING, thrust	1	52		LABEL, front, Graco	
2	117828	PACKING, o-ring	1		15K372	490	1
3	111457	PACKING, o-ring	1		15K371	495	1
4	111600	PIN, grooved	1		15K370	595	1
8	116073	WASHER, thrust	1	53		LABEL, side, Graco	
9	116074	WASHER, thrust	1		15K372	490	1
10	116079	BEARING, thrust	2		15K377	495	1
12	117501	SCREW, mach, hex washer hd	8		15K378	595	1
13	115099	WASHER, hose	1	54		MOTOR KIT, 110V (includes 125, 126)	
14	117559	O-RING	2		24R703	490/495 Series A and B	1
15	15G455	MANIFOLD, fluid	1			(includes control box-not shown)	
16	246384†	FILTER, fluid, 60 mesh	1		24S022	490/495 Series C	1
17	287902	KIT, repair, filter cap, includes 18	1		287807	595	1
18		INSERT, filter	1	55	246381	HOSE, drain, stand	1
20	15B120	GROMMET, transducer	1			includes 39, 62	
22	287901	COVER, front, Graco, paint	1	56	253367	CORD, power, 490/495 (Lo/Hi Boy)	1
		includes 12, 65			253371	CORD, power, 595	1
23	287900	SHIELD, motor, painted	1	57	246385	STRAINER, 7/8-14 unf	1
		includes 12		59	246250	FRAME, cart, LO	1
24	162453	NIPPLE, (1/4 npsm x 1/4 npt)	2	60	246386	KIT, hose suction	1
25	180131	BEARING, thrust	1			includes 13, 14, 57, 62	
27	187625	HANDLE, valve, drain	1	61	288420	GUN, includes, manual 311861	1
29	195150	NUT, jam, pump	1	62	276888	CLIP, drain line	1
31	196750	SPRING	1	63▲	15H085	LABEL, danger	1
32	196762	PIN, straight	1	65▲	195793	LABEL, warning	1
33	206994	FLUID, TSL	1	67	109032	SCREW, pan hd	4
34▲	222385	TAG, warning (not shown)	1	68	15B870	CUP, suction/drain	1
35	239914	VALVE, drain	1	70	15B589	COVER, pump rod	1
36	224807	BASE, valve	1	71	122667	SCREW, drill	2
38	243222	TRANSDUCER, pressure control	1	74	287488	HANDLE, assembly	1
		includes 3		74a	195501	SLEEVE, cart	2
39	241920	DEFLECTOR, threaded	1	74b	178565	BUTTON, snap	2
40	244242	GEAR, reducer	1	74c	195673	WASHER	2
		includes 8, 10		74d	103117	RING, retaining	2
41	246428	PUMP, displacement	1	75	107310	PLUG, tubing	2
42	287899	HOUSING, drive	1	81	195766	WHEEL, semi pneumatic	2
		includes 12, 47, 76		82	15B999	CLIP, retaining	2
43	287053	ROD, connecting	1	83	104811	CAP, hub	2
		includes 31, 32		117	15G447	PLUG, hole	1
44		GEAR, crankshaft		125	15D088	FAN, motor	1
		includes 1, 9, 25		126	115477	SCREW	1
	287054	490/495	1				
	248231	595	1				
45	287003	HOSE, cpld	1				
46	240794	HOSE, cpld, 1/4 in. x 50 ft	1				
47	117493	SCREW, mach, hex washer hd	12				
51	15K383	LABEL, Ultra Max II Smart Control	1				

▲ Extra Danger and Warning tags and labels available free.

† Other filters available: 246382, 100 mesh; 246383, 200 mesh; 246425, 30 mesh

Parts Drawing - Ultra Max II Hi-Boy Sprayers

Ultra Max II 490 249914, A, B, C
 Ultra Max II 495 249917, A, B, C
 Ultra Max II 595 249919, A, B



Parts List - Ultra Max II Hi-Boy Sprayers

Ultra Max II 490: 249914, A, B, C

Ultra Max II 495: 249917, A, B, C

Ultra Max II 595: 249919, A, B

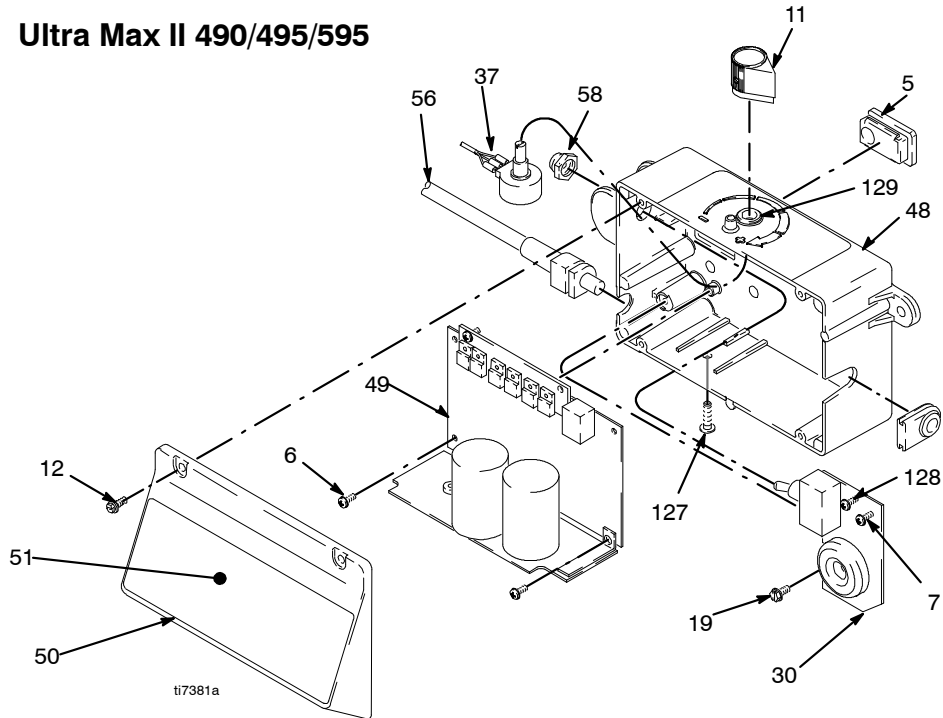
Ref.	Part	Description	Qty.	Ref.	Part	Description	Qty.
1	107434	BEARING, thrust	1	52		LABEL, front, Graco	
2	117828	PACKING, o-ring	1		15K372	490	1
3	111457	PACKING, o-ring	1		15K371	495	1
4	111600	PIN, grooved	1		15K370	595	1
8	116073	WASHER, thrust	1	53		LABEL, side, Graco	1
9	116074	WASHER, thrust	1		15K376	490	1
10	116079	BEARING, thrust	2		15K377	495	1
12	117501	SCREW, mach, hex washer hd	8		15K378	595	1
13	115099	WASHER, hose	1	54		MOTOR KIT, 110V (includes 125, 126)	
14	103413	O-RING	1		24R703	490/495 Series A and B	1
15	15G455	MANIFOLD, fluid	1			(includes control box-not shown)	
16	246384†	FILTER, fluid, 60 mesh	1		24S022	490/495 Series C	1
17	287902	KIT, repair, filter cap, includes 18	1		287807	595	1
18		INSERT, filter	1	55	244240	HOSE, drain	1
20	15B120	GROMMET, transducer	1			includes 39	
22	287901	COVER, front, Graco, paint	1	56	253367	CORD, power, 490/495 (Lo/Hi Boy)	1
		includes 12, 65			253371	CORD, power, 595	1
23	287900	SHIELD, motor, painted	1	57	246385	STRAINER, 7/8-14 unf	1
		includes 12		59	287779	FRAME, cart, HI	1
24	162453	NIPPLE, (1/4 npsm x 1/4 npt)	2	60	246387	KIT, stinger tube	1
25	180131	BEARING, thrust	1			includes 13, 14, 57, 69, 84, 87	
27	187625	HANDLE, valve, drain	1	61	288420	GUN, includes manual 311861	1
29	195150	NUT, jam, pump	1	62	276888	CLIP, drain line	1
31	196750	SPRING, retaining	1	63▲	15H085	LABEL, danger	1
32	196762	PIN, straight	1	65▲	195793	LABEL, warning	1
33	206994	FLUID, TSL	1	67	109032	SCREW, pan hd	4
34▲	222385	TAG, warning (not shown)	1	69	15E813	NUT, jam	1
35	239914	VALVE, drain	1	70	15C146	HOOK, pail	1
36	224807	BASE, valve	1	74	287489	HANDLE	1
38	243222	TRANSDUCER, pressure control	1	75	108691	PLUG, tubing	2
		includes 3		81	106062	WHEEL	2
39	241920	DEFLECTOR, threaded	1	82	15B999	CLIP, retaining	2
40	244242	GEAR, reducer	1	83	104811	CAP, hub	2
		includes 8, 10		84	15B652	WASHER, suction	1
41	246428	PUMP, displacement	1	87	15B506	TUBE, suction	1
42	287899	HOUSING, drive	1	114	15D281	HANGER, stand	1
		includes 12, 47		115	15C982	CAM, cart	2
43	287053	ROD, connecting	1	116	114531	SCREW, mch, hex	4
		includes 31, 32		117	15G447	PLUG, tubing	2
44		GEAR, crankshaft	1	125	15D088	FAN, motor	1
		includes 1, 9, 25		126	115477	SCREW	1
	287054	490/495	1				
	248231	595	1				
45	287003	HOSE, cpld	1				
46	240794	HOSE, cpld, 1/4 in. x 50 ft	1				
47	117493	SCREW, mach, hex washer hd	12				
51	15K383	LABEL, Ultra Max II Smart Control	1				

▲ Extra Danger and Warning tags and labels available free.

† Other filters available: 246382, 100 mesh; 246383, 200 mesh; 246425, 30 mesh

Parts Drawing - Control Box and Board Ultra Max II

Ultra Max II 490/495/595



Parts List - Control Box and Board Ultra Max II

Ref.	Part	Description	Qty.	Ref.	Part	Description	Qty.
5	15G562	BUSHING, control box	1	48		BOX, control (includes 11, 30, 37, 49, 58)	
6	115494	SCREW, mach, phillips, pan hd	5	287905		Ultra Max II 490/495, models 249911, 239913, 249914, 249915, 249916 and 249917	1
7	15H176	SCREW	1	287906		Ultra Max II 595, model 249918 and 249919	1
11	116167	KNOB, potentiometer	1	49	287909	KIT, control board, 110V	1
12	117501	SCREW, mach, hex washer hd	4	50	277229	COVER, control	1
19	115498	SCREW, mch, slot, hex, wash hd	1	51	15K383	LABEL, Ultra Max II Smart Control	1
30	287911	BOARD, filter, 110V GFI	1	56	253366	CORD, power, 490/495, stand	1
37	256219	POTENTIOMETER, adjust, pressure	1		253367	CORD, power, Lo/Hi-boy 490/495	1
					253371	CORD, power, 595	1
				58	195428	BOOT, toggle	1
				127	120165	SCREW, mach, phillips, pan hd	1
				128	120406	SCREW, hex washer, hd	1
				129	158674	O-RING	1

Wiring Diagram - Ultra Max II

