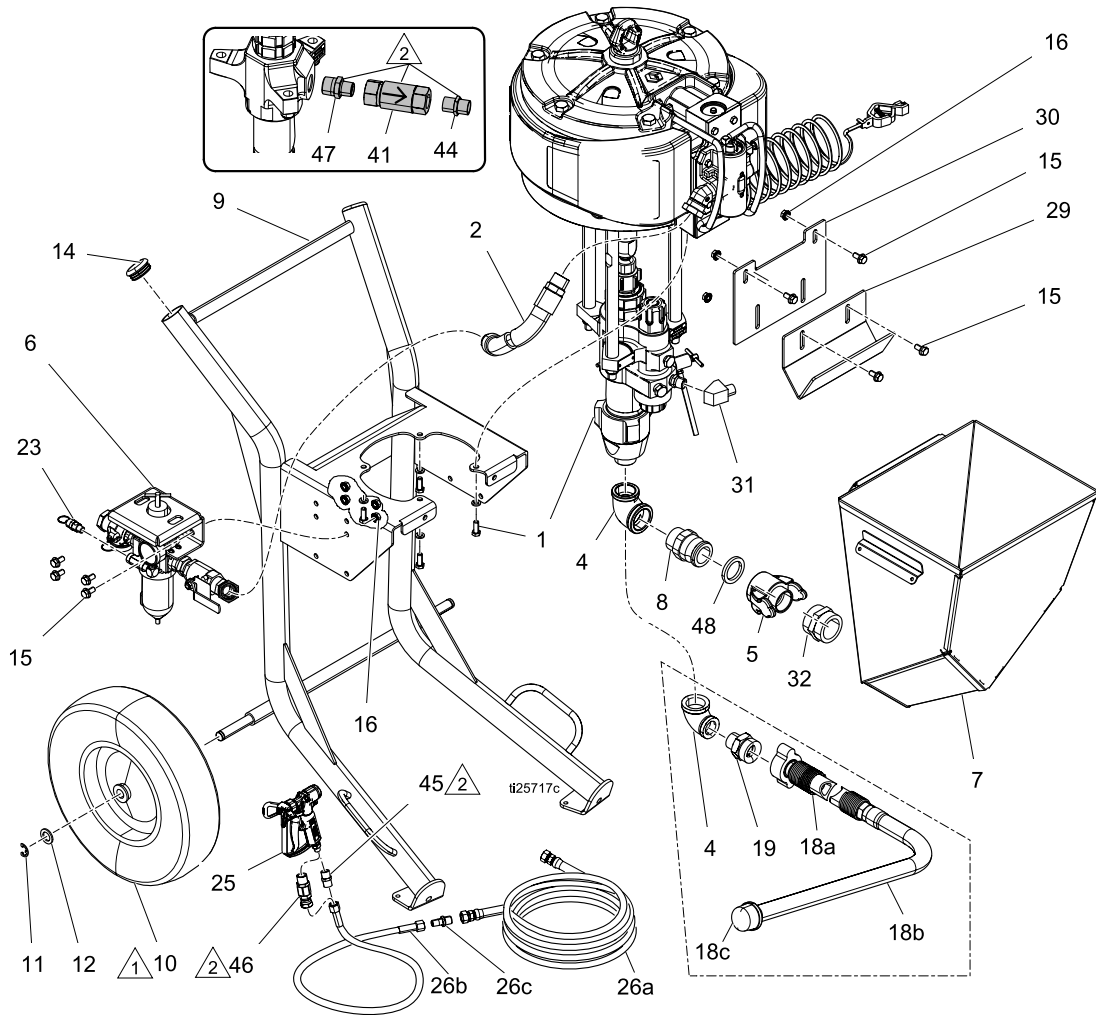


Graco Xtreme XL

Parts

Parts

Xtreme Sprayer Cart Packages



- ▲ Apply grease to cart axles before assembling wheels.
- ▲ For heavy fluid packages 24X593 and 24X594 only.
- 3. Apply anaerobic pipe sealant to all non-swiveling pipe threads.

Parts

Xtreme Packages Without A Hopper

Ref	Part	Description	Sprayer Description and Quantity								
			No Hose and Gun						With Hose and Gun		
			No Hopper			No Hopper, No filter			No Hopper		
			XL70H1	XL80H1	XL95H1	XL70H4	XL80H4	XL95H4	XL70H2	XL80H2	XL95H2
1	PL95C2 ■	PUMP, xtreme, xl, 220; Pump Package Parts, page 32			1						1
	PL95C1	PUMP, xtreme, xl, 220; Pump Package Parts, page 32						1			
	PL80C2 ■	PUMP, xtreme, xl, 250; Pump Package Parts, page 32		1						1	
	PL80C1	PUMP, xtreme, xl, 250; Pump Package Parts, page 32					1				
	PL70C2 ■	PUMP, xtreme, xl, 290; Pump Package Parts, page 32	1						1		
	PL70C1	PUMP, xtreme, xl, 290; Pump Package Parts, page 32				1					
2	278770	HOSE, coupled	1	1	1	1	1	1	1	1	1
4	116401	ADAPTER, elbow	1	1	1	1	1	1	1	1	1
6	24W593	MODULE, air controls; see manual 3A0293	1	1	1	1	1	1	1	1	1
9*	24Y078	CART, heavy duty	1	1	1	1	1	1	1	1	1
10*	113362	WHEEL, semi-pneumatic	2	2	2	2	2	2	2	2	2
11*	113436	RING, retaining	2	2	2	2	2	2	2	2	2
12*	154628	WASHER	2	2	2	2	2	2	2	2	2
14*	113361	CAP, tube, round	2	2	2	2	2	2	2	2	2

Parts

Ref	Part	Description	Sprayer Description and Quantity								
			No Hose and Gun						With Hose and Gun		
			No Hopper			No Hopper, No filter			No Hopper		
			XL70H1	XL80H1	XL95H1	XL70H4	XL80H4	XL95H4	XL70H2	XL80H2	XL95H2
15	112395	SCREW, cap, fng hd	4	4	4	4	4	4	4	4	4
16	112958	NUT, hex, flanged	4	4	4	4	4	4	4	4	4
18a	247301	HOSE; 1 in. x 6 ft	1	1	1	1	1	1	1	1	1
18b	197682	TUBE, siphon	1	1	1	1	1	1	1	1	1
18c	181072	STRAINER	1	1	1	1	1	1	1	1	1
19	116402	ADAPTER, gconnect	1	1	1	1	1	1	1	1	1
23	113498	VALVE, safety, 110 psi	1			1			1		
	120306	VALVE, safety, 85 psi			1			1			1
	16M190	VALVE, safety, 95psi		1			1			1	
25	XTR704	GUN, xtr7, 1" hnd, 4 fng, xhdrc							1	1	1
26a	H73850	HOSE; 3/8 x 50 ft							1	1	1
26b	H72506	HOSE; 1/4 x 6 ft									
26c	164856	NIPPLE, 3/8 x 1/4									

* Included in Cart Kit (9).

■ Includes Built-In Filter.

Parts

Xtreme Packages With A Hopper

Ref	Part	Description	Sprayer Description and Quantity				
			With Hose and Gun				
			Hopper				
			24X593	24X594	XL70H3	XL80H3	XL95H3
1	PL95C2	PUMP, xtreme, xl, 220; ■ Pump Package Parts, page 32					1
	PL80C2	PUMP, xtreme, xl, 250; ■ Pump Package Parts, page 32				1	
	PL70C2	PUMP, xtreme, xl, 290; ■ Pump Package Parts, page 32			1		
	PL70C1	PUMP, xtreme, xl, heavy duty; Pump Package Parts, page 32	1				
	PL80C1	PUMP, xtreme, xl, heavy duty; Pump Package Parts, page 32		1			
2	278770	HOSE, coupled	1	1	1	1	1
4♦	126939	FITTING, elbow, 90°, female, reducing	1	1	1	1	1
5♦	128095	FITTING, cam and groove; 1.5 npt(m)	1	1	1	1	1
6	24W593	MODULE, air controls; see manual 3A0293	1	1	1	1	1
7♦	17E114	HOPPER	1	1	1	1	1
8♦	17C692	FITTING, cam/groove, 1.5m, 1-1/2 npt	1	1	1	1	1
9*	24Y078	KIT, cart, heavy duty	1	1	1	1	1
10*	113362	WHEEL, semi-pneumatic	2	2	2	2	2
11*	113436	RING, retaining	2	2	2	2	2
12*	154628	WASHER	2	2	2	2	2
14*	113361	CAP, tube, round	2	2	2	2	2
15♦	112395	SCREW, cap, flng hd	8	8	8	8	8
16♦	112958	NUT, hex, flanged	8	8	8	8	8
23	113498	VALVE, safety, 110 psi	1		1		
	120306	VALVE, safety, 85 psi		1			1
	16M190	VALVE, safety, 95psi				1	
25●	XTR704	GUN, xtr 7, 1" hnd, 4 fng, xhdrac			1	1	1
	262854	GUN, XHF	1	1			
26a	H77550	HOSE, coupled, 7250 psi, 3/4 in ID; 50 ft	1	1			
	H73850	HOSE, coupled, 7250 psi, 3/8 in ID; 50 ft			1	1	1
26b	H75025	HOSE, coupled, 7250 psi, 1/2 in ID; 50 ft	1	1			
	H72506	HOSE, coupled, 7250 psi, 1/4 in ID; 6 ft			1	1	1
26c	16R883	FITTING, nipple, reducing, 3/4 x 1/2	1	1			
	164856	FITTING, nipple, 3/8 x 1/4			1	1	1
29♦	---	BRACKET, hopper	1	1	1	1	1
30♦	---	BRACKET, hopper, upper	1	1	1	1	1
31	15M987	FITTING, elbow, 60 deg	1	1	1	1	1

Parts

Ref	Part	Description	Sprayer Description and Quantity				
			With Hose and Gun				
			Hopper				
			24X593	24X594	XL70H3	XL80H3	XL95H3
32◆	- - -	FITTING, bushing, 1-1/2	1	1	1	1	1
41	16T480	VALVE, check	1	1			
44	160032	FITTING, nipple; 3/4-14 npt	1	1			
45●	158491	FITTING, nipple; 1/2-14 npt	1	1			
46●	24P834	SWIVEL, straight, PTFE	1	1			
47	171439	NIPPLE, pipe, reducing	1	1			
48	17C453	GASKET, 2 in. (packet 6)	1	1	1	1	1

■ Includes Built-In Filter.

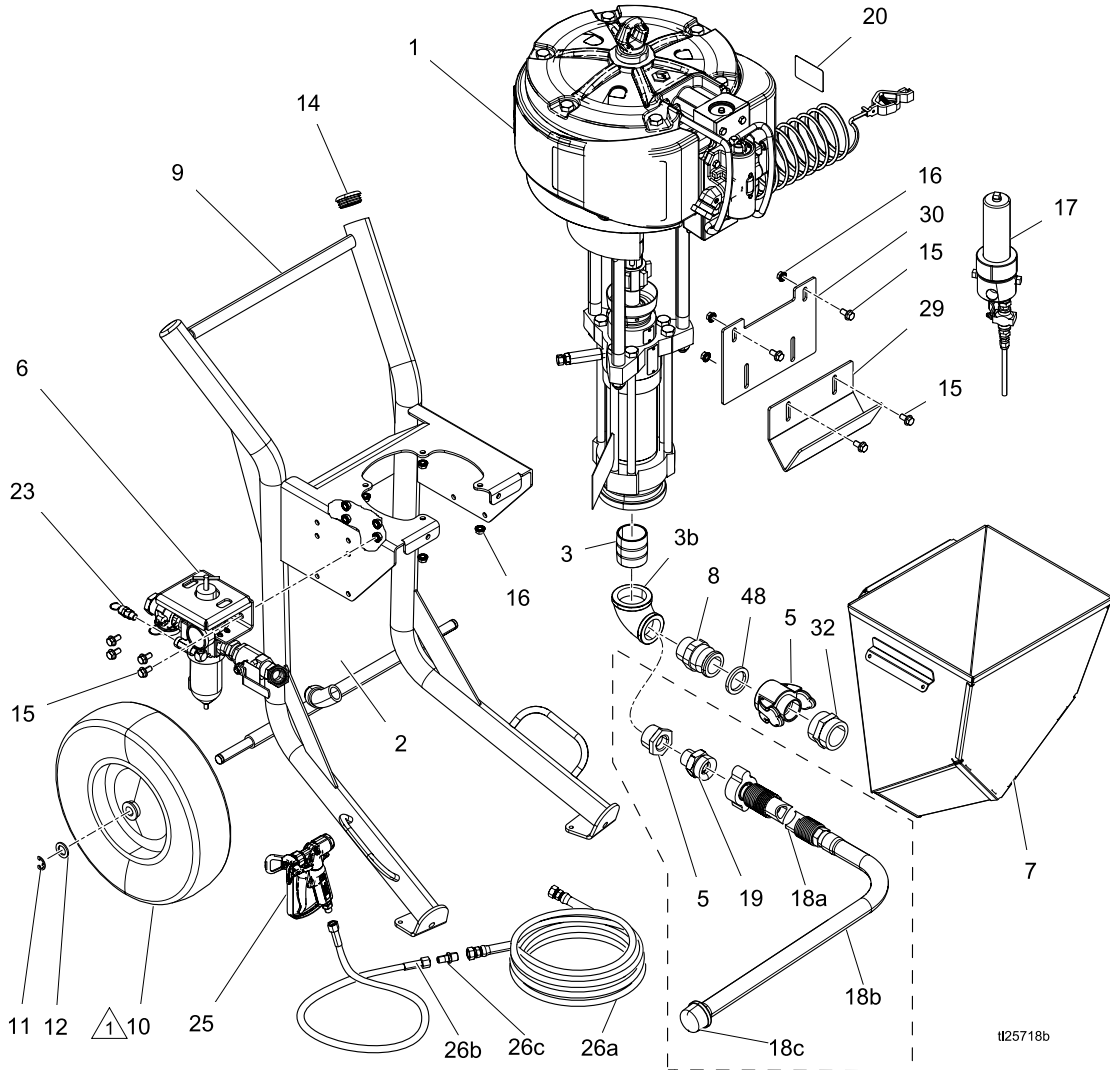
◆ Included in Hopper Kit 24X570.

* Included in Cart Kit 24Y078.

● Included in the Hose and Gun Kit 24X553.

Parts

Dura-Flo Cart Packages



- ⚠ Apply grease to cart axles before assembling wheels.
- 2. Apply anaerobic pipe sealant to all non-swiveling pipe threads.

Parts

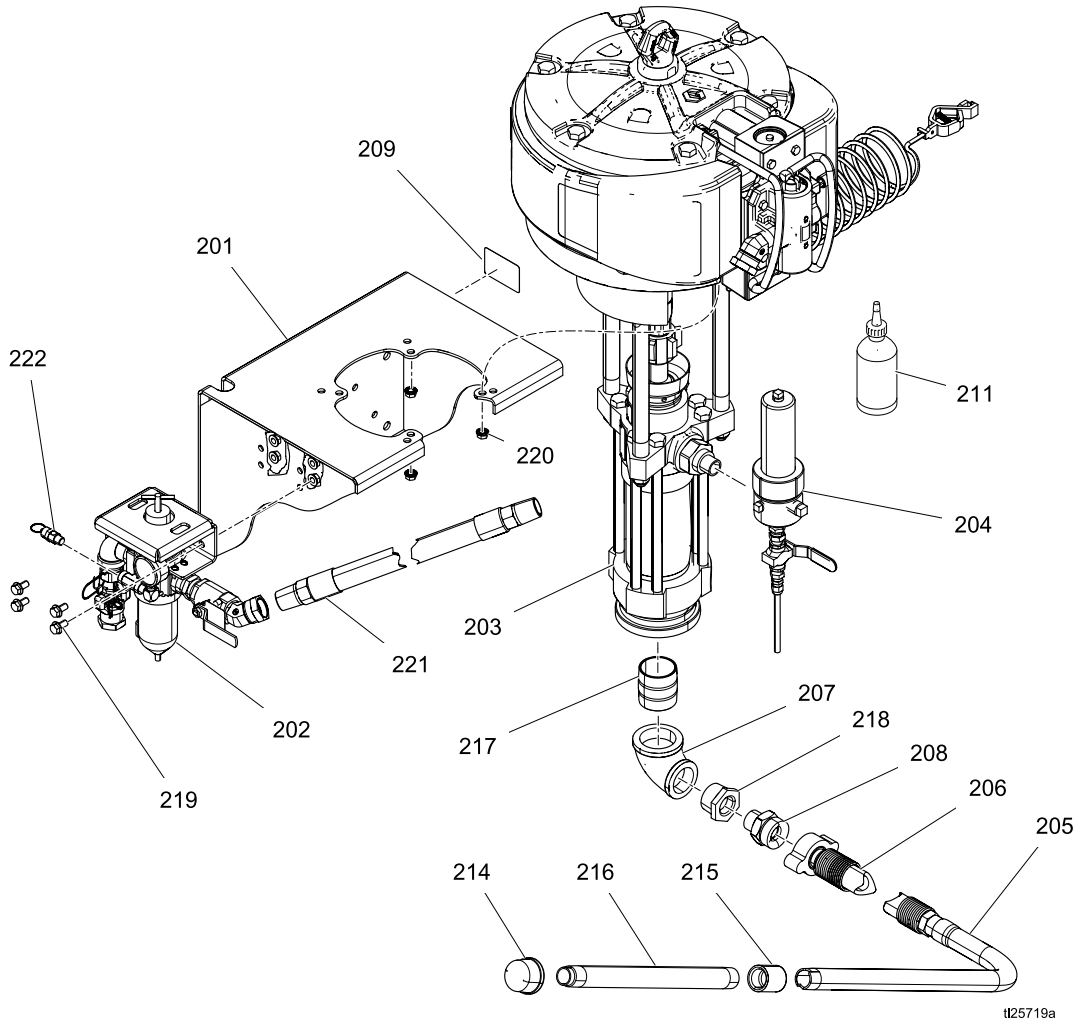
Dura-Flo Cart Package Parts

Ref	Part	Description	Quantity			
			No Hose and Gun		With Hose and Gun	
			No Hopper	No Hopper, No Filter	No Hopper	With Hopper
			XL45H1	XL45H4	XL45H2	XL45H3
1	PL45C1	PUMP, duraflo, xl, 430, nf; Pump Package Parts, page 32	1	1	1	1
2	128093	HOSE, coupled	1	1	1	1
3a	24X547	KIT, fitting, nipple, 2 in. npt x 2.5 in.	1	1	1	1
3b	---	PIPE, elbow female; 2 x 1.5	1	1	1	1
5	15T271	BUSHING, 1.5 x 1 npt reducer sst	1	1	1	
	128095	FITTING, cam and groove				1
6	24W040	MODULE, air controls; see manual 3A0293	1	1	1	1
7	16U536	HOPPER, weldment				1
8	17C692	FITTING, cam/groove, 1.5m, 1-1/2npt				1
9*	24Y078	CART, heavy duty	1	1	1	1
10*	113362	WHEEL, semi-pneumatic	2	2	2	2
11*	113436	RING, retaining	2	2	2	2
12*	154628	WASHER	2	2	2	2
14*	113361	CAP, tube, round	2	2	2	2
15	112395	SCREW, cap, flng hd	4	4	4	8
16	112958	NUT, hex, flanged	4	4	4	8
17	238620	FILTER, paint	1		1	1
18	24T757	HOSE, w/siphon, xtreme	1	1	1	
19	116402	ADAPTER, qconnect	1	1	1	
20	---	LABEL, identification	1	1	1	1
23	114055	VALVE, safety, 105 psi	1	1	1	1
25	XTR504	GUN, xtr5, 1" hnd, 4 fng, xhdrc			1	1
26	24T755	HOSE SET, xtreme, 5600 psi			1	1
29	17C474	BRACKET, hopper				1
30	17D554	BRACKET, hopper, upper				1
32	128094	FITTING, bushing, 1-1/2				1
48	17C453	GASKET, 2 in. (pack of 6)				1

* Included in Cart Kit 24Y078.

Parts

Wall Mount Packages



1. Apply stainless steel pipe sealant to all non-swiveling pipe threads.

Parts

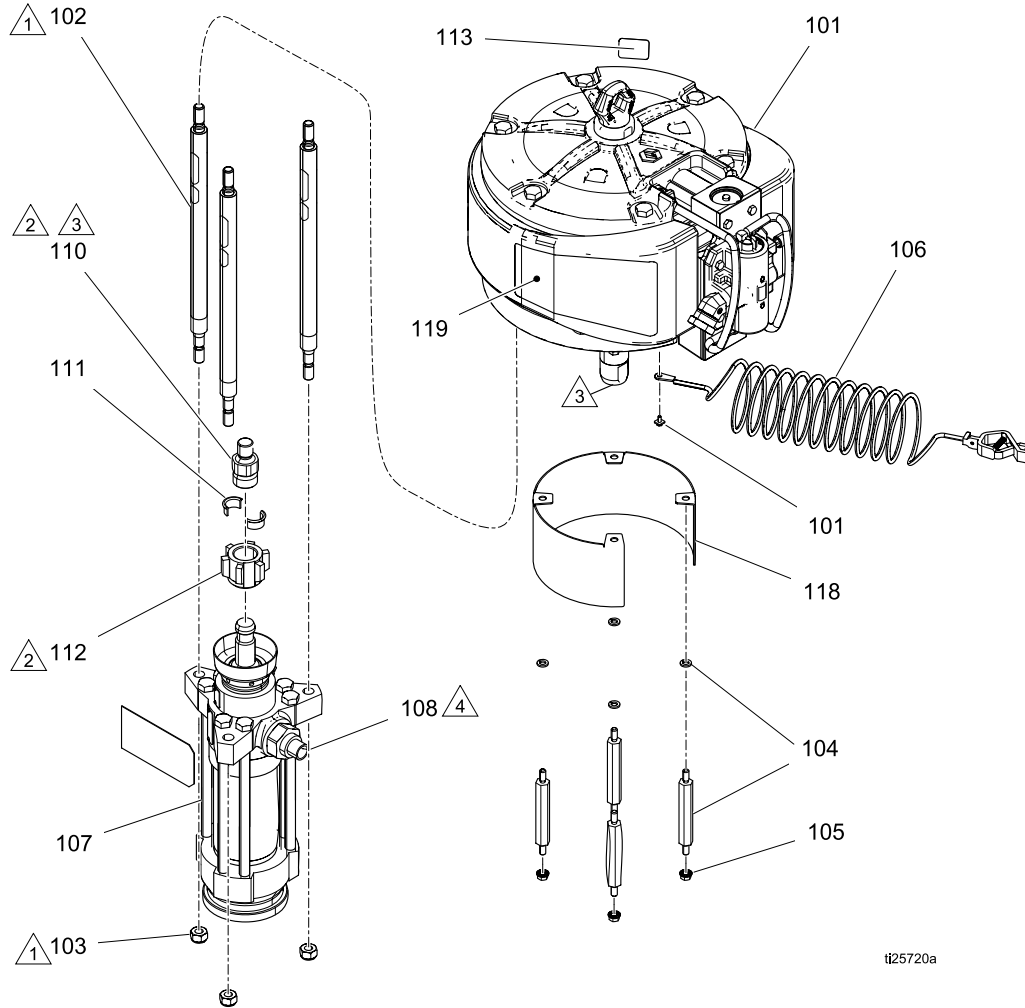
Wall Mount Package Parts

Ref	Part	Description	Quantity			
			XL45W1	XL70W1	XL80W1	XL95W1
201	24X181	BRACKET, wall, xl	1	1	1	1
202	24W593	MODULE, air controls, wall; see manual 3A0293	1	1	1	1
203	PL45C1	PUMP, duraflo, xl, 430; Pump Package Parts, page 32	1			
	PL95C2■	PUMP, xtreme, xl, 220; Pump Package Parts, page 32				1
	PL80C2■	PUMP, xtreme, xl, 250; Pump Package Parts, page 32			1	
	PL70C2■	PUMP, xtreme, xl, 290; Pump Package Parts, page 32		1		
204	238620	FILTER, paint	1			
205	197682	TUBE, suction	1	1	1	1
206	247302	HOSE, suction, 1 in npt x qconnect	1	1	1	1
207	116401	ADAPTER, elbow		1	1	1
	120291	PIPE, elbow female	1			
208	116402	ADAPTER, qconnect	1	1	1	1
210	- - -	LABEL, identification	1	1	1	1
211	206994	FLUID, tsl 8 oz bottle	1	1	1	1
214	187147	STRAINER, inlet	1	1	1	1
215	114967	COUPLING, pipe, 1"	1	1	1	1
216	195151	TUBE, intake	1	1	1	1
217a	24X547	KIT, nipple, 2 in npt	1			
217b	- - -	ELBOW, 1.5 x 2 np	1			
218	121239	BUSHING, 1.5 x 1 npt reducer sst	1			
219	112395	SCREW, cap, flng hd	4	4	4	4
220	112958	NUT, hex, flanged	4	4	4	4
221	128093	HOSE, coupled	1			
	278770	HOSE, coupled		1	1	1
222	113498	VALVE, safety, 110 psi		1		
	120306	VALVE, safety, 85 psi				1
	16M190	VALVE, safety, 95 psi			1	
	114055	VALVE, safety, 105 psi	1			

■ Includes Built-In Filter.

Parts

Pump Package Parts



ti25720a

- △1 Torque to 95–105 ft-lb (129–142 N•m).
- △2 Torque to 230–250 ft-lb (312–340 N•m).

- △3 Apply anaerobic pipe sealant.
- △4 Apply stainless steel pipe sealant to all non-swiveling pipe threads.

Parts

Pump Package Parts

Ref	Part	Description	Quantity						
			PL45C1	PL70C1	PL70C2	PL80C1	PL80C2	PL95C1	PL95C2
101	24X856	MOTOR, air, 13 in.; includes 101a; see manual 334644	1	1	1	1	1	1	1
101a▲	15F674	LABEL, safety, motor (not shown)	1	1	1	1	1	1	1
102	184382	ROD, tie	3						
	17A048	ROD, tie, m16 x 2.0		3	3	3	3	3	3
103	15U606	NUT, lock, m16 x 2	3	3	3	3	3	3	3
104	100133	WASHER, lock, 3/8		4	4	4	4	4	4
	120465	SPACER, mounting, threaded	4						
105	112958	NUT, hex, flanged	4						
	100101	SCREW, cap, hex hd		4	4	4	4	4	4
106	244524	WIRE, ground assy with clamp	1	1	1	1	1	1	1
106a▲	290079	TAG, warning, grounding (not shown)	1	1	1	1	1	1	1
107	24W644	LOWER, duraflo, 3/4, (18cm-cstf); see manual 311825	1						
	L22HC1	LOWER, xtreme, xl, 220; see manual 311762						1	
	L22HC2■	LOWER, xtreme, xl, 220; see manual 311762							1
	L25HC1	LOWER, xtreme, xl, 250; see manual 311762				1			
	L25HC2■	LOWER, xtreme, xl, 250; see manual 311762					1		
	L29HC1	LOWER, xtreme, xl, 290; see manual 311762		1					
	L29HC2■	LOWER, xtreme, xl, 290; see manual 311762			1				
108	171439	NIPPLE, pipe, rdcg		1		1		1	
110	184583	ADAPTER, rod		1	1	1	1	1	1
	184582	ADAPTER, rod	1						
111	184129	COLLAR, coupling		2	2	2	2	2	2
	184130	COLLAR, coupling	2						
112	184098	NUT, coupling		1	1	1	1	1	1
	184096	NUT, coupling	1						
118	15K296	SPACER	1						
120▲	172479	TAG, warning, lower (not shown)	1	1	1	1	1	1	1

■ Includes Built-In Filter.

HD Not for sale. Purchase individual parts as necessary.

▲ Replacement Warning labels, signs, tags, and cards are available at no cost.