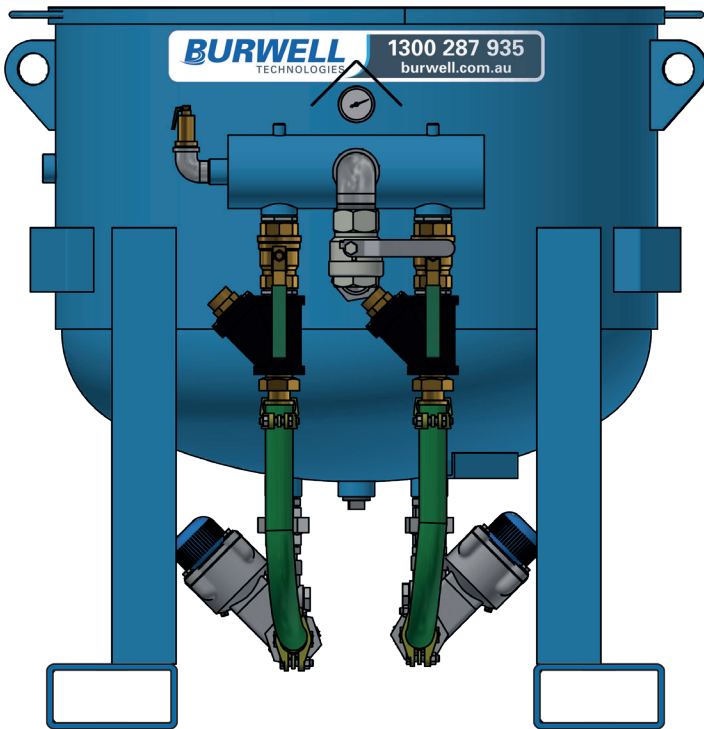


HALF TONNE DOUBLE OUTLET BLAST MACHINE

The "Low Boy".

Ideal for small industrial projects and blast room applications.

Easy loading and suitable for 2 operators.



AUSTRALIAN MADE

Designed and made in Australia to AS1210 using Australian Plate Steel.



CONSTANT PRESSURE

Continuous blasting, less wear and tear and reduced energy consumption.



BUILT TOUGH

Rated to 150 psi to meet all situations.



SAFE

Forklift slots removes the risk of unsafe manual handling.



ZERO DOWNTIME

Two outlets provide backup in production.



ISOLATION SYSTEM

Burwell's unique Grit Isolation System to prevent abrasive/grit spillage whilst servicing.



TRANSPORT READY

Rated lifting lugs to make handling and transport safer and easier.



EASY TO LOAD

Low height of 1120mm makes it easier to load and handle.

Specifications

Useable Garnet Capacity: 500kg
Vessel diameter: 940mm
Weight: 340kg
Length: 1100mm
Width: 1500mm
Height: 1120mm
Volume: 330 litres (11.8 cu ft)

Inclusions

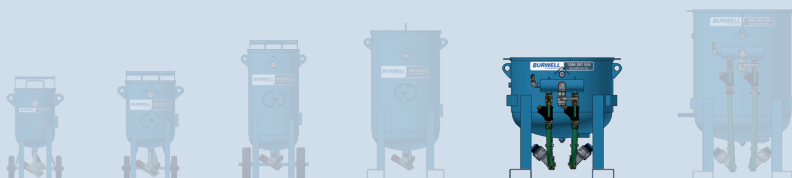
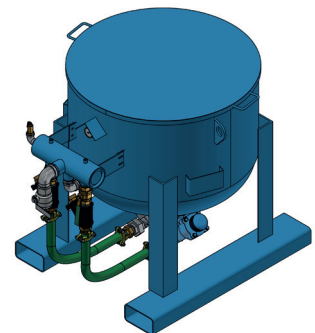
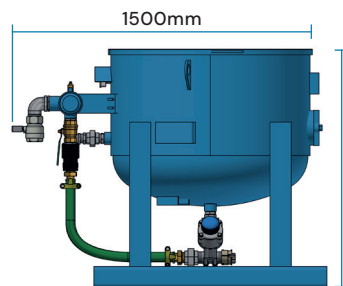
Screen & Lid
Thompson II Valve
Brass Pot Couplings
1-1/2" Auto Air Valve
Certified Pressure Relief Valve
2 x 20m Deadman Control Lines
2 x ECK Electric Deadman Triggers

Option

2 X Pneumatic Deadman Triggers

Part Number | Description

0152-364412-40 Half Tonne Low Boy Blast Machine - Electric - Double Outlet
0151-364412-40 Half Tonne Low Boy Blast Machine - Pneumatic - Double Outlet



BURWELL

1300 287 935 burwell.com.au