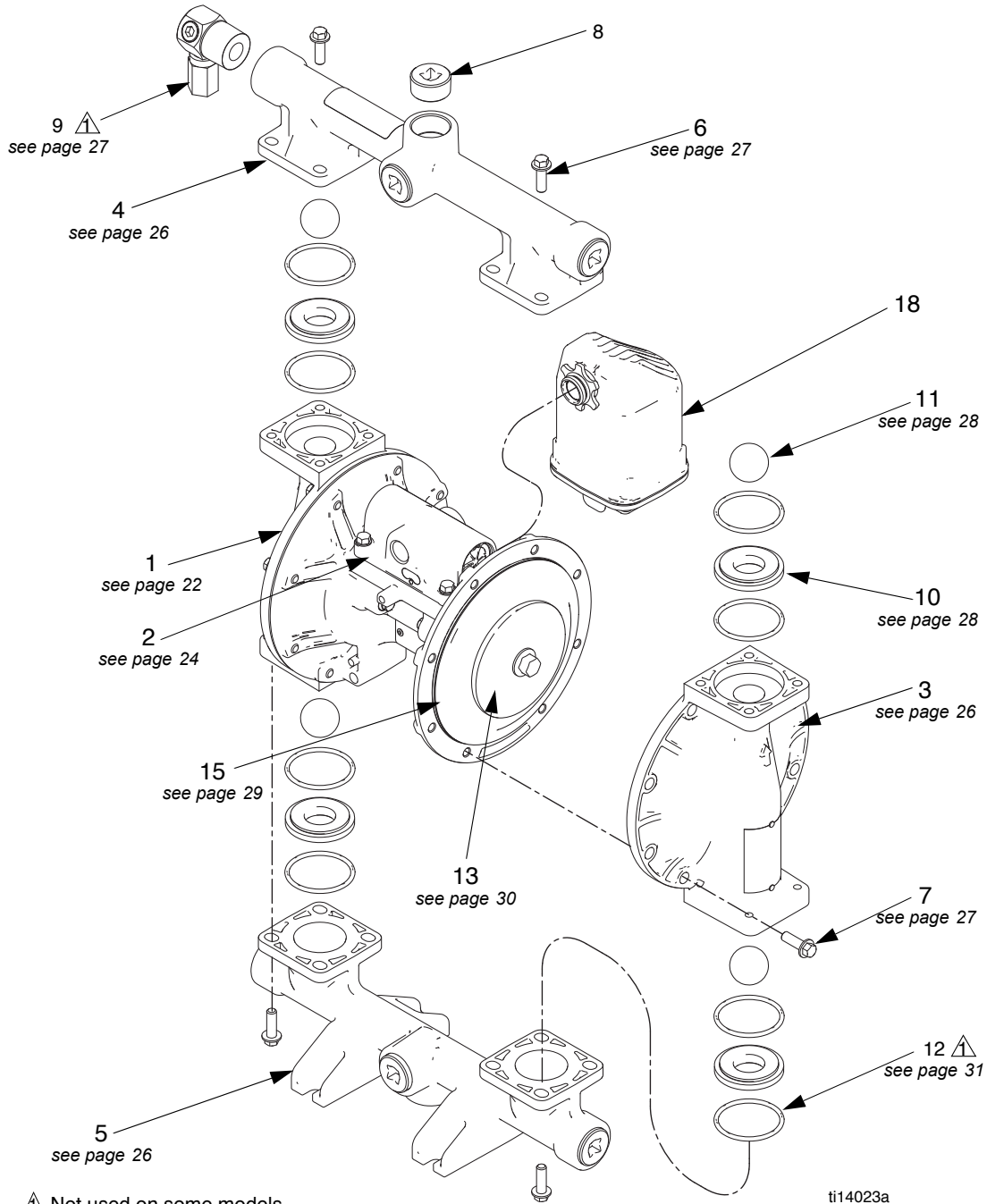


Graco Husky 1050

Parts

Parts



⚠ Not used on some models.

ti14023a

Parts

Parts/Kits Quick Reference

Use this table as a quick reference for parts/kits. See pages indicated in table for full description of kit contents.

Ref.	Part/Kit	Description	Qty.
1	Varies	Center Section; not sold separately, see page 22 Aluminum Conductive Polypropylene Polypropylene	1
2	Varies	Air Valve; see page 24	1
3		Fluid Cover Kits; see page 26	2
	24B653	Aluminum	
	24C051	Conductive Polypropylene	
	24D347	Hastelloy	
	24C050	Polypropylene	
	24C052	PVDF	
	24C061	Hastelloy	
4		Outlet Manifold Kits; see pages 26-27	1
	24B649	Aluminum, npt	
	24B650	Aluminum, bspt	
	24C039	Conductive Poly, center flange	
	24C042	Conductive Poly, end flange	
	24D343	Hastelloy, npt	
	24D344	Hastelloy, bspt	
	24C038	Polypropylene, center flange	
	24C041	Polypropylene, end flange	
	24C040	PVDF, center flange	
	24C043	PVDF, end flange	
	24C057	Stainless Steel, npt	
	24C058	Stainless Steel, bspt	
5		Inlet Manifold Kits; see page 26-27	1
	24B651	Aluminum, npt	
	24B652	Aluminum, bspt	
	24C045	Conductive Poly, center flange	
	24C048	Conductive Poly, end flange	
	24D345	Hastelloy, npt	
	24D346	Hastelloy, bspt	
	24C044	Polypropylene, center flange	
	24C047	Polypropylene, end flange	
	24C046	PVDF, center flange	
	24C049	PVDF, end flange	
	24C059	Stainless Steel, npt	
	24C060	Stainless Steel, bspt	
6		Manifold Fasteners; 8-pack, see page 27	16
	24B654	Aluminum	
	24C056	Conductive Poly, Poly, and PVDF	
	24C064	Stainless Steel and Hastelloy	
7		Fluid Cover Fasteners; 8-pack, see page 27	16
	24B654	Aluminum	
	24C055	Conductive Poly, Poly, and PVDF	
	24C063	Stainless Steel or Hastelloy, aluminum center	
	24C056	Stainless Steel or Hastelloy, plastic center	
8	24C617	Plug; 6-pack, aluminum pumps only	6
9	24B910	Pressure Relief Valve; fuel dispense model only, see page 27	1
10		Seats; 4-pack, includes 8 o-rings where needed, see page 28	4
	24B630	Acetal	
	24B631	Aluminum	
	24B632	Buna-N	
	24B638	FKM Fluoroelastomer	
	24B633	Geolast	
	24B635	Polypropylene	
	24C721	PVDF	
	24B636	Santoprene	
	24B637	Stainless Steel	
	24B634	TPE	
11		Check Balls; 4-pack, includes 8 o-rings, see page 28	4
	24B639	Acetal	
	24B640	Buna-N	
	24B643	Polychloroprene	
	24B644	Polychloroprene with SST core	
	24B648	FKM Fluoroelastomer	
	24B641	Geolast	
	24B645	PTFE	
	24B646	Santoprene	
	24B647	Stainless Steel	
	24B642	TPE	
12	24B655	Manifold O-Ring (not used on some models); ptf, 8-pack, see page 31	8
13		Fluid Side Diaphragm Plate; included in Air and Fluid Plate Kits, see page 30	2
	24C035	Aluminum	
	24C036	Conductive Polypropylene	
	24D342	Hastelloy	
	24C036	Polypropylene	
	24C037	PVDF	
	24C062	Stainless Steel	
14	----	Air Side Diaphragm Plate (not visible); included in Air and Fluid Plate Kits, see Part 13 or page 30	2
15		Diaphragm Kits; see page 29	2
	24B622	Buna-N Standard	
	24B629	FKM Fluoroelastomer Standard	
	24B623	Geolast Standard	
	24B628	Santoprene Standard	
	24B624	TPE Standard	
	24B625	Polychloroprene Overmolded	
	24B626	PTFE Overmolded	
	24B627	PTFE/EPDM Two-Piece	
	24F926	PTFE/Santoprene Two-Piece	
18	24D642	Muffler; 3/4 npt, polypropylene	1
19		Screw, ground, M5 x 0.8; not shown	1
	116343	Pumps with aluminum air valve	
	116344	Pumps with conductive poly air valve	
20▲	188621	Label, warning (not shown)	1

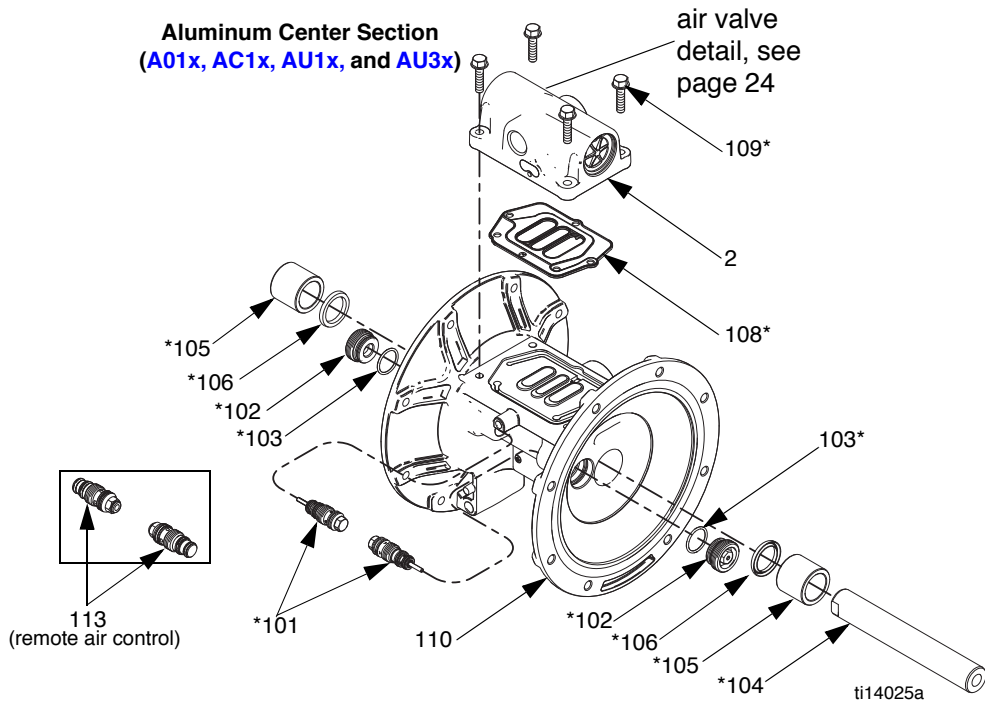
▲Replacement Warning labels, signs, tags, and cards are available at no cost.

Parts

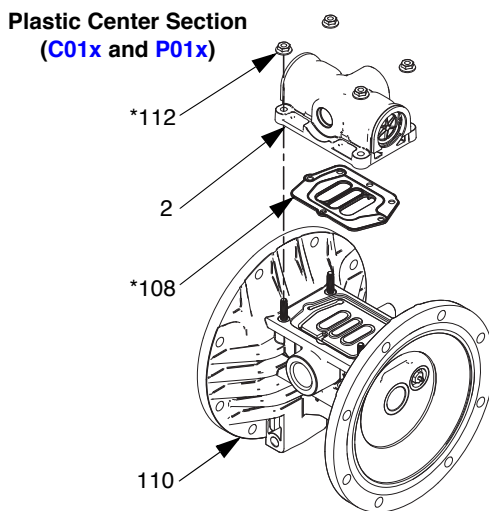
Center Section

Sample Configuration Number: 1050A-PA01AA1SSBNBPT

1050	A	P	A01A	A1	SS	BN	BN	PT
Pump Size	Wetted Section Material	Drive Identifier	Center Section and Air Valve	Fluid Covers and Manifolds	Seats	Balls	Diaphragms	Manifold O-Rings



Ref.	Description	Qty.
101*	VALVE, pilot	2
102*	CARTRIDGES, pilot valve receiver	2
103*	O-RING, receiver cartridge	2
104*	SHAFT, center	1
105*	BEARING, center shaft	2
106*	U-CUP, center shaft	2
108*	GASKET, air valve	1
109*	SCREW, M6 x 25, stainless steel, (for aluminum center section models, Axxx)	4
110	HOUSING, center, not sold separately	1
112*	NUTS (for plastic center section models, C01x and P01x)	4
113	INSERT, remote pilot (for remote air control models, xxxD)	2



* Included in Center Section Rebuild Kit 24B621

Parts

Center Section Rebuild Kits (*)	
A01A-A01D, AU1A, AU3A, AC1A, C01A-C01D, P01A-P01D	24B621
A01E	24D730

Kits include:

- 2 pilot valves (101)
- 2 pilot cartridges (102)
- 2 cartridge o-rings, buna-N (103)
- 1 center shaft (104)
- 2 center shaft bearings (105)
- 2 center shaft u-cups (106)
- 1 air valve gasket (108)
- 4 bolts, M6 x 25, for **A01x** pumps (109)
- 4 nuts, for **P01x** and **C01x** pumps (112)
- 8 o-rings, PTFE (12)

Pilot Valve Assembly Kits	
A01A-A01D, AU1A, AU3A, AC1A, C01A-C01D, P01A-P01D	24B657
A01E	24C825

Kits include:

- 2 pilot valve assemblies (101)
- 2 pilot valve receiver cartridges (102)
- 2 receiver cartridge o-rings (103)

NOTE: **xxxD** models also require insert kit, shown below.

**Kit 24D043, Remote Pilot Inserts
xxxD (Remote Air Control)**

Kit includes:

- 2 remote pilot inserts (113)

Center Shaft Kits	
A01A-A01D, AU1A, AU3A, AC1A, C01A-C01D, P01A-P01D	24B656
A01E	24D731

Kit includes:

- 1 center shaft (104)
- 2 center shaft bearings (105)
- 2 center shaft u-cups (106)

Center Shaft Bearing Kits	
A01A-A01D, AU1A, AU3A, AC1A, C01A-C01D, P01A-P01D	24B658
A01E	24D732

Kit includes:

- 2 center shaft bearings (105)
- 2 center shaft u-cups (106)

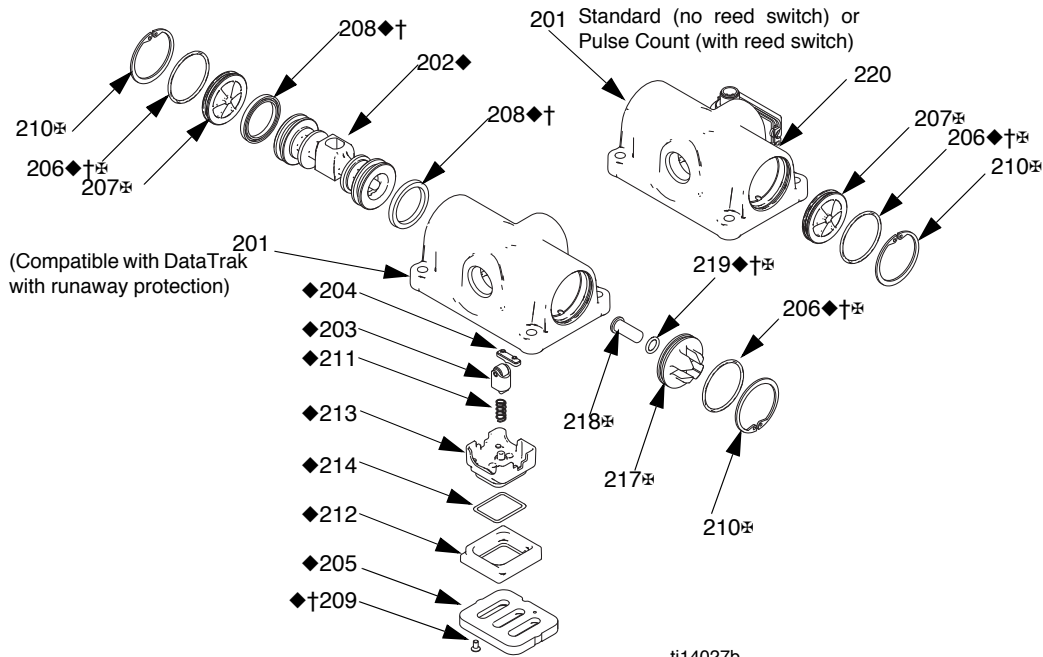
The center housing (110) is not sold separately.

Ground Screws (Ref. 19)

Ground Screw Kits	
A01A-A01E, AU1A, AU3A, and AC1A	116343
C01A-C01D	116344
P01A-P01D	None

Parts

Air Valve and Data Monitoring



Ref.	Description	Qty.
201	HOUSING, not sold separately	1
202◆	PISTON	1
203◆	DETENT PISTON ASSEMBLY	1
204◆	CAM, detent	1
205◆	PLATE, air valve	1
206◆†‡	O-RING	2
207‡	CAP, end Standard (xxxA), Pulse Count (xxxB), or Remote (xxxD) DataTrak (xxxC)	2 1
208◆†	U-CUP	2
209◆†	SCREW	2
210◆‡	RETAINING RING	2
211◆	DETENT SPRING	1
212◆	BASE, cup	1
213◆	CUP	1
214◆	O-RING, cup	1
217‡	CAP, end (for DataTrak models with runaway protection, xxxC)	1
218‡	BUTTON, solenoid release (for DataTrak models with runaway protection, xxxC)	1

Ref.	Description	Qty.
219◆†‡	O-RING (for DataTrak models with runaway protection, xxxC)	1
220	REED SWITCH ASSEMBLY (for Pulse Count models, xxxB, includes fastener)	1

◆ Parts included in Air Valve Repair Kit. See page 25.
† Parts included in Air Valve Seals Kit. See page 24.
‡ Parts included in Air Valve End Cap Kit. See page 25.

Air Valve Seal Kits (†)	
A01A-A01D, AU1A, AU3A, AC1A, C01A-C01D, P01A-P01D	24B769
A01E	24C983

Kit includes:

- 2 end cap o-rings (206)
- 2 piston u-cups (208)
- 2 screws, M3, shorter (209, for metal pumps)
- 2 screws, #4, longer (209, for plastic pumps)
- 1 solenoid release button o-ring (219)
- 1 air valve gasket (108)

Parts

Air Valve Repair Kits (◆)	
A01A-A01C, AU1A, AU3A, AC1A, C01A-C01C, P01A-P01C	24B768
A01D, C01D, P01D	24D044
A01E	24D699

Kits include:

- 1 air valve piston (202)
- 1 detent piston assembly (203)
- 1 detent cam (204)
- 1 air valve plate (205)
- 2 end cap o-rings (206)
- 2 piston u-cups (208)
- 2 screws, M3, shorter (209, for metal pumps)
- 2 screws, #4, longer (209, for plastic pumps)
- 1 detent spring (211)
- 1 air cup base (212)
- 1 air cup (213)
- 1 air cup o-ring (214)
- 1 solenoid release button o-ring (219)
- 1 air valve gasket (108)

Air Valve Replacement Kits	
AxxA	24B766
A01B	24B766
A01C	24B767
A01D	24D040
A01E	24C826
C01A	24B775
C01B	24B775
C01C	24B776
C01D	24D042
P01A	24B773
P01B	24B773
P01C	24B774
P01D	24D041

Kits include:

- 1 air valve assembly (2)
- 1 air valve gasket (108)
- 4 screws (109; models with aluminum centers)
OR
- 4 nuts (112; models with plastic centers)

Air Valve End Cap Kits (⊗)	
AxxA, A01B, or A01D	24A361
A01E	24D734
C01A, C01B, or C01D	24C053
P01A, P01B, or P01D	24C053
A01C	24A363
C01C	24C054
P01C	24C054

Standard or Pulse Count (no runaway protection solenoid) kits include:

- 2 end caps (207)
- 2 retaining rings (210)
- 2 o-rings (206)

DataTrak (runaway protection solenoid) Kits include:

- 1 standard end cap (207)
- 1 end cap with opening (217)
- 2 retaining rings (210)
- 2 o-rings (206)
- solenoid release button (218)
- o-ring for button (219)

Remote Air Control Conversion Kits	
Axxx	24D037
Cxxx	24D039
Pxxx	24D038

Kits include:

- 1 air valve assembly (2) with restrictor
- 1 air valve gasket (108)
- 4 screws (109; models with aluminum centers)
OR
- 4 nuts (112; models with plastic centers)
- 2 remote pilot inserts

Pulse Count Kits	
Axxx	24B798
Cxxx or Pxxx	24B796

Kit includes:

- reed switch module (220)
- mounting screw

Parts

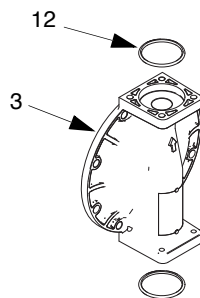
Fluid Covers and Manifolds

Sample Configuration Number: 1050A-PA01AA1SSBNBNPT

1050	A	P	A01A	A1	SS	BN	BN	PT
Pump Size	Wetted Section Material	Drive Identifier	Center Section and Air Valve	Fluid Covers and Manifolds	Seats	Balls	Diaphragms	Manifold O-Rings

Fluid Cover Kits

A1, A2	24B653
C1, C2	24C051
H1, H2	24D347
P1, P2	24C050
F1, F2	24C052
S1, S2	24C061

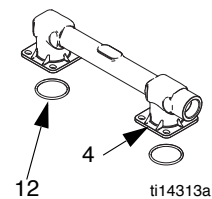


Kits include:

- 1 fluid cover (3)
- 4 o-rings, ptfе (12)

Hastelloy and Stainless Steel Outlet Manifold Kits

H1	24D343
H2	24D344
S1	24C057
S2	24C058

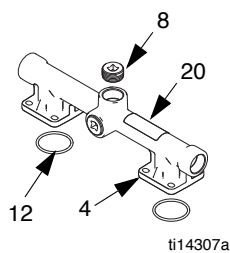


Kits include:

- 1 outlet manifold (4)
- 4 o-rings, ptfе (12)
- 1 warning label (20▲)

Aluminum Outlet Manifold Kits

A1	24B649
A2	24B650

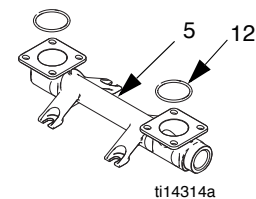


Kits include:

- 1 outlet manifold (4)
- 3 pipe plugs (8)
- 4 o-rings, ptfе (12)
- 1 warning label (20▲)

Hastelloy and Stainless Steel Inlet Manifold Kits

H1	24D345
H2	24D346
S1	24C059
S2	24C060

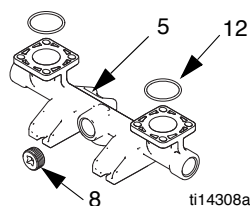


Kits include:

- 1 inlet manifold (5)
- 4 o-rings, ptfе (12)

Aluminum Inlet Manifold Kits

A1	24B651
A2	24B652



Kits include:

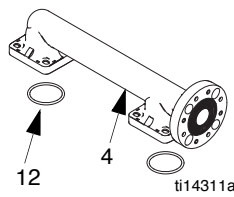
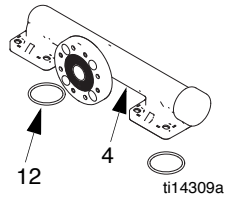
- 1 inlet manifold (5)
- 3 pipe plugs (8)
- 4 o-rings, ptfе (12)

Parts

Plastic Outlet Manifold Kits	
C1	24C039
C2	24C042
P1	24C038
P2	24C041
F1	24C040
F2	24C043

Kits include:

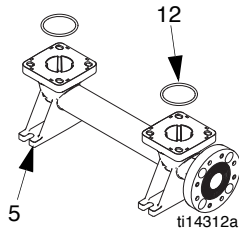
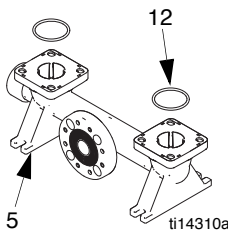
- 1 outlet manifold (4)
- 4 o-rings, ptfe (12)
- 1 warning label (20▲)



Plastic Inlet Manifold Kits	
C1	24C045
C2	24C048
P1	24C044
P2	24C047
F1	24C046
F2	24C049

Kits include:

- 1 inlet manifold (5)
- 4 o-rings, ptfe (12)



▲ Replacement Danger and Warning tags, labels, and cards are available at no cost.

Kit 24B910, Fluid Pressure Relief Valve Fuel Dispense Model only

Kit includes:

- 1 valve, 3/8 nptf (9)

NOTE: See page 31 for manifold o-rings (12).

Manifold Fasteners (Ref. 9)

Manifold Fastener Kits	Fastener Description	Qty
A1, A2	24B654 BOLT, hex head, steel, M8 x 25	8
C1, C2, P1, P2, F1, F2	24C056 BOLT, flange head, M8 x 32, stainless steel, includes nuts	8
S1, S2, H1, H2 with any center (Axxx, Cxxx, or Pxxx)	24C064 BOLT, hex head, M8 x 20, stainless steel, includes nuts	8

Fluid Cover Fasteners (Ref. 7)

Fluid Cover Fastener Kits	Description	Qty
A1, A2	24B654 BOLT, hex head, steel, M8 x 25	8
C1, C2, P1, P2, F1, F2	24C055 BOLT, flange head, M8 x 45, stainless steel, includes nuts	8
S1, S2, H1, H2 aluminum center (Axxx)	24C063 BOLT, flange head, M8 x 25, stainless steel	8
S1, S2, H1, H2 plastic center (Cxxx or Pxxx)	24C056 BOLT, flange head, M8 x 32, stainless steel, includes nuts	8

Parts

Seats and Check Ball

Sample Configuration Number: 1050A-PA01AA1SSBNBNPT

1050	A	P	A01A	A1	SS	BN	BN	PT
Pump Size	Wetted Section Material	Drive Identifier	Center Section and Air Valve	Fluid Covers and Manifolds	Seats	Balls	Diaphragms	Manifold O-Rings

Seat Kits	
AC	24B630
AL	24B631
BN (no o-rings)	24B632
FK (no o-rings)	24B638
GE	24B633
PP	24B635
PV	24C721
SP	24B636
SS	24B637
TP (no o-rings)	24B634

Kits include:

- 4 seats, material indicated in table (10)
- 8 o-rings, PTFE, included unless table says “no o-rings” (12)

NOTE: Some kits may not be available for your model. See the selector tool at www.graco.com or speak with your distributor.

Check Ball Kits	
AC	24B639
BN	24B640
CR	24B643
CW	24B644
FK	24B648
GE	24B641
PT	24B645
SP	24B646
SS	24B647
TP	24B642

Kits Include:

- 4 balls, material indicated in table (11)
- 8 o-rings, PTFE (12)

NOTE: Some kits may not be available for your model. See the selector tool at www.graco.com or speak with your distributor.

Diaphragms

Sample Configuration Number: 1050A-PA01AA1SSBNBNPT

1050	A	P	A01A	A1	SS	BN	BN	PT
Pump Size	Wetted Section Material	Drive Identifier	Center Section and Air Valve	Fluid Covers and Manifolds	Seats	Balls	Diaphragms	Manifold O-Rings

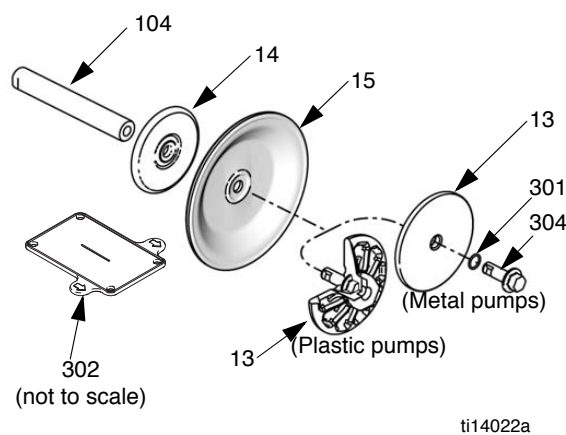
NOTE: Some kits may not be available for your model. See the selector tool at www.graco.com or speak with your distributor.

Standard Diaphragm Kits	
BN	24B622
FK	24B629
GE	24B623
SP	24B628
TP	24B624

Kits include:

- 8 o-rings, ptfе (12)
- 2 diaphragms (15, material indicated in table)
- 2 o-rings for the bolt (301, used only on metal pumps)
- 1 diaphragm install tool (302)

NOTE: Fluid plates (13, 14) and diaphragm shaft bolts (304) are sold separately. See page 30. The shaft (104) is part of Kit 24B621, the Center Section Rebuild Kit.

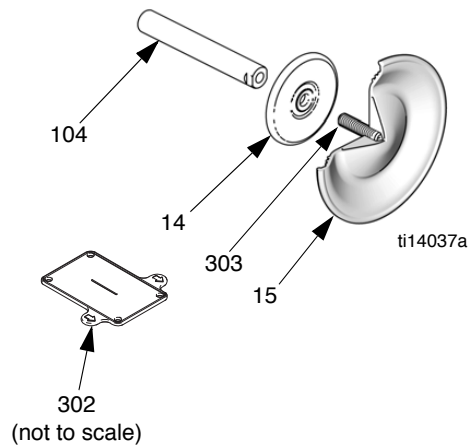


Overmolded Diaphragm Kits	
CO	24B625
PO	24B626

Kits include:

- 8 o-rings, ptfе (12)
- 2 overmolded diaphragms (15, material indicated in table)
- 2 diaphragm set screws, stainless steel (303)
- 1 diaphragm install tool (302)

NOTE: Fluid plates (14) are sold separately. See page 30. The shaft (104) is part of Kit 24B621, the Center Section Rebuild Kit.



Parts

Diaphragms (continued)

Sample Configuration Number: 1050A-PA01AA1SSBNBNPT

1050	A	P	A01A	A1	SS	BN	BN	PT
Pump Size	Wetted Section Material	Drive Identifier	Center Section and Air Valve	Fluid Covers and Manifolds	Seats	Balls	Diaphragms	Manifold O-Rings

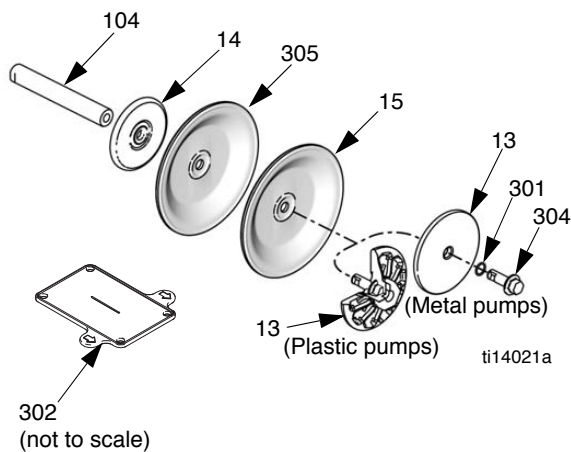
Two-Piece Diaphragm Kits

PT	24B627
n/a	24F926

Kits include:

- 8 o-rings, PTFE (12)
- 2 diaphragms, PTFE (15)
- 2 backup diaphragms (305, material indicated in table)
- 2 o-rings for the bolt (301, used only on metal pumps)
- 1 diaphragm install tool (302)

NOTE: Fluid plates (13, 14) and diaphragm shaft bolts (304) are sold separately. See page 30. The shaft (104) is part of Kit 24B621, the Center Section Rebuild Kit.



Air and Fluid Plate Kits

1050A	24C035
1050C	24C036
1050H	24D342
1050P	24C036
1050F	24C037
1050S	24C062

Kits for **aluminum, hastelloy, and stainless steel** pumps include:

- air side diaphragm plate (14)
- fluid side diaphragm plate (13)
- o-ring (301)
- bolt (304)

Kits for **polypropylene, conductive polypropylene, and PVDF** pumps include:

- air side diaphragm plate (14)
- fluid side diaphragm plate (13, includes bolt)

Diaphragm Shaft Bolt (Metal Pumps)

Kit 24C099 includes:

- 1 bolt, stainless steel, M12 x 35 (304)
- 1 o-ring (301)

Parts

Manifold O-Rings

Sample Configuration Number: 1050A-PA01AA1SSBNBNT

1050	A	P	A01A	A1	SS	BN	BN	PT
Pump Size	Wetted Section Material	Drive Identifier	Center Section and Air Valve	Fluid Covers and Manifolds	Seats	Balls	Diaphragms	Manifold O-Rings

O-Ring	Kit	Qty.
PT	24B655	8
--	Model includes no o-rings	0

Kit Includes:

- 8 o-rings, PTFE (12)

DataTrak

NOTE: See DataTrak manual, 313840, for all DataTrak related part numbers and kit information, including the reed switch and solenoid.

Accessories

Fluid Pressure Relief Kit 238428 (for aluminum pumps)

Includes pipe bushings, hose adapter, relief valve, and tubing.

Fluid Pressure Relief Kit 112119 (for plastic pumps)

Includes fluid pressure relief valve.

Wall Mount Kit 24C637

Includes bracket, 4 dampeners, 8 washers, and 8 lock nuts.

Wall Bracket Dampener Kit 24E769

Includes 4 dampeners.

Rubber Foot Mounting Kit 236452

Includes washers, nuts, and rubber feet.

Grounding Wire Assembly Kit 238909

Includes ground wire and clamp.

Air Controls Kit 246946

Includes 1/4 npt air filter/regulator with 40 micron element and air pressure gauge.

Air Controls Kit 246947

Includes 1/2 npt air filter/regulator with 40 micron element and air pressure gauge.

Standard Pipe Flange Kits 239005 - Polypropylene 239008 - Stainless steel 239009 - PVDF

Each kit includes the pipe flange, a PTFE gasket, bolts, spring lock washers, flat washers and nuts.

Optional Muffler

Part No. 102656, 3/4 npt, aluminum.