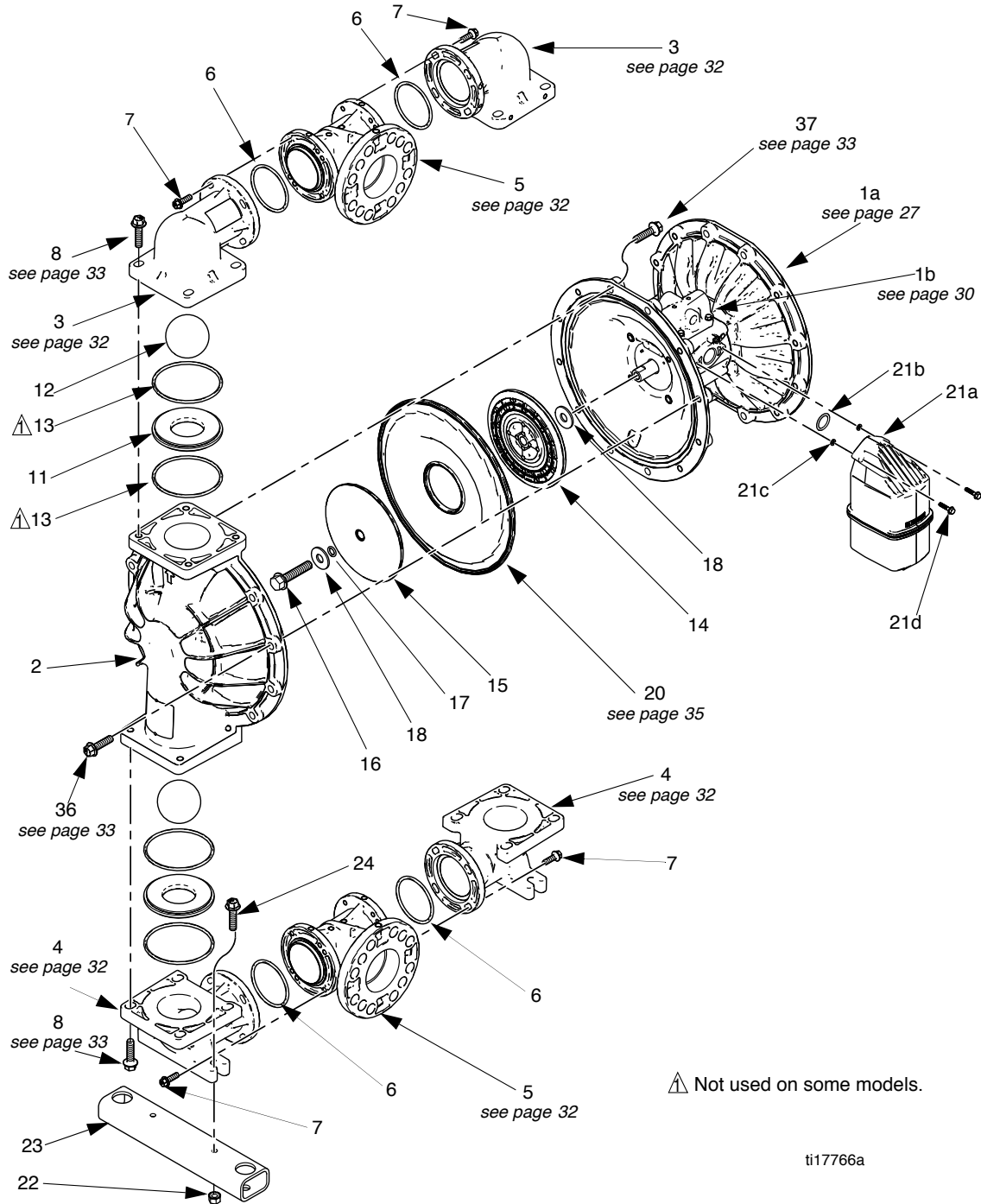


Graco Husky 3300

Parts 3300A, Aluminum

Parts
3300A, Aluminum



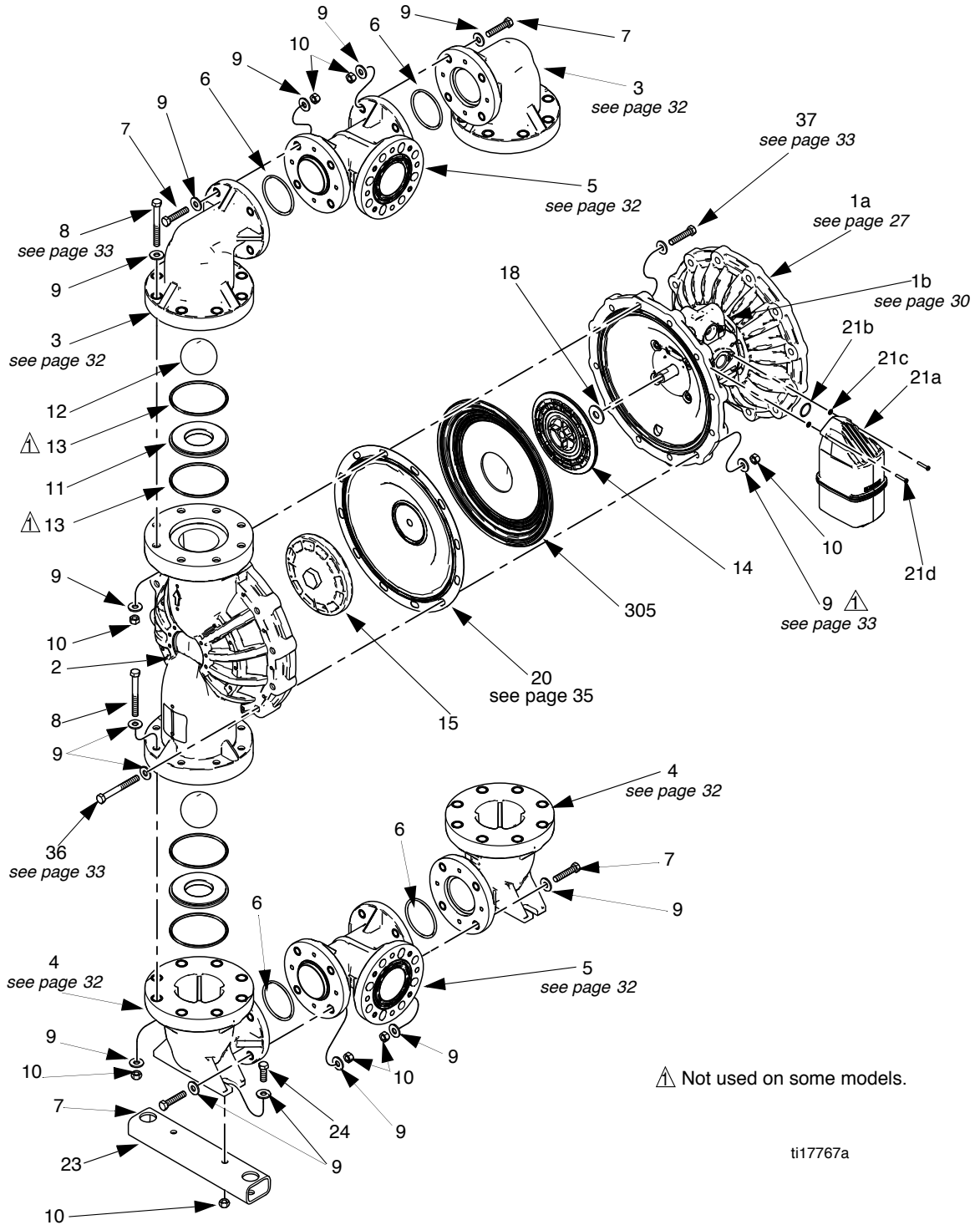
ti17766a

22

3A0411H

Parts 3300A, Aluminum

3300P, Polypropylene



⚠ Not used on some models.

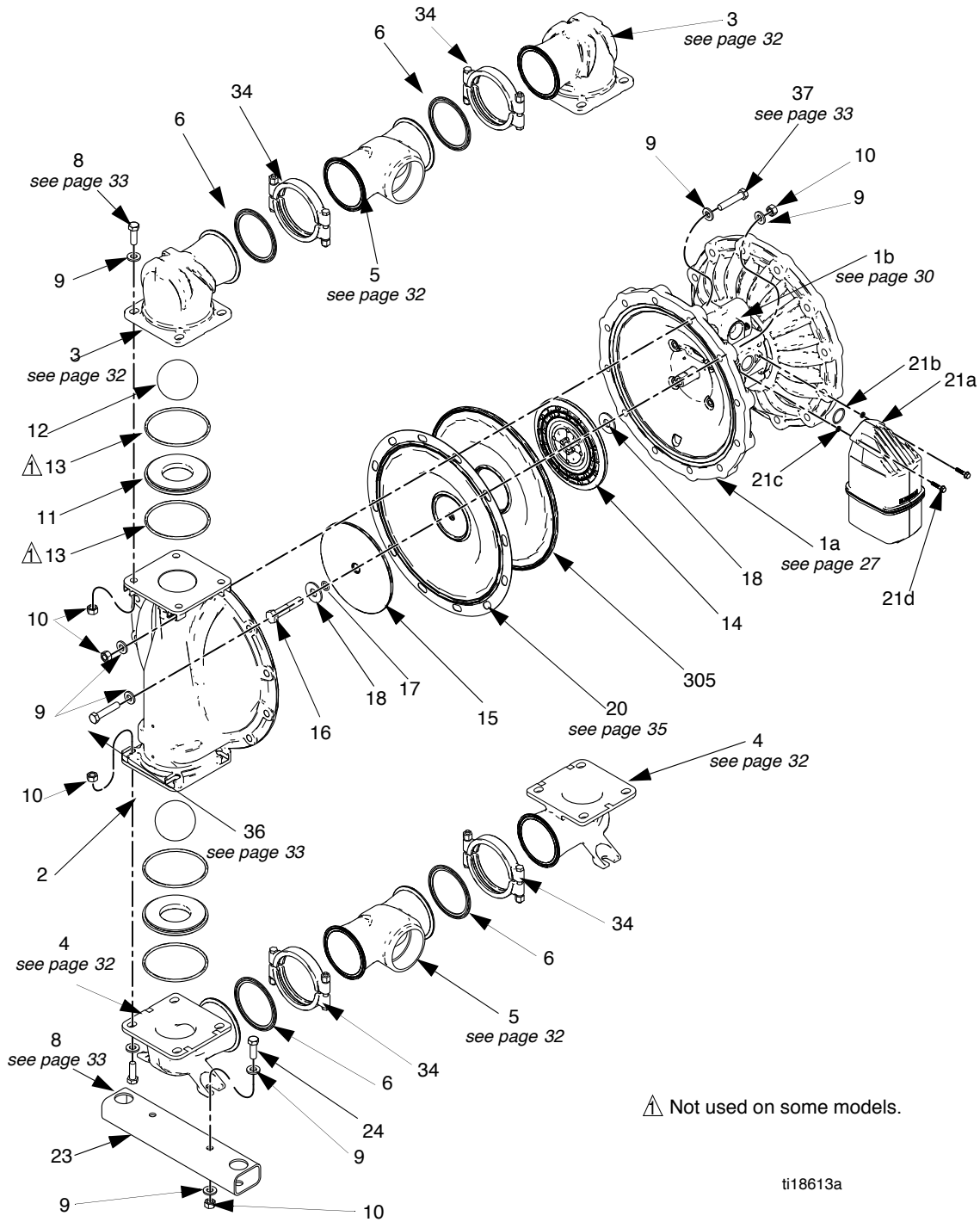
ti17767a

3A0411H

23

Parts 3300A, Aluminum

3300S, Stainless Steel



Parts 3300A, Aluminum

Parts/Kits Quick Reference

Use this table as a quick reference for parts/kits. See pages indicated in table for full description of kit contents.

Ref.	Part/Kit	Description
1a		CENTER SECTION, <i>not sold separately, see page 27</i>
	-----	Aluminum
	-----	Polypropylene
1b		AIR VALVE; <i>see page 30</i>
2		FLUID COVER KITS; <i>see page 32</i>
	24K871	Aluminum
	24K873	Polypropylene
	24K876	Stainless Steel
3		MANIFOLD, outlet elbow kits; <i>see page 32.</i>
	24K885	Aluminum
	24K888	Polypropylene
	24K892	Stainless Steel
4		MANIFOLD, inlet elbow kits; <i>see page 32.</i>
	24K886	Aluminum
	24K889	Polypropylene
	24K893	Stainless Steel
5		MANIFOLD, center kits, <i>see page 32.</i>
	24K884	Aluminum, npt
	24K969	Aluminum, bspt
	24K890	Polypropylene
	24K894	Stainless Steel, npt
	24K970	Stainless Steel, bspt
6		SEAL, manifold joint, <i>see page 37</i>
	24K880	Buna-N, for aluminum and poly
	24K879	PTFE, for aluminum and poly
	24K882	PTFE, for stainless steel
7		BOLTS, manifold elbows to center; not used on stainless steel, <i>see page 32</i>
	24K887	Aluminum
	24K891	Polypropylene
8		FASTENERS, manifold to fluid cover, <i>see page 33</i>
	24K956	Aluminum
	24K883	Polypropylene
	24K896	Stainless Steel
9	-----	WASHER, <i>included with fastener kits</i>
10	-----	NUT, <i>included with refs 36 and 37</i>

Ref.	Part/Kit	Description
11		SEATS; 4-pack, <i>see page 34</i>
	24K928	Acetal
	24K929	Aluminum
	24K930	Buna-N
	24K936	FKM Fluoroelastomer
	24K931	Geolast
	24K933	Polypropylene
	24K934	Santoprene
	24K935	Stainless Steel
	24K932	TPE
12		CHECK BALLS; 4-pack, <i>see page 34</i>
	24K937	Acetal
	24K938	Buna-N
	24K941	Polychloroprene, standard
	24K942	Polychloroprene, weighted
	24K945	FKM Fluoroelastomer
	24K939	Geolast
	24K943	PTFE
	24K944	Santoprene
	24K940	TPE
13		O-RING, seat (not used on some models); 8-pack, <i>see page 37</i>
	24K909	Buna-N
	24K927	PTFE
14	24K975	PLATE, air side diaphragm, includes o-ring (17) and washer (18)
15		PLATE, fluid side diaphragm, <i>see page 36</i>
	24K906	Aluminum
	24K907	Polypropylene
	24K908	Stainless steel
16	-----	SCREW, hex washer head, 3/8-11x 3 in., carbon steel, included with Ref. 15
17	-----	O-RING, included with Refs. 14 and 15
18	-----	WASHER, included with Refs. 14 and 15
20		DIAPHRAGM Kits; <i>see page 35</i>
	24K897	Buna-N Standard
	24K903	FKM Standard
	24K900	Geolast Standard
	24K898	Polychloroprene Overmolded
	24K904	Polychloroprene Standard
	24K899	PTFE Overmolded
	24K905	PTFE/Santoprene Two-Piece
	24K902	Santoprene Standard
	24K901	TPE Standard

Continued

Parts 3300A, Aluminum

Ref.	Part/Kit	Description
21a- 21d	24P932	MUFFLER, includes o-ring and mounting hardware
23	24K973 24K972	BRACKET, mounting, <i>see page 37</i> Aluminum Polypropylene and Stainless Steel
24	-----	BOLT, mounting, 1/2-13 , included in bracket kit
25▲	188621	LABEL, warning (not shown)
33▲		TAG, warning, retorque (not shown)
	16F337 16F338 16F742	Aluminum Polypropylene Stainless Steel
34	24K895	KIT, manifold clamp, used on stainless steel
36 and 37		FASTENERS, fluid cover to air cover, <i>see page 33</i>
	24K872 24K874 24K875 24K877 24K878	Aluminum Polypropylene, with poly center Polypropylene, with alum center Stainless Steel with alum center Stainless Steel with poly center
38▲	198382	LABEL, warning, multilingual (not shown)

▲ Replacement Warning labels, signs, tags, and cards are available at no cost.

Parts 3300A, Aluminum

Center Section

Sample Configuration Number: 3300A-PA01AA1TPACTPBN

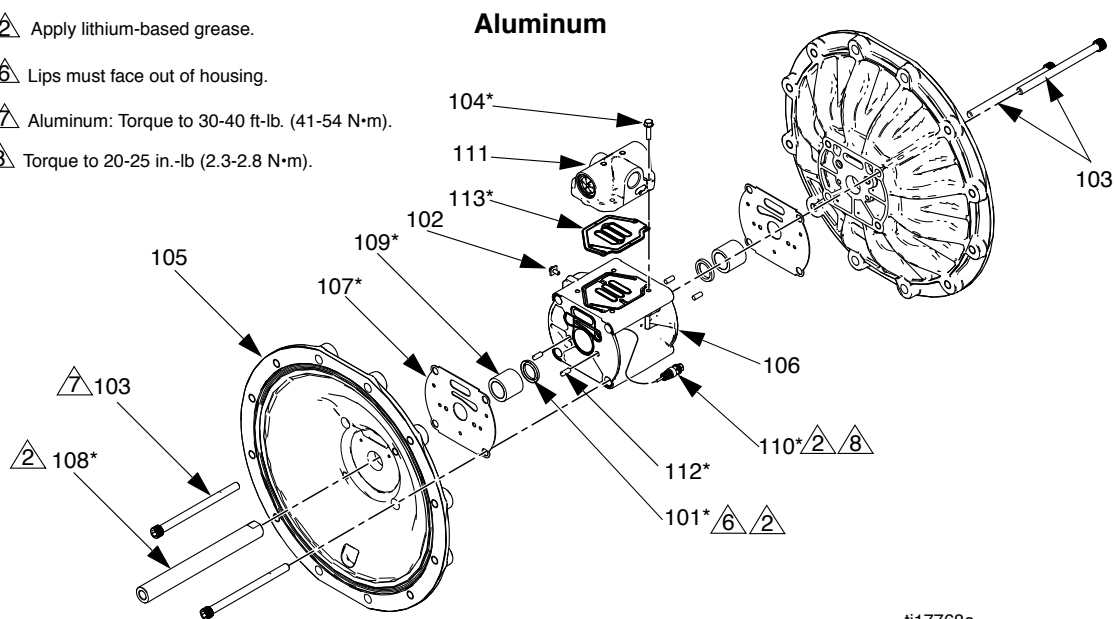
3300	A	P	A01A	A1	TP	AC	TP	BN
Pump Size	Wetted Section Material	Drive Identifier	Center Section and Air Valve	Fluid Covers and Manifolds	Seats	Balls	Diaphragms	Manifold and O-rings

Apply lithium-based grease.

Lips must face out of housing.

Aluminum: Torque to 30-40 ft.-lb. (41-54 N·m).

Torque to 20-25 in.-lb (2.3-2.8 N·m).



ti17768a

Aluminum Center Section

Ref.	Description	Qty.
101*	U-CUP, center shaft	2
102	SCREW, ground	4
103	BOLT, socket head, 7/16-14 x 6.25, zinc-plated carbon steel	4
104*	SCREW, M6 x 25, stainless steel	4
105	COVER, air	2
106	HOUSING, center, not sold separately	1
107*	GASKET, air cover	2
108*	SHAFT, center	1
109*	BEARING, shaft	2
110*	VALVE, pilot, assembly	2

Ref.	Description	Qty.
111	VALVE, air, <i>see page 31</i>	1
112*	PIN, dowel, stainless steel	4
113*	GASKET, air valve	1
114	LUBRICANT, thread, not shown	1
115	SEALANT, anaerobic, not shown	1

* Included in Center Section Rebuild Kit.

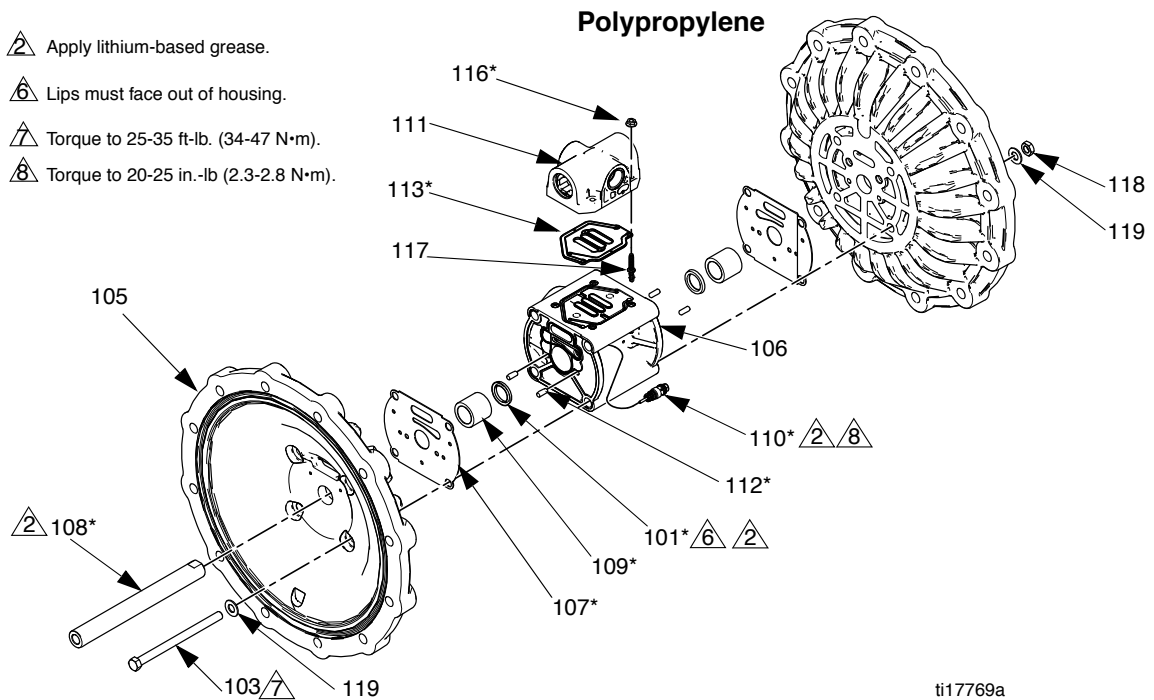
The center housing (106) is not sold separately.

Parts 3300A, Aluminum

Sample Configuration Number: 3300A-PA01AA1TPACTPBN

3300	A	P	A01A	A1	TP	AC	TP	BN
Pump Size	Wetted Section Material	Drive Identifier	Center Section and Air Valve	Fluid Covers and Manifolds	Seats	Balls	Diaphragms	Manifold and O-rings

- Apply lithium-based grease.
- Lips must face out of housing.
- Torque to 25-35 ft.-lb. (34-47 N•m).
- Torque to 20-25 in.-lb (2.3-2.8 N•m).



Polypropylene Center Sections

Ref.	Description	Qty.
101*	U-CUP, center shaft	2
103	BOLT, hex head, 7/16-14 x 6.25, stainless steel	4
105	COVER, air	2
106	HOUSING, center, not sold separately	1
107*	GASKET, air cover	2
108*	SHAFT, center	1
109*	BEARING, shaft	2
110*	VALVE, pilot, assembly	2
111	VALVE, air, <i>see page 31</i>	1
112*	PIN, dowel, stainless steel	4
113*	GASKET, air valve	1

Ref.	Description	Qty.
114	LUBRICANT, thread, not shown	1
116*	NUT, serrated	4
117	SCREW, hi-lo stud	4
118	NUT, jam, 7/16, stainless steel	4
119	WASHER, 7/16, stainless steel	8

** Included in Center Section Rebuild Kit.
The center housing (106) is not sold separately.*

Parts 3300A, Aluminum

Sample Configuration Number: 3300A-PA01AA1TPACTPBN

3300	A	P	A01A	A1	TP	AC	TP	BN
Pump Size	Wetted Section Material	Drive Identifier	Center Section and Air Valve	Fluid Covers and Manifolds	Seats	Balls	Diaphragms	Manifold and O-rings

Center Section Rebuild Kits (*)	
A01A, P01A	24K850
A01E	24K955
A01G, P01G	24K851

Kits include:

- 2 center shaft u-cups (101)
- 4 screws, M6 x 25, for **A01x** pumps (104)
- 2 air cover gaskets (107)
- 1 center shaft (108)
- 2 center shaft bearings (109)
- 2 pilot valve assemblies (110)
- 4 dowel pins (112)
- 1 air valve gasket (113)
- 4 nuts, serrated, for **P01x** pumps (116)
- 1 grease packet

Center Shaft Bearing Kits	
A01A, P01A, A01G, P01G	24K854
A01E	24K951

Kit includes:

- 2 center shaft u-cups (101)
- 2 center shaft bearings (109)

Air Cover Kits	
A01x	24K867
P01x	24K868

Kits include:

- 1 air cover (105)
- 1 air cover gasket (107)
- 2 dowel pins (112)

Pilot Valve Assembly Kits	
A01A, P01A, A01G, P01G	24A366
A01E	24K946

Kits include:

- 2 pilot valve assemblies (110)

Air Cover Center Bolt Kits	
Aluminum Center	24K869
Polypropylene Center	24K870

Aluminum Kit includes:

- 4 bolts (103), 7/16-14 x 6.25 in.

Polypropylene Kit includes:

- 4 bolts (103), 7/16-14 x 6.25 in.
- 4 jam nuts (118)
- 8 washers (119)

Center Shaft Kits	
A01A, P01A	24K852
A01E	24K950
A01G, P01G	24K853

Kit includes:

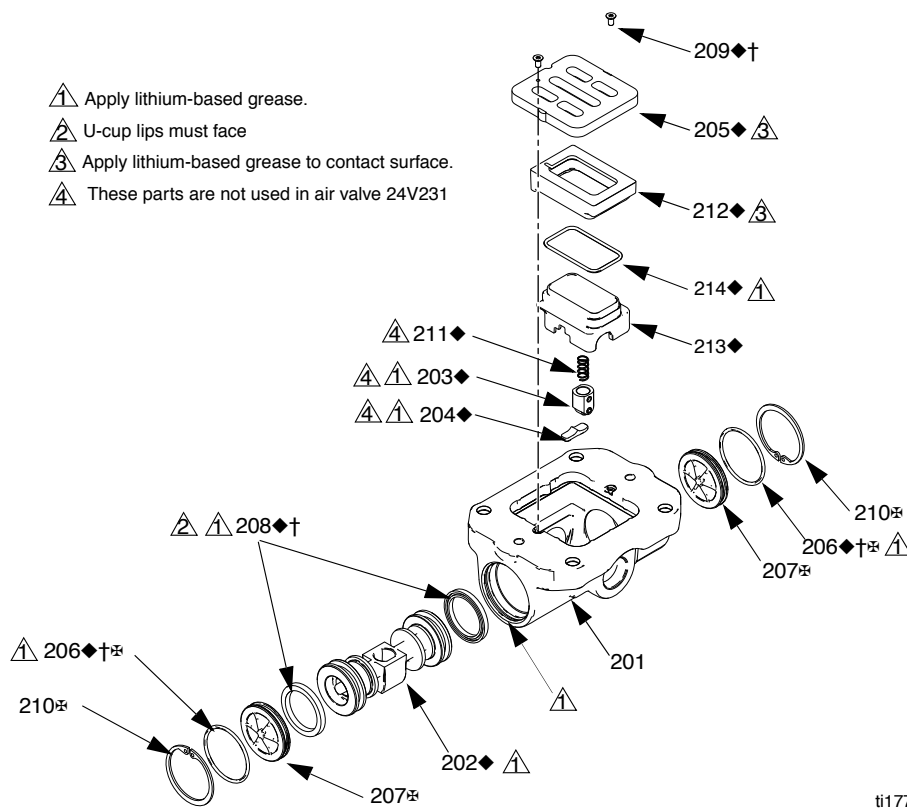
- 2 center shaft u-cups (101)
- 1 center shaft (108)
- 2 center shaft bearings (109)

Parts 3300A, Aluminum

Air Valve

Sample Configuration Number: 3300A-PA01AA1TPACTPBN

3300	A	P	A01A	A1	TP	AC	TP	BN
Pump Size	Wetted Section Material	Drive Identifier	Center Section and Air Valve	Fluid Covers and Manifolds	Seats	Balls	Diaphragms	Manifold and O-rings



ti17765a

Ref.	Description	Qty.
201	HOUSING, not sold separately	1
202◆	PISTON	1
203◆	DETENT PISTON ASSEMBLY	1
204◆	CAM, detent	1
205◆	PLATE, air valve	1
206◆†‡	O-RING	2
207‡	CAP, end	2
208◆†	U-CUP	2
209◆†	SCREW	2
210‡	RETAINING RING	2
211◆	DETENT SPRING	1

Ref.	Description	Qty.
212◆	BASE, cup	1
213◆	CUP	1
214◆	O-RING, cup	1

◆ Parts included in Air Valve Repair Kit. See page 31.

† Parts included in Air Valve Seals Kit. See page 31.

‡ Parts included in Air Valve End Cap Kit. See page 31.

Parts 3300A, Aluminum

Sample Configuration Number: 3300A-PA01AA1TPACTPBN

3300	A	P	A01A	A1	TP	AC	TP	BN
Pump Size	Wetted Section Material	Drive Identifier	Center Section and Air Valve	Fluid Covers and Manifolds	Seats	Balls	Diaphragms	Manifold and O-rings

Air Valve Seal Kits (†)	
A01A, P01A, A01G, P01G	24K859
A01E	24K948

Kit includes:

- 2 end cap o-rings (206)
- 2 piston u-cups (208)
- 2 screws, M3, shorter (209, for metal pumps)
- 2 screws, #4, longer (209, for plastic pumps)
- 1 air valve gasket (113)
- 1 grease packet
- 1 solenoid release button o-ring (not shown), used only with optional DataTrak kit.

Air Valve Repair Kits (◆)	
A01A, P01A, A01G, P01G	24K860
A01E	24K954

Kits include:

- 1 air valve piston (202)
- 1 detent piston assembly (203*)
- 1 detent cam (204*)
- 1 air valve plate (205)
- 2 end cap o-rings (206)
- 2 piston u-cups (208)
- 2 screws, M3, shorter (209, for metal pumps)
- 2 screws, #4, longer (209, for plastic pumps)
- 1 detent spring (211*)
- 1 air cup base (212)
- 1 air cup (213)
- 1 air cup o-ring (214)
- 1 solenoid release button o-ring (not shown), used only with optional DataTrak kit.
- 1 air valve gasket (113)
- 1 grease packet

*Not used in air valve 24V231, for models with PTFE overmolded diaphragms.

Air Valve Replacement Kits	
A01A, A01G	24K855
A01E	24K947
P01A	24K857
P01G	24V231

Kits include:

- 1 air valve assembly (1b)
- 1 air valve gasket (113)
- 4 screws (109; models with aluminum centers)
OR
- 4 nuts (112; models with plastic centers)

Air Valve End Cap Kits (⊗)	
A01x	24A361
P01x	24C053

Kits include:

- 2 end caps (207)
- 2 retaining rings (210)
- 2 o-rings (206)

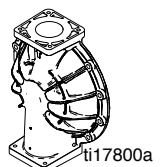
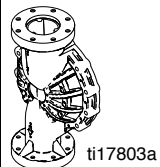
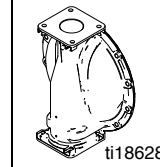
NOTE: If you have the optional DataTrak on your pump, see **Accessories**, page 38, for Air Valve Replacement kits.

Parts 3300A, Aluminum

Fluid Covers and Manifolds

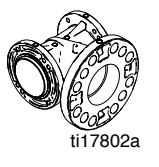
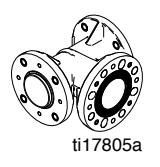
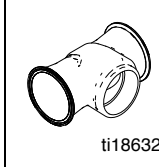
Sample Configuration Number: 3300A-PA01AA1TPACTPBN

3300	A	P	A01A	A1	TP	AC	TP	BN
Pump Size	Wetted Section Material	Drive Identifier	Center Section and Air Valve	Fluid Covers and Manifolds	Seats	Balls	Diaphragms	Manifold and O-rings

Fluid Cover Kits					
A1, A2	24K871	P1	24K873	S1, S2	24K876
					

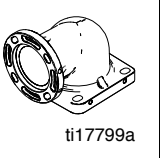
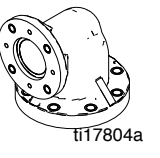
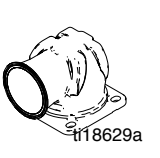
Kits include:

- 1 fluid cover (2)

Manifold Center Kits					
A1	24K884	P1	24K890	S1	24K894
A2	24K969			S2	24K970
					

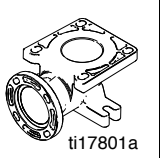
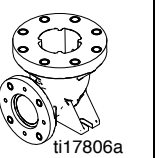
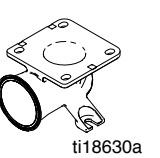
Kits include:

- 1 manifold center (5)

Outlet Manifold Elbow Kits					
A1, A2	24K885	P1	24K888	S1, S2	24K892
					

Kits include:

- 1 outlet manifold elbow (3)

Inlet Manifold Elbow Kits					
A1, A2	24K886	P1	24K889	S1, S2	24K893
					

Kits include:

- 1 inlet manifold elbow (4)

Manifold Center Fastener Kits	
A1, A2	24K887
P1	24K891
S1, S2	24K895

Aluminum kit includes:

- 8 bolts (7), hex head with flange base, 3/8-16 x 1.25 in., zinc-plated carbon steel

Polypropylene kit includes:

- 8 bolts (7), hex head, 1/2-13 x 2.5 in., stainless steel
- 16 washers (9)
- 8 nuts (10)

Stainless steel kit includes:

- 2 clamps (7a), 4 in., tri-clamp
- 2 gaskets (7b), 4 in., PTFE

Parts 3300A, Aluminum

Sample Configuration Number: 3300A-PA01AA1TPACTPBN

3300	A	P	A01A	A1	TP	AC	TP	BN
Pump Size	Wetted Section Material	Drive Identifier	Center Section and Air Valve	Fluid Covers and Manifolds	Seats	Balls	Diaphragms	Manifold and O-Rings

Manifold to Fluid Cover Fastener Kits	
A1, A2	24K956
P1	24K883
S1, S2	24K896

Aluminum kit includes:

- 8 bolts (7) , hex head with flange base, 1/2-13 x 1.25 in., zinc-plated carbon steel

Polypropylene kit includes:

- 16 bolts (7), hex head, 1/2-13 x 4 in., stainless steel
- 32 washers, 1/2 in., stainless steel
- 16 nuts, 1/2 in., stainless steel

Stainless steel kit includes:

- 8 bolts, hex head, 1/2-13 x 1.5 in., stainless steel
- 8 washers, 1/2 in., stainless steel
- 8 nuts, 1/2 in., stainless steel

Fluid Cover to Air Cover Fastener Kits	
A1, A2	24K872
P1 , with poly center	24K874
P1 , with aluminum center	24K875
S1, S2 , with poly center	24K878
S1, S2 , with aluminum center	24K877

Aluminum kit Includes:

- 12 bolts (36 and 37), hex head with flange, 1/2-13 x 2 in., zinc-coated carbon steel

Polypropylene with Poly Center kit includes:

- 8 bolts (36), hex head, 1/2-13 x 4 in., stainless steel
- 4 bolts (37, hex head, 1/2-13 x 2.5 in., stainless steel
- 20 washers (9), stainless steel
- 8 nuts (10), hex, stainless steel

Polypropylene with Aluminum Center kit includes:

- 8 bolts (36), hex head, 1/2-13 x 3.25 in., stainless steel
- 4 bolts (37), hex head, 1/2-13 x 2.25 in., stainless steel
- 12 washers (9), stainless steel

Stainless Steel with Aluminum Center Kit includes:

- 8 bolts (36), hex head, 1/2-13 x 1.5 in., stainless steel
- 4 bolts (37), hex head, 1/2-13 x 2.25 in., stainless steel
- 12 washers (9), stainless steel

Stainless Steel with Polypropylene Center Kit includes:

- 12 bolts (36 and 37), hex head, 1/2-13 x 2.5 in., stainless steel
- 20 washers (9), stainless steel
- 8 nuts, hex, 1/2 in., stainless steel

Parts 3300A, Aluminum

Seats and Check Balls

Sample Configuration Number: 3300A-PA01AA1TPACTPBN

3300	A	P	A01A	A1	TP	AC	TP	BN
Pump Size	Wetted Section Material	Drive Identifier	Center Section and Air Valve	Fluid Covers and Manifolds	Seats	Balls	Diaphragms	Manifold and O-Rings

Seat Kits	
AC*	24K928
AL*	24K929
BN	24K930
FK	24K936
GE*	24K931
PP*	24K933
SP*	24K934
SS*	24K935
TP	24K932

Check Ball Kits	
AC	24K937
BN	24K938
CR	24K941
CW	24K942
FK	24K945
GE	24K939
PT	24K943
SP	24K944
TP	24K940

Kits include:

- 4 seats (10), material indicated in table

* These seats require o-rings, which are sold separately. See page 37.

NOTE: Some kits may not be available for your model. See the selector tool at www.graco.com or speak with your distributor.

Kits Include:

- 4 balls (11), material indicated in table

NOTE: Some kits may not be available for your model. See the selector tool at www.graco.com or speak with your distributor.

Parts 3300A, Aluminum

Diaphragms

Sample Configuration Number: 3300A-PA01AA1TPACTPBN

3300	A	P	A01A	A1	TP	AC	TP	BN
Pump Size	Wetted Section Material	Drive Identifier	Center Section and Air Valve	Fluid Covers and Manifolds	Seats	Balls	Diaphragms	Manifold and O-Rings

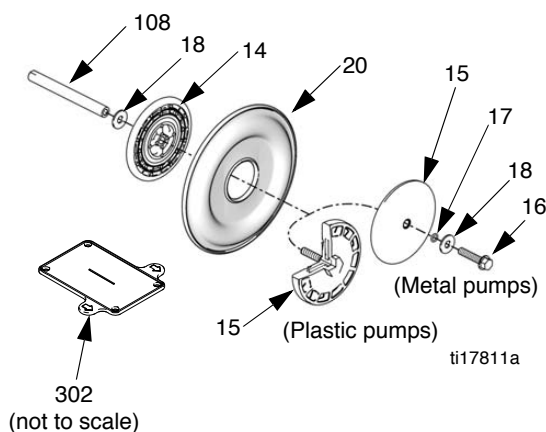
NOTE: Some kits may not be available for your model. See the selector tool at www.graco.com or speak with your distributor.

Standard Diaphragm Kits	
BN	24K897
CR	24K904
FK	24K903
GE	24K900
SP	24K902
TP	24K901

Kits include:

- 2 diaphragms (20, material indicated in table)
- 2 o-rings (17) for the bolt (used only on metal pumps)
- 1 diaphragm install tool (302), not included with rubber diaphragms

NOTE: Diaphragm plates (14, 15), washer (18) and diaphragm shaft bolts (16) are sold in separate kits. See page 36. The shaft (108) is part of Kit 24K850, the Center Section Rebuild Kit.



3A0411H

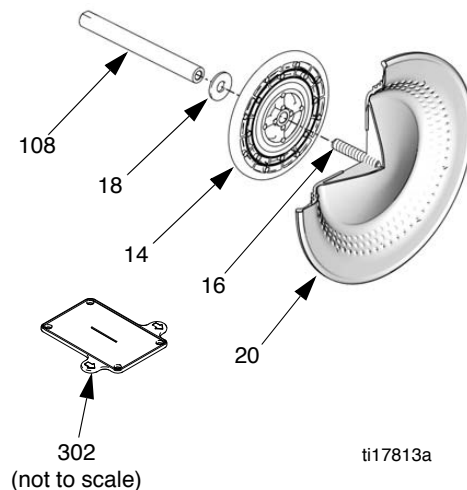
Overmolded Diaphragm Kits	
CO	24K898
PO	24K899

Kits include:

- 2 overmolded diaphragms (20, material indicated in table)
- 2 diaphragm set screws, stainless steel (16)
- 1 diaphragm install tool (302)
- 1 Loctite packet

NOTE: Air plates (14) and washer (18) are sold in a separate kit. See page 36. The shaft (108) is part of Kit 24K851, the Center Section Rebuild Kit.

NOTE: Air Valve Replacement Kit 24V231 is recommended for use with PTFE Overmolded diaphragm for maximum diaphragm life. See **Air Valve Replacement Kits**, page 31.



35

Parts 3300A, Aluminum

Diaphragms (continued)

Sample Configuration Number: 3300A-PA01AA1TPACTPBN

3300	A	P	A01A	A1	TP	AC	TP	BN
Pump Size	Wetted Section Material	Drive Identifier	Center Section and Air Valve	Fluid Covers and Manifolds	Seats	Balls	Diaphragms	Manifold and O-Rings

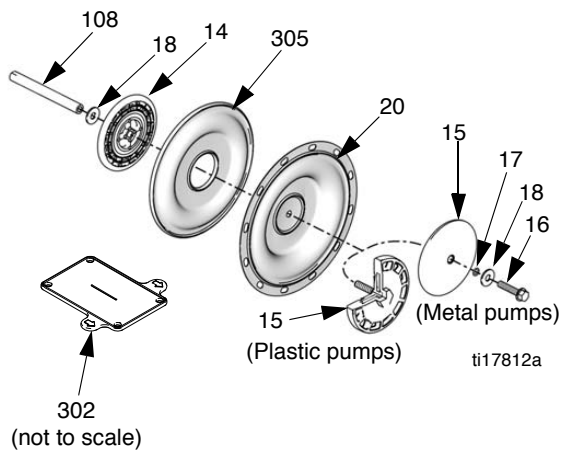
Two-Piece Diaphragm Kits

PT	24K905
-----------	--------

Kits include:

- 2 diaphragms (20), PTFE
- 2 backup diaphragms (305), Santoprene
- 2 o-rings for the bolt (17, used only on metal pumps)
- 1 diaphragm install tool.

NOTE: Diaphragm plates (14, 15), washer (18) and diaphragm shaft bolts (16) are sold in separate kits. See page 36. The shaft (108) is part of Kit 24K850, the Center Section Rebuild Kit.



Fluid Plate Kits

3300A	24K906
3300P	24K907
3300S	24K908

Kits for **aluminum** and **stainless steel** pumps include:

- 1 fluid side diaphragm plate (15)
- 1 washer (18)
- 1 o-ring (17)
- 1 bolt (16)

Kits for **polypropylene** pumps include:

- 1 air side diaphragm plate (14)
- 1 fluid side diaphragm plate (15)
- 1 washer (18)

Air Plate Kits

All Models	24K975
-------------------	--------

Kits include:

- 1 air side diaphragm plate (14)
- 1 washer (18)
- 1 o-ring (17)

Parts 3300A, Aluminum

Manifold and Seat Seals

Sample Configuration Number: 3300A-PA01AA1TPACTPBN

3300	A	P	A01A	A1	TP	AC	TP	BN
Pump Size	Wetted Section Material	Drive Identifier	Center Section and Air Valve	Fluid Covers and Manifolds	Seats	Balls	Diaphragms	Manifold and O-Rings

Manifold Center Seal Kits		
	Aluminum and Poly Pumps	Stainless Steel Pumps
PT	24K879	24K882
BN	24K880	not available
FK	24K881	

Kits for Aluminum or Polypropylene pumps include:

- 4 o-rings (6)
- 1 grease packet

Kit for Stainless Steel pumps includes:

- 4 gaskets (6)

Seat O-Ring Kits	
PT	24K927
BN	24K909
FK	24K926

Kit Includes:

- 8 o-rings (13)

Mounting Bracket Kits	
Aluminum	24K973
Polypropylene and Stainless Steel	24K972

Kit Includes:

- 2 mounting brackets (23)
- 4 bolts (24)
- 4 nuts (10) and 8 washers (9), polypropylene or stainless steel pumps