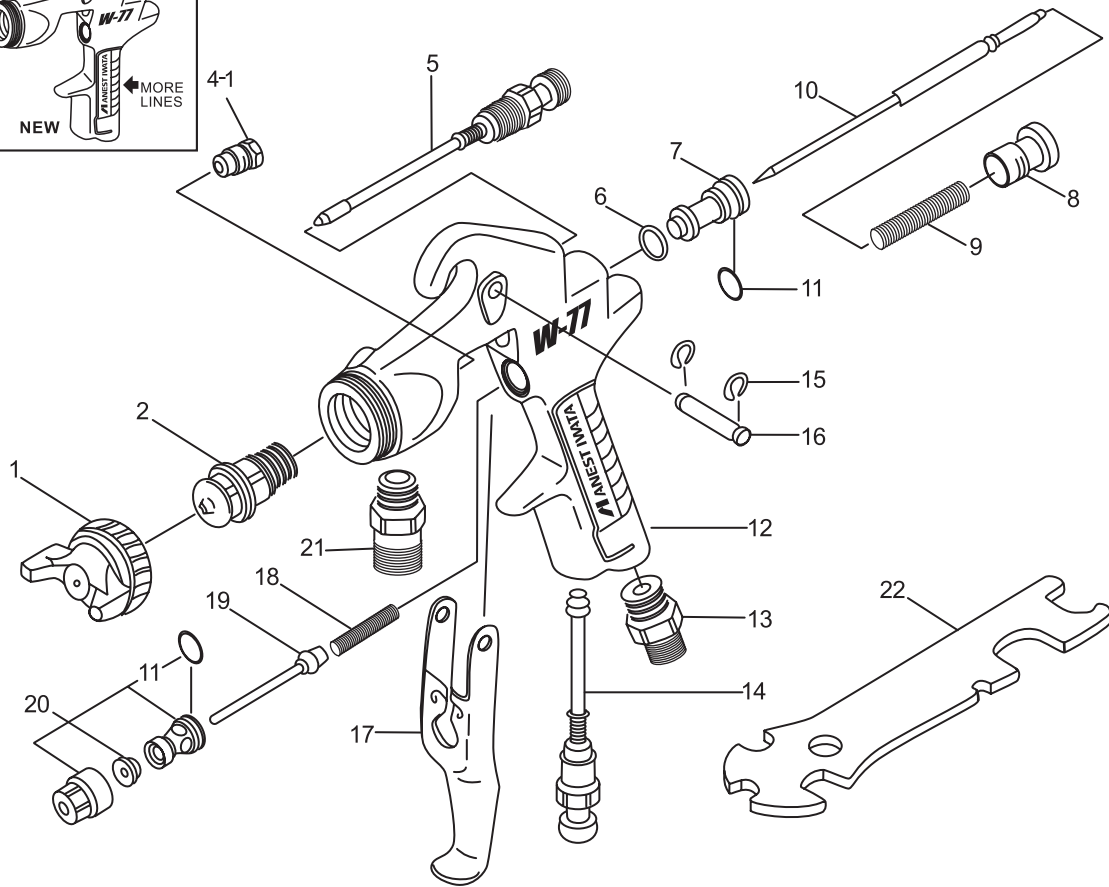
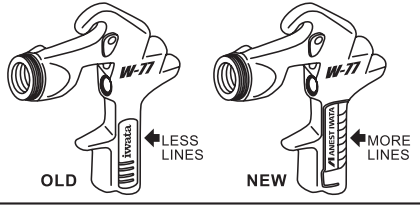


HOW TO TELL THE DIFFERENCE



Item No.	Part No.	Description	Item No.	Part No.	Description
1	93901911	Air Cap Set-0 (pressure 1.2 mm)	10	93904910	Fluid Needle Set-0 = 1.2 mm
1	93900901	Air Cap Set-1 = 1.5 mm	10	93904900	Fluid Needle Set-1 = 1.5 mm
1	93901901	Air Cap Set-2 = 2.0 mm	10	93905900	Fluid Needle Set-2 & 21 = 2 mm
1	93900911	Air Cap Set-3 = 2.5 mm	10	93906900	Fluid Needle Set-3 = 2.5 mm
1	93902911	Air Cap Set-11 = 1.5 mm	11		O Ring (2) see item 23
1	93916901	Air Cap Set-12 = 1.5 mm	12	93000901	Gun Body - Suction
1	93902901	Air Cap Set-21 = 2.0 mm	13	93160001	Air Hose Joint
2	93040910	Fluid Nozzle-0 = 1.2 mm	14	93907900	Air Adj. Valve Set
2	93040900	Fluid Nozzle-1 = 1.5 mm	15	93842240 #	Stop Ring (Pk 2)
2	93041900	Fluid Nozzle-2 = 2.0 mm	16	93167041	Trigger Stud
2	93042900	Fluid Nozzle-3 = 2.5 mm	17	93162900	Trigger
3		Needle packing Set (Obsolete)	18	93088050	Air Valve Spring
4		Needle Packing Seat (Obsolete)	19	93081900	Air Valve
4-1	93545660 #	Needle Packing with Nut	20	93930900	Air Valve Seat Set
5	93909900	Spreader Adj. Valve Set (NEW)	20-2	93909101 #	Packing-air vlave (Pk 2)
5	93908900	Spreader Adj. Valve Set (not avail. OLD)	21	93161901	Fluid Nipple - Suction
6		# Gasket (pkt 2) (Obsolete)	22	93280901	Spanner
7	93064901	Fluid Needle Guide	23	93906100 #	W77 O Ring Set (5-1, 11)
8	93102081	Fluid Adj. Knob		W77.RSK	Reservice Kit
9	93069081	Fluid Needle Spring			includes items marked #