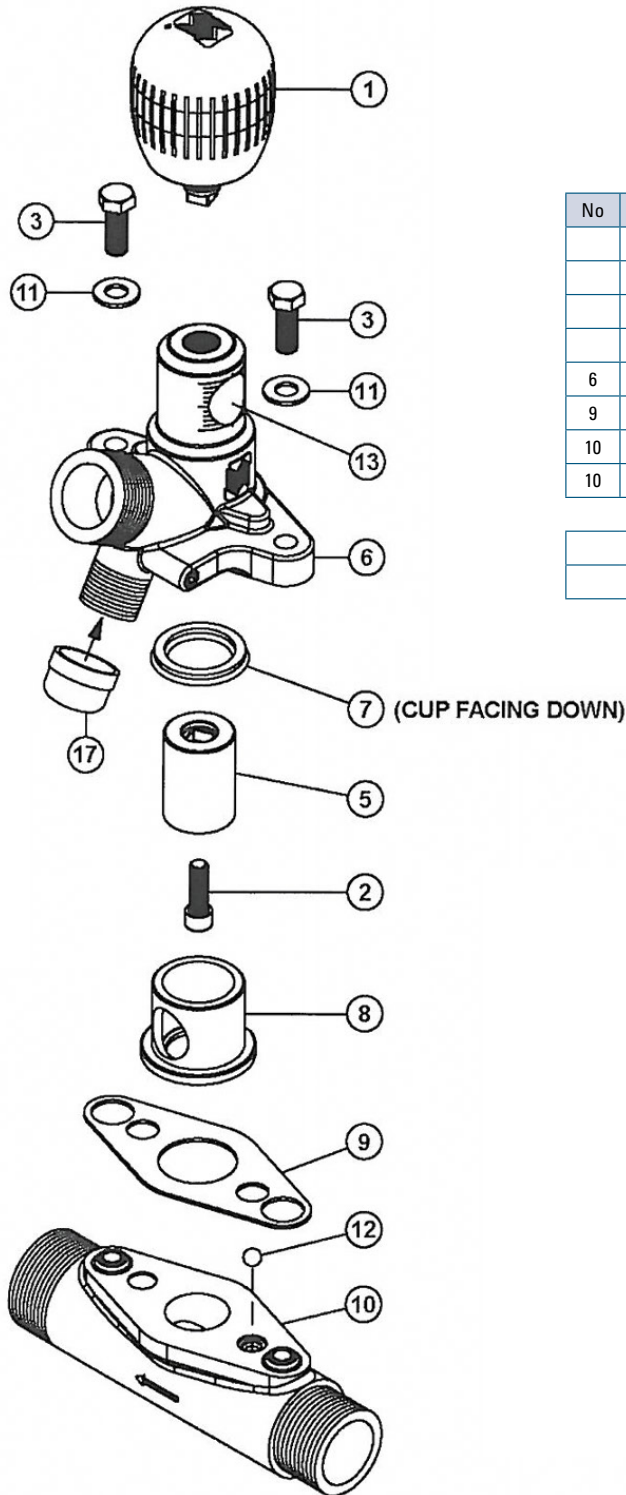


Micromiser II Abrasive Valve



No	Part Number	Description
	0302-7107	Valve Assembly 1-1/4"
	0302-7108	Valve Assembly 1-1/2"
	-	Parts Kit, Seals Only (Denoted by *)
	0305-1009	Parts Kit (Denoted by +)
6	0305-0006	Body
9	-	Gasket
10	0305-0710	Base, 1-1/4"
10	-	Base, 1-1/2"

Parts Kit, seals only includes items, 2, 5, 7, 8, 9, 12.
Parts Kit, includes items, 7, 8, 9 and 12 only

