



Product Guide

September 2020



burwell.com.au

1	Burwell Pressure Blast Machines	Page 1.0
2	Clemco Pressure Blast Machines	Page 2.0
3	Abrasive Metering Valves	Page 3.0
4	Hoses, Hose Fittings and Clamps	Page 4.0
5	Operator Safety Equipment	Page 5.0
6	Blast Cabinets	Page 6.0
7	Containment/Dryers/HoldTight	Page 7.0
8	Nortech Vacuum Systems	Page 8.0
9	Dust Extraction Fans	Page 9.0
10	Specialty Products	Page 10.0
11	UHP Water Blasting TurtleSkin	Page 11.0
12	Aquamiser UHP	Page 12.0
13	Abrasives	Page 13.0



Burwell Pressure Blast Machines 1.1

1230 with Micromiser Valve / 1" AAV / Clemco Dump..... 1.2
 1236 with Micromiser Valve / 1" AAV / Clemco Dump..... 1.3
 1244 with Micromiser Valve / 1" AAV / Clemco Dump..... 1.4
 Burwell 1230, 1236 and 1244 Blast Machine Parts 1.5
 1532 with Micromiser Valve / 1" AAV / Clemco Dump..... 1.6
 1642 Easy-Load with Micromiser Valve / 1" AAV /
 NEW Clemco Dump..... 1.7
 2449 Easy-Load with Micromiser Valve / 1" AAV /
 NEW Clemco Dump..... 1.8
 1648 with Micromiser Valve / 1" AAV / NEW Clemco Dump 1.9
 Burwell 1648 Blast Machine Parts 1.10
 2452 with Micromiser / AAV / Clemco Dump 1.11
 Burwell 2452 Blast Machine Parts 1.12
 2460DCSO with Micromiser TLR300 / MCP 1.13
 Burwell 2460DCSO Blast Machine Parts 1.14
 2460DCDO T2 / 1-1/2" Electric 1.15
 Burwell 2460DCDO Blast Machine Parts 1.16
 Fat Boy 1.18
 Moisture Trap 1.19
 Moisture Trap Parts 1.19
 Water Separator 1.19
 Air Receiver 1.20
 Pressure Regulators and Parts - Metal Works 1.20

Clemco Pressure Blast Machines..... 2.1

Classic 1028 0.5 cu ft 2.2
 Classic 1648 3 cu ft 2.3
 Classic 2452 6 cu ft..... 2.4
 Contractor 4 cu ft..... 2.6
 Contractor 6 cu ft..... 2.7

Abrasive Metering Valves 3.1

MV2..... 3.2
 Thompson I / Gritmaster 3.3
 Thompson II 3.4
 Thompson II (continued) 3.5
 MPC 210 3.6
 Clemco Quantum 3.8
 Clemco Quantum with ACS..... 3.9
 Clemco MSV 3.10
 Combo Valve 3.11
 Clemco 1/2" Inlet Valve 3.12
 Clemco 1" Inlet Valve..... 3.13
 Clemco 1-1/2" Inlet Valve 3.14

Clemco 1/2" Outlet Valve 3.15
 Clemco 1" Outlet Valve 3.16
 Clemco 1" Diaphragm Outlet 3.17
 Clemco Millennium 3.18
 Clemco Millennium (continued) 3.19
 AAV 1-1/4" and AAV 1-1/2" 3.20
 AAV 1" 3.21
 Burwell Dump Valve - Small..... 3.22
 Burwell Dump Valve - Large 3.24
 Clemco Abrasive Trap 3.25
 Clemco Muffler 3.26
 Burwell Silencer 3.27

Hoses, Hose Fittings and Clamps 4.1

Unfitted Air Hose 4.2
 Fitted Air Hose 4.2
 Bullhose Fittings and Clamps 4.2
 A-Type Quick Release Couplings and Clamps 4.3
 Ryco Brass Nut and Tails 4.3
 Hose Tails 4.4
 Brass Nipples 4.4
 Push Fittings 4.4
 O-Clips 4.6
 Heavy Wall Blast Hoses..... 4.6
 Light Wall Blast Hoses..... 4.6
 Hose Cutters 4.6
 Whip Check Blast Hose Safety Cables..... 4.7
 Hose Coupling Safety Clips 4.7
 Pot Couplings 4.7
 Pot Coupling Rubbers 4.8
 Hose Couplings..... 4.8
 Hose Coupling Rubbers 4.9
 Nozzle Holders 4.9
 Nozzle Holder Rubbers 4.9
 3/4" Thread Straight Bore Tungsten Carbide (Boride)..... 4.10
 3/4" Thread Straight Bore Boron Carbide (Boride) 4.10
 3/4" Thread Venturi Bore Tungsten Carbide (Boride)..... 4.10
 3/4" Thread Angle Nozzles (Boride) 4.12
 3/4" Thread Curved Nozzle (Boride) 4.12
 2" Thread Wide Throat Polyurethane/Aluminium Jacket
 Tungsten Carbide (Boride) 4.12
 2" Thread Wide Throat Rubber Jacket Tungsten Carbide (Clemco). 4.13
 2" Thread Wide Throat Polyurethane/Aluminium Jacket
 Boron Carbide (Boride) 4.13
 2" Thread Wide Throat Light Weight Polyurethane Jacket Ceramic
 Composite Liner (Boride)..... 4.13

2" Thread Double Venturi Tungsten Carbide (Boride).....	4.14
2" Thread Water Induction Tungsten Carbide (Boride).....	4.14
2" Thread Angle Nozzles Tungsten Carbide (Boride).....	4.15
Clemco Wet Blast Attachment.....	4.15

Operator Safety Equipment5.1

Clemco Apollo 600	5.2
NOVA 2000.....	5.5
NOVA 3	5.6
Problast Spare Parts	5.7
Clemco Cool Air Tube	5.8
Clemco Climate Control Tube.....	5.9
Silencer Helmet and Protection Suit for Shot Blasting.....	5.11
Clemco Apollo Helmet Communication Systems.....	5.12
Clemco Apollo Helmet Communication Systems (Components).....	5.12
Clemco Helmet Breathing Air Filter CPF 20 (2 Outlet).....	5.13
Clemco Helmet Breathing Air Filter CPF 80 (4 Outlet).....	5.15
Radex Breathing Air Filter Cartridge	5.17
Sundstrom.....	5.18
Clemco CMS-1 CO2 Monitor (Fixed Installation Model).....	5.20
Clemco CMS-2 CO2 Monitor (Fixed Installation Model).....	5.21
Clemco CMS-3 In-Helmet CO Monitor	5.22
Replacement Parts CMS-3.....	5.22
Certified Breathing Hose	5.23
Certified Breathing Hose Fittings	5.23
Brass Nut and Tail Fittings	5.23
Miscellaneous Safety Equipment	5.24
Blast Lights	5.25
Clemco Remote Control System	5.26
Burwell Control Hose and Fittings.....	5.27
Burwell Pro Series Electric Deadman Conversion Kits	5.27
Electric Deadman Systems with ACS	5.28
Clemco RLX Pneumatic Remote Control Trigger.....	5.29
Burwell Pneumatic Remote Control Trigger.....	5.30
Other Pneumatic Deadman Triggers.....	5.31

Blast Cabinets 6.1

Cyclone	6.2
Pressure Blast Heavy Duty.....	6.3
Optional Equipment	6.4
Dust Collectors	6.4
Jet Pulse Collector Parts	6.6
General Parts	6.7
General Parts (continued)	6.8
Gun Assembly.....	6.9

General Cabinet Parts.....	6.10
Handy Kleen Parts	6.11
Handy Kleen Gun Parts.....	6.12

Containment, Dryers and HoldTight7.1

Burwell Containment Sheeting - Enviroguard	7.2
Burwell Containment Sheeting - Scaf-Lite	7.2
KwikAz	7.4
Van Air Blast Pak Systems.....	7.4
HoldTight 102.....	7.6

Nortech Vacuum Systems 8.1

15 Gallon Complete Vacuum Units.....	8.2
55 Gallon Complete Vacuums - Single Venturi.....	8.2
30 Gallon Complete Vacuums - Single Venturi.....	8.2
55 Gallon Complete Vacuums - Double Venturi	8.4
Hoses	8.4
Filters.....	8.4
Liquid Shut-Offs and Drains	8.5
1400 Vac Kit	8.5
1410 Vac Kit.....	8.5

Dust Extraction Fans9.1

Fans.....	9.2
Socks.....	9.3
Clamps	9.3
Spares	9.3

Specialty Products.....10.1

Suction Can Complete	10.2
Suction Can Parts	10.2
Burwell Gun Assembly Parts.....	10.2
Educt-o-matic Parts	10.4
Educt-o-matic Parts (continued).....	10.5
MBX Pneumatic / Electric System.....	10.6
Bristle Blaster Tool and Spares - Pneumatic.....	10.6
Bristle Blaster Tool and Spares - Electric.....	10.8
Clemco Power Injection Gun (requires minimum 60cfm).....	10.9
Related Injection Gun Products	10.9
Clemco Hollo-Blast Jnr (3/8" Thread)	10.10
Clemco Hollo-Blast (1-1/4" Thread)	10.11
Clemco Spin Blast (1-1/4" Thread).....	10.12
Clemco Spin Blast Parts	10.14
Complete Blast 'n' Vac Units	10.15

UHP Water Blasting Turtleskin..... 11.1

Suit Components 11.2
 Replacement TurtleSkin Kits 11.3
 Suit Replacement..... 11.3
 Gaiter Replacement 11.4
 Gauntlet Replacement 11.4
 Standard Replacement Kits 11.4

Aquamiser UHP 12.1

40K Pump Assembly (Old Style) 12.2
 40K Pump Assembly (New Style) 12.4
 Miscellaneous Spares 12.6
 UHP Hoses..... 12.6
 Dynamic Seal Set..... 12.8
 Plunger Assembly..... 12.8
 Gun Assembly..... 12.9
 Gun Parts 12.9
 Gun Parts (continued) 12.10
 Gun Parts (continued) 12.11
 Gun Parts (continued) 12.12
 Gun Parts (continued) 12.13
 Gun Parts (continued) 12.14
 Abrasive Fan Gun and Parts 12.15

Abrasives 13.1

Staurolite 13.2
 Blastrite 30/60 - SA - PREMIUM 13.2
 Honray Garnet - Rock C Premium..... 13.2
 Pyrostone 13.4
 Black Beauty Granulated Furnace Slag..... 13.4
 Black Beauty Bulk Bags 13.5
 Brown Aluminium Oxide - IMPORTED..... 13.5
 Brown Aluminium Oxide - LOCAL..... 13.6
 White Aluminium Oxide - IMPORTED 13.6
 White Aluminium Oxide - LOCAL..... 13.7
 Silicon Carbide 13.7
 Steel Grit (Shandong Kaitai) 13.8
 Steel Shot (Shandong Kaitai) 13.8
 Limestone 13.8
 Glass Bead 13.9
 Armex..... 13.9
 Crushed Glass 13.9
 Walnut Shell 13.9



With over 50 Years of experience, you can't go past Burwell Blast Rooms

Since 1969, Burwell Technologies have been designing and manufacturing Enclosed Blast Facilities whilst staying true to their philosophy of delivering top grade equipment, service and professionalism.

A number of features are available to you and our installers will ensure that all the sections of the room are installed with the bare minimum of mess and fuss.



Tough Concrete Tilt Panels



Personnel Door View Window



Powerful LED Lighting



Abrasive Reclamation



Fast Expert Installation



After-Market Service Plans



First Class Dust Collection

Conveniently located
across Australia

Find your nearest branch by calling
1300 287 935 or visit us at burwell.com.au

1



Burwell Pressure Blast Machines

Since 1969, our reliable field service has made Burwell Blast Machines the preferred system for industrial blasting and painting contractors. Burwell Blast Machines are built tough to survive the real world so they spend more time at the job site and less time in the work shop.

Burwell Pressure Blast Machines



0131-1230-11

1230 with Micromiser Valve / 1" AAV / Clemco Dump

Page 1.2



0191-2452-10

2452 with Micromiser / AAV / Clemco Dump

Page 1.11



0152-364412-40

Fat Boy

Page 1.18



0303-2681

Moisture Trap

Page 1.19



0501-2303

Air Receiver

Page 1.20



2404-6340

Pressure Regulators and Parts - Metal Works

Page 1.20

CONTENTS

1230 with Micromiser Valve / 1" AAV / Clemco Dump.....	1.2	2460DCSO with Micromiser TLR300 / MCP.....	1.13
1236 with Micromiser Valve / 1" AAV / Clemco Dump.....	1.3	Burwell 2460DCSO Blast Machine Parts.....	1.14
1244 with Micromiser Valve / 1" AAV / Clemco Dump.....	1.4	2460DCDO T2 / 1-1/2" Electric.....	1.15
Burwell 1230, 1236 and 1244 Blast Machine Parts.....	1.5	Burwell 2460DCDO Blast Machine Parts.....	1.16
1532 with Micromiser Valve / 1" AAV / Clemco Dump.....	1.6	Fat Boy.....	1.18
1642 Easy-Load with Micromiser Valve / 1" AAV / NEW Clemco Dump.....	1.7	Moisture Trap.....	1.19
2449 Easy-Load with Micromiser Valve / 1" AAV / NEW Clemco Dump.....	1.8	Moisture Trap Parts.....	1.19
1648 with Micromiser Valve / 1" AAV / NEW Clemco Dump.....	1.9	Water Separator.....	1.19
Burwell 1648 Blast Machine Parts.....	1.10	Air Receiver.....	1.20
2452 with Micromiser / AAV / Clemco Dump.....	1.11	Pressure Regulators and Parts - Metal Works.....	1.20
Burwell 2452 Blast Machine Parts.....	1.12		

Burwell Abrasive Blast Pots and Spares

1230 with Micromiser Valve / 1" AAV / Clemco Dump



0131-1230-11

DESCRIPTION	PART NUMBER	QTY
50Kg Blast Pot with Screen, Lid, Auto Inlet Valve, Exhaust Valve, Micromiser Abrasive Valve, Deadman Line (10m), Deadman Handle	0131-1230-10	1
1230 Auto Blast Pot complete with listed items below	0131-1230-11	1
19mm x 33mm Blast Hose, 10m	0501-2430	10
Nozzle Holder, Clemco Nylon	0502-11398	1
Hose Coupling, Clemco Nylon	0502-11395	1
Helmet Hose (includes Ryco fittings)	0603-2026	1
Apollo 600 with Air Control Valve	0702-25191	1
CPF-20 Filter BSP including Regulator	0702-03580	1
1" Moisture Trap	0303-2682	1
1/4" Bore Venturi Nozzle Rubber Jacket	0802-05283	1

Burwell Abrasive Blast Pots and Spares

1236 with Micromiser Valve / 1" AAV / Clemco Dump



0131-1236-11

DESCRIPTION	PART NUMBER	QTY
70Kg Blast Pot with Screen, Lid, Auto Inlet Valve, Exhaust Valve, Micromiser Abrasive Valve, Deadman Line (10m), Deadman Handle	0131-1236-10	1
1236 Auto Blast Pot complete with listed items below	0131-1236-11	1
19mm x 33mm Blast Hose, 10m	0501-2430	10
Nozzle Holder, Clemco Nylon	0502-11398	1
Hose Coupling, Clemco Nylon	0502-11395	1
Helmet Hose (includes Ryco fittings)	0603-2026	1
Apollo 600 with Air Control Valve	0702-25191	1
CPF-20 Filter BSP including Regulator	0702-03580	1
1" Moisture Trap	0303-2682	1
1/4" Bore Venturi Nozzle Rubber Jacket	0802-05283	1

Burwell Abrasive Blast Pots and Spares

1244 with Micromiser Valve / 1" AAV / Clemco Dump



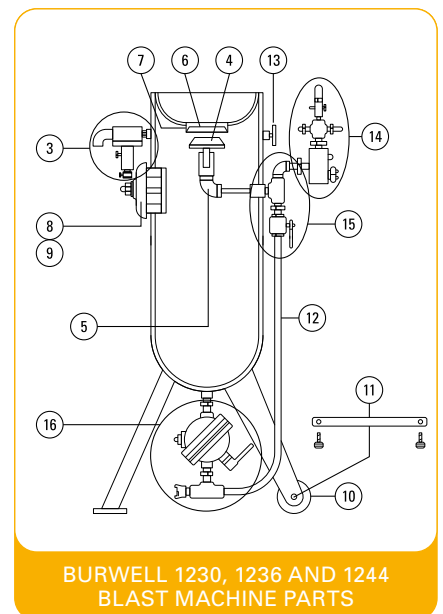
0131-1244-10

DESCRIPTION	PART NUMBER	QTY
110Kg Blast Pot with Screen, Lid, Auto Inlet Valve, Exhaust Valve, Micromiser Abrasive Valve, Deadman Line (10m), Deadman Handle	0131-1244-10	1
1244 Auto Blast Pot complete with listed items below	0131-1244-11	1
19mm x 33mm Blast Hose, 10m (per metre)	0501-2430	10
Nozzle Holder, Clemco Nylon	0502-11398	1
Hose Coupling, Clemco Nylon	0502-11395	1
Helmet Hose (includes Ryco fittings)	0601-2026	1
Apollo 600 with Air Control Valve	0702-25191	1
CPF-20 Filter BSP including Regulator	0702-03580	1
1" Moisture Trap	0303-2682	1
1/4" Bore Venturi Nozzle Rubber Jacket	0802-05283	1

Burwell Abrasive Blast Pots and Spares

Burwell 1230, 1236 and 1244 Blast Machine Parts

NO	DESCRIPTION	PART NUMBER	QTY
3	1/2" Diaphragm Outlet Valve	0403-02512	1
4	Pop Up Valve	0304-3004	1
5	Pop Up Valve Guide (1230 Only)	0304-3005	1
5	Pop Up Valve Guide (1236 Only)	0304-3606	1
5	Pop Up Valve Guide (1244 Only)	0304-4405	1
6	Pop Up Valve Seating Rubber	0304-3006	1
7	Seating Ring	0304-3007	1
8	Hand Hole Cover, Complete	0304-3008	1
9	Hand Hole Cover Gasket	0304-2143	1
10	5" Solid Rubber Wheels	0304-3010	2
11	Axle Assembly (Axle, Split Pins and Washers)	0304-3011	1
12	Choke Valve Hose including Clamps (1230)	0304-3012	1
12	Choke Valve Hose including Clamps (1244)	0304-4412	1
13	Pressure Gauge (Rear Entry)	0304-1473	1
14	1/2" Inlet Valve	0403-02164	1
15	Choke Valve Assembly, Complete	0302-3035	1
16	MSV 1/2" Abrasive Control Valve, Complete	0403-01247	1
16a	Micromiser Valve	0302-6821	1
*	Nipple, B/S 1" x 1/2" BSP Reducing	0305-2808	1
*	Coupling, Pot Aluminium 1/2" CFA-1/2	0502-00558	1
*	Nipple, B/S 1/2" BSP	0305-1809	2
*	Tee, 3000LB 1/2" BSP	0305-1815	1
*	Hose Tail, 1/2" x 1/2" BSP Male	0601-30206	1
*	Pin, Locking Safety	0503-1319	1
	Screen for 12" Diameter Blast Machine	0304-0127	1
	Lid for 12" Diameter Blast Machine	0304-0125	1



Try and make sure you are getting 100 psi at the nozzle. This will ensure that your Blast Machine is operating at it's peak performance.

Burwell Abrasive Blast Pots and Spares

1532 with Micromiser Valve / 1" AAV / Clemco Dump



0131-1532-10

DESCRIPTION	PART NUMBER	QTY
70Kg Blast Pot with Screen, Lid, Auto Inlet Valve, Exhaust Valve, Micromiser Abrasive Valve, Deadman Line (10m), Deadman Handle	0131-1532-10	1
1532 Auto Blast Pot complete with listed items below	0131-1532-11	1
19mm x 33mm Blast Hose, 10m	0501-2430	10
Nozzle Holder, Clemco Nylon	0502-11398	1
Hose Coupling, Clemco Nylon	0502-11395	1
Helmet Hose (includes Ryco fittings)	0603-2026	1
Apollo 600 with Air Control Valve	0702-25191	1
CPF-20 Filter BSP including Regulator	0702-03580	1
1" Moisture Trap	0303-2682	1
1/4" Bore Venturi Nozzle Rubber Jacket	0802-05283	1

Burwell Abrasive Blast Pots and Spares

1642 Easy-Load with Micromiser Valve / 1" AAV / NEW Clemco Dump



0191-1642-10

DESCRIPTION	PART NUMBER	QTY
165Kg Easy-Load Blast Pot with Screen, Lid, Auto Inlet Valve, Exhaust Valve, Micromiser Abrasive Valve, Deadman Line (20m), Deadman Handle	0191-1642-10	1
1642 Auto Blast Pot complete with listed items below	0191-1642-13	1
32mm x 48mm Blast Hose (20m) *per metre	0502-04303	20
Nozzle Holder, Clemco Nylon	0502-04127	1
Hose Coupling, Clemco Nylon	0502-08413	1
Helmet Hose (20m) (with Ryco fittings)	0601-2027	1
Apollo 600 with Air Control Valve	0702-25191	1
CPF-20 Filter BSP including Regulator	0702-03580	1
1-1/2" Moisture Trap	0303-2683	1
3/8" Bore Venturi Nozzle Rubber Jacket	0802-92026	1

Burwell Abrasive Blast Pots and Spares

2449 Easy-Load with Micromiser Valve / 1" AAV / NEW Clemco Dump



0191-2449-10

DESCRIPTION	PART NUMBER	QTY
272Kg Easy-Load Blast Pot with Screen, Lid, Auto Inlet Valve, Exhaust Valve, Micromiser Abrasive Valve, Deadman Line (20m), Deadman Handle	0191-2449-10	1
2449 Auto Blast Pot complete with listed items below	0191-2449-13	1
32mm x 48mm Blast Hose (20m) *per metre	0502-04303	20
Nozzle Holder, Clemco Nylon	0502-04127	1
Hose Coupling, Clemco Nylon	0502-08413	1
Helmet Hose (20m) (with Ryco fittings)	0601-2027	1
Apollo 600 with Air Control Valve	0702-25191	1
CPF-20 Filter BSP including Regulator	0702-03580	1
1-1/2" Moisture Trap	0303-2683	1
3/8" Bore Venturi Nozzle Rubber Jacket	0802-92026	1

Burwell Abrasive Blast Pots and Spares

1648 with Micromiser Valve / 1" AAV / NEW Clemco Dump



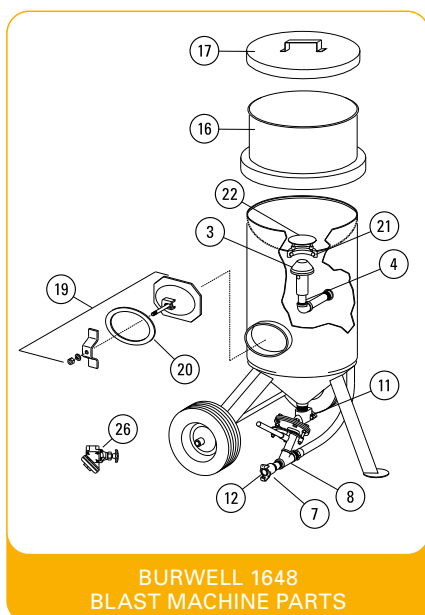
0191-1648-10

DESCRIPTION	PART NUMBER	QTY
165Kg Blast Pot with Screen, Lid, Auto Inlet Valve, Exhaust Valve, Micromiser Abrasive Valve, Deadman Line (20m), Deadman Handle	0191-1648-10	1
1648 Auto Blast Pot complete with listed items below	0191-1648-13	1
32mm x 48mm Blast Hose (20m) *per metre	0502-04303	20
Nozzle Holder, Clemco Nylon	0502-04127	1
Hose Coupling, Clemco Nylon	0502-08413	1
Helmet Hose (20m) (with Ryco fittings)	0601-2027	1
Apollo 600 with Air Control Valve	0702-25191	1
CPF-20 Filter BSP including Regulator	0702-03580	1
1-1/2" Moisture Trap	0303-2683	1
3/8" Bore Venturi Nozzle Rubber Jacket	0802-92026	1

Burwell Abrasive Blast Pots and Spares

Burwell 1648 Blast Machine Parts

NO	DESCRIPTION	PART NUMBER	QTY
* 1	1-1/2" Inlet Valve, Complete	0403-01995	1
2	Flat Abrasive Control Valve	0302-3281	1
2a	Micromiser Valve	0302-6821	1
* 3	Pop Up Valve	0302-8352	1
4	Pop Up Valve Seating Rubber	0404-02325	1
* 5	Pop Up Valve Guide	0304-4835	1
6	Hand Hold Cover, Complete	0304-4838	1
7	Hand Hold Cover Gasket	0304-4839	1
8	Pressure Gauge	0304-1473	1
9	Valve, Ball, 1-1/4" BSP, F and F	0304-8635	1
*10	Choke Valve Assembly	0304-4814	1
	Choke Valve Hose 1-1/4"	0601-0075	Mtr
11	Hose Tail, 1-1/4" x 1-1/4" BSP Old Pot	1206-48636	1
12	2 Bolt Hose Clamp complete with Claw Old Pot	0304-1356	2
13	Wheel, 280 Diameter Rubber	0304-4810	1
*	Screen for 16 Series Blast Machine	0304-0167	1
*	Lid for 16 Series Blast Machine	0304-0165	1
14	Abrasive Trap, Complete	0405-2011	1
15	1" Diaphragm Valve	0405-3371	1
16	Muffler, Complete	0403-05068	1



To ensure your Burwell Blast Machine gives you many years of worry-free operation, insist on Genuine Burwell Parts.

Burwell Abrasive Blast Pots and Spares

2452 with Micromiser / AAV / Clemco Dump



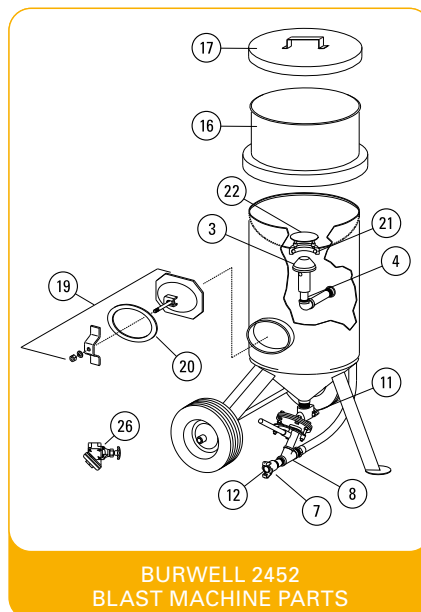
0191-2452-10

DESCRIPTION	PART NUMBER	QTY
370Kg Blast Pot with Screen, Lid, Auto Inlet Valve, Exhaust Valve, Micromiser Abrasive Valve, Deadman Line (20m), Deadman Handle	0191-2452-10	1
2452 Auto Blast Pot complete with listed items below	0191-2452-13	1
32mm x 48mm Blast Hose (20m) *per metre	0502-04303	20
Nozzle Holder, Clemco Nylon	0502-04127	1
Hose Coupling, Clemco Nylon	0502-08413	1
Helmet Hose (20m) (with Ryco fittings)	0701-2027	1
Apollo 600 with Air Control Valve	0702-25191	1
CPF-20 Filter BSP including Regulator	0702-03580	1
1-1/2" Moisture Trap	0303-2683	1
7/16" Bore Venturi Nozzle Rubber Jacket	0402-92027	1

Burwell Abrasive Blast Pots and Spares

Burwell 2452 Blast Machine Parts

NO	DESCRIPTION	PART NUMBER	QTY
*1	1-1/2" Inlet Valve, Complete	0403-01995	1
*2	Flat Abrasive Control Valve	0302-3281	1
2a	Micromiser Valve	0302-6821	1
*3	Pop Up Valve	0302-8352	1
4	Pop Up Valve Seating Rubber	0404-02325	1
*5	Pop Up Valve Guide	0304-5235	1
6	Hand Hold Cover, Complete	0304-4838	1
7	Hand Hold Cover Gasket	0304-4839	1
8	Pressure Gauge	0304-1473	1
9	Valve, Ball, 1-1/4" BSP, F and F	0304-8635	1
10	Choke Valve Hose 1-1/4"	0304-4814	Mtr
11	Hose Tail, 1-1/4" x 1-1/4" BSP	1206-48636	1
12	2 Bolt Hose Clamp complete with Claw	0304-1356	2
13	Wheel, 280 Diameter Rubber	0304-4810	1
-	Screen for 24 Series Blast Machine	0304-0247	1
-	Lid for 24 Series Blast Machine	0304-0245	1
14	Abrasive Trap, Complete	0405-02011	1
15	1" Diaphragm Valve	0405-3371	1
16	Muffler, Complete	0403-05068	1
16	Muffler, Complete	0403-05068	1



Burwell Abrasive Blast Pots and Spares

2460DCSO with Micromiser TLR300 / MCP



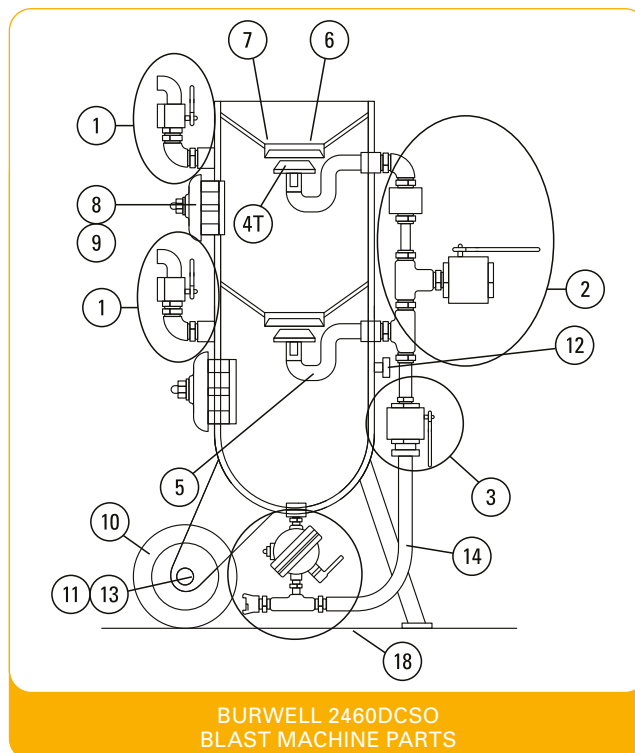
0122-246021-10

DESCRIPTION	PART NUMBER	QTY
355Kg Blast Pot with Screen, Lid, Auto Inlet Valve, Exhaust Valve, Micromiser Abrasive Valve, Deadman Line (20m), Deadman Handle	0122-246021-10	1
2460 Double Chamber Single Outlet Auto Blast Pot complete with listed items below	0122-246021-13	1
32mm x 48mm Blast Hose (20m) *per metre	0502-04303	20
Nozzle Holder, Clemco Nylon	0502-04127	1
Hose Coupling, Clemco Nylon	0502-08413	1
Helmet Hose (20m) (with Ryco fittings)	0701-2027	1
Apollo 600 with Air Control Valve	0702-25191	1
CPF-20 Filter BSP including Regulator	0702-03580	1
1-1/2" Moisture Trap	0303-2683	1
7/16" Bore Venturi Nozzle Rubber Jacket	0402-92027	1

Burwell Abrasive Blast Pots and Spares

Burwell 2460DCSO Blast Machine Parts

NO	DESCRIPTION	PART NUMBER	QTY
*1	Manual Dump Valve Assembly, Complete	0302-4861	2
*2	Micromiser Abrasive Valve	0302-6821	1
*3	Choke Valve Assembly, Complete	0302-6073	1
*4	Pop Up Valve	0304-6048	2
*5	Internal Piping	0305-0068	2
6	Pop Up Valve Seating Rubber	0404-02325	2
7	Seating Ring	0304-4837	2
8	Hand Hole Cover, Complete	0304-4838	2
9	Hand Hole Cover Gasket	0304-4839	2
10	Wheel, 280 Diameter Rubber	0304-4810	Ea
*11	Axle Assembly (Comprises Axle, Nyloc Nuts)	0304-4811	1
12	Pressure Gauge	0304-1473	1
13	Nyloc Nut	0304-4812	2
-	Choke Valve Hose 1-1/4"	0601-0075	Mtr
-	Hose Tail, 1-1/4" x 1-1/4" BSP	0601-2146	1
-	2 Bolt Hose Clamp complete with Claw	3016-1140	2



Burwell Abrasive Blast Pots and Spares

2460DCDO T2 / 1-1/2" Electric



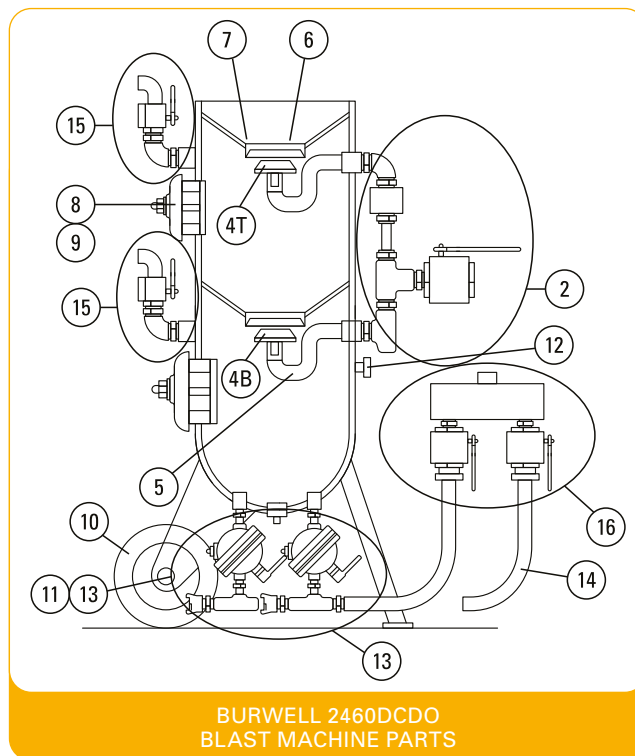
0152-246022-40

DESCRIPTION	PART NUMBER	QTY
355Kg Blast Pot with Screen, Lid, Auto Inlet Valve, Exhaust Valve, Electric Deadman and 25m Cable	0152-246022-40	1
2460 Double Chamber Double Outlet Auto Blast Pot complete with listed items below	0152-246022-43	1
32mm x 48mm Blast Hose (20m) x 2 per metre	0502-04303	40
Nozzle Holder, Clemco Nylon	0502-04127	2
Hose Coupling, Clemco Nylon	0502-08413	2
Helmet Hose (20m) (with Ryco fittings)	0701-2027	2
Apollo 600 with Air Control Valve	0702-25191	1
CPF-20 Filter BSP including Regulator	0702-03580	1
2-1/2" BSP Thread with 40 Micron Element Trap	0303-2684	1
7/16" Bore Venturi Nozzle Rubber Jacket	0402-92027	2

Burwell Abrasive Blast Pots and Spares

Burwell 2460DCDO Blast Machine Parts

NO	DESCRIPTION	PART NUMBER	QTY
*1	Manual Dump Valve Assembly, Complete	0302-4861	1
*3	Choke Valve Assembly, Complete	0302-6073	2
*4	Pop Up Valve	0304-6048	2
6	Pop Up Valve Seating Rubber	0404-02325	2
7	Seating Ring	0304-4837	2
8	Hand Hole Cover, Complete	0304-4838	2
9	Hand Hole Cover Gasket	0304-4839	2
10	Wheel, 280 Diameter Rubber	0304-4810	1
12	Pressure Gauge	0304-1473	1
13	Nyloc Nut	0304-4812	2
-	Choke Valve Hose 1-1/4"	0304-4814	2
-	Choke Valve Hose 1-1/2"	0601-1858	1.4m
*18	Thompson II 1-1/2" Abrasive Valve	0302-2008	2
-	2 Bolt Hose Clamp complete with Claw	0601-1600	4





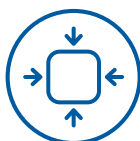
Size really does matter when it comes to working with a Burwell Blast Machine

The latest versions of our industry-leading 2449 and 1642 Blast Machines feature a significantly lower profile (300mm lower) so loading and moving the blast pot around the work site are virtually effortless.

Packed with features such as Australian Made, high quality parts – Burwell Blast Machines are the perfect choice when it comes to making a difficult job so much easier!



Proudly Australian Made



All-New Compact Design



Easy-Load Deadman



Much Easier to Load



Increased Portability



Top-Quality Parts



300mm Shorter

Conveniently located across Australia

Find your nearest branch by calling 1300 287 935 or visit us at burwell.com.au

Burwell Abrasive Blast Pots and Spares

Fat Boy



DESCRIPTION	PART NUMBER	QTY
Fat Boy 450Kg Capacity, Constant Pressure, Thompson II, Electric, Twin Outlet	0152-364412-40	1
Fat Boy 1 Tonne Capacity, Clemco Dump, Micromiser, Pneumatic, Single Outlet	0191-364511-10	1
Fat Boy 1 Tonne Capacity, Constant Pressure, Thompson II, Pneumatic, Single Outlet	0151-364511-30	1
Fat Boy 1 Tonne Capacity, Clemco Dump, Thompson II, Pneumatic, Single Outlet	0111-364511-30	1
Fat Boy 1 Tonne Capacity, Constant Pressure, Thompson II, Pneumatic, Twin Outlet	0151-364512-40	1
Fat Boy 1 Tonne Capacity, Constant Pressure, Thompson II, Electric, Twin Outlet	0152-364512-40	1



This low height, high capacity, easy loading blast machine is fitted with forklift slots for safety and convenience as standard.

Moisture Traps and Parts

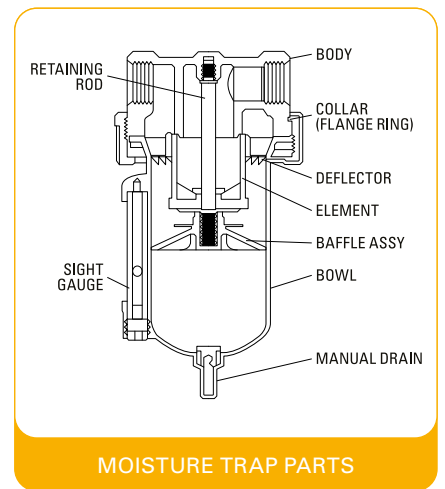
Moisture Trap

DESCRIPTION	PART NUMBER	QTY
1/2" BSP Thread with 40 Micron Element Trap (suits 12" Machines)	0303-2681	1
1" BSP Thread with 40 Micron Element Trap (suits 16" Machines)	0303-2682	1
1-1/2" BSP Thread with 40 Micron Element Trap (suits 24" Machines)	0303-2683	1
2-1/2" BSP Thread with 40 Micron Element Trap	0303-2684	1



Moisture Trap Parts

DESCRIPTION	PART NUMBER	QTY
Sight Glass Kit to suit 1" Moisture Trap	0303-1258	1
Bowl to suit BMT-1	0303-6811	1
Bowl to suit BMT 2-3	0303-6812	1
Filter Element to suit BMT-1	0303-2227	1
Filter Element to suit BMT-2	0303-6814	1
Filter Element to suit BMT-3	0303-9650	1
Filter Element to suit BMT-4	0303-6817	1



Burwell Water Separator

Water Separator

DESCRIPTION	PART NUMBER	QTY
Burwell Water Separator	0303-1097	1



Burwell Air Receiver

Air Receiver

DESCRIPTION	PART NUMBER	QTY
Burwell Air Receiver, 1100Kpa (159psi)	0501-2303	1



0501-2303

Pressure Regulators and Parts

Pressure Regulators and Parts - Metal Works

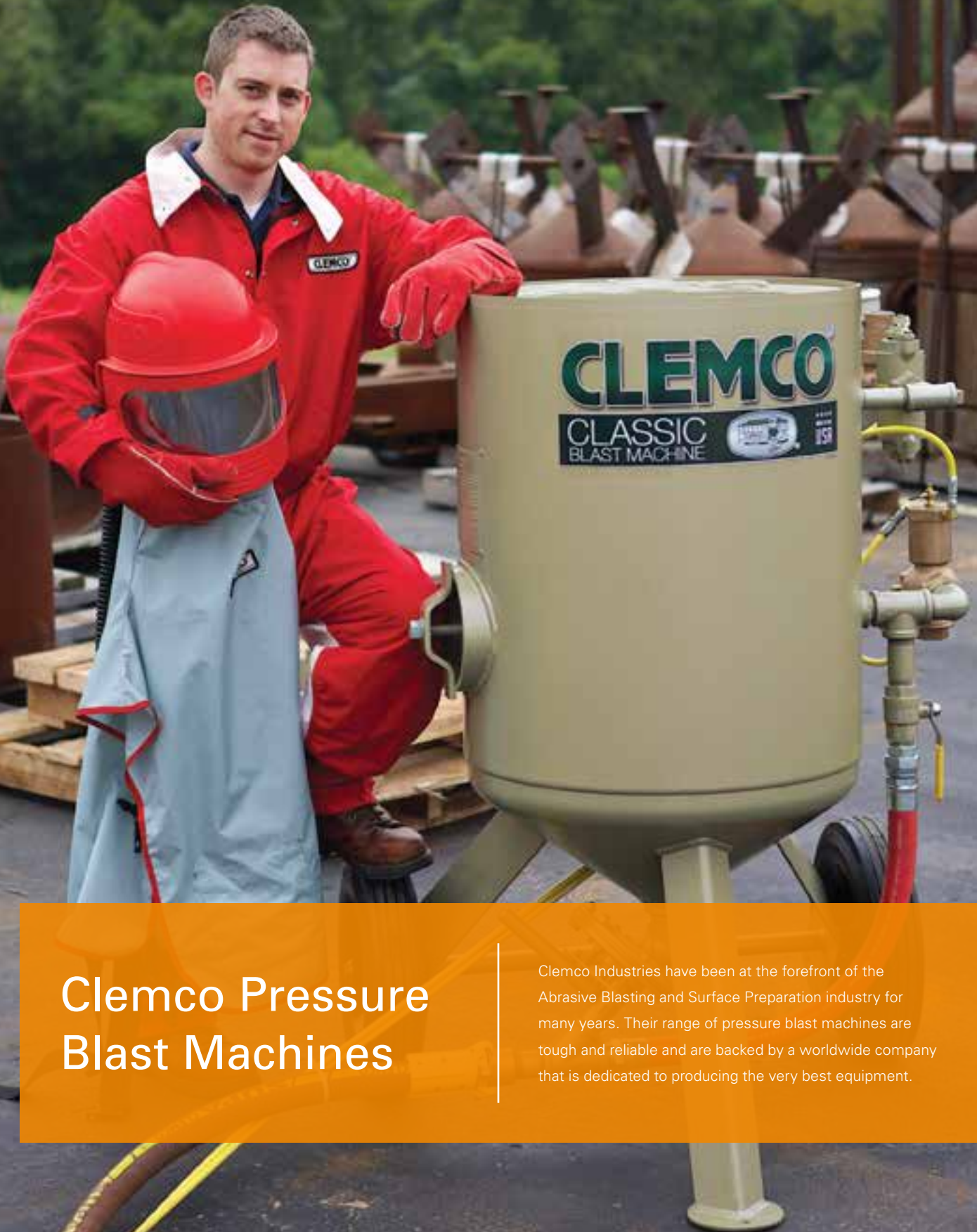
DESCRIPTION	PART NUMBER	QTY
1/4" Regulator including Gauge	2404-6340	1
1/2" Regulator including Gauge	1206-2618	1
1" Regulator including Gauge	0304-1739	1
1-1/2" Regulator including Gauge	0601-1181	1
Pressure Gauge (Rear Entry)	0304-1473	1
Pressure Gauge (Bottom Entry)	1603-0754	1



2404-6340

Notes

A series of horizontal dashed lines for taking notes.



Clemco Pressure Blast Machines

Clemco Industries have been at the forefront of the Abrasive Blasting and Surface Preparation industry for many years. Their range of pressure blast machines are tough and reliable and are backed by a worldwide company that is dedicated to producing the very best equipment.

Clemco Pressure Blast Machines



0202-21051

Classic 1028 0.5 cu ft

Page
2.2



0202-23769

Classic 2452 6 cu ft

Page
2.4



0202-21546

Contractor 6 cu ft

Page
2.6

2

CONTENTS

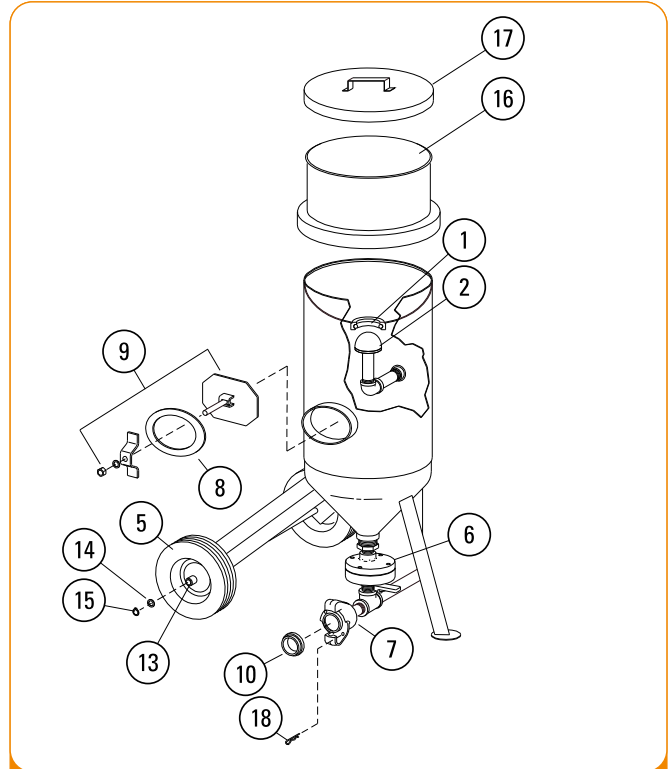
Classic 1028 0.5 cu ft.....	2.2	Contractor 4 cu ft.....	2.6
Classic 1648 3 cu ft.....	2.3	Contractor 6 cu ft.....	2.7
Classic 2452 6 cu ft.....	2.4		

Clemco Abrasive Blast Pots

Classic 1028 0.5 cu ft



0202-21051



CLASSIC 1028 BREAKDOWN

NO	DESCRIPTION	PART NUMBER	QTY
-	Clemco 1028 Blast Machine complete with TLR 50 and Small Abrasive Valve	0202-21051	1
1	Seating Rubber	0404-01245	1
2	Pop Up Valve	0404-01242	1
6	MSV Sand Valve	0403-01247	1
7	1/2" Aluminium Pot Coupling	0502-00558	1
8	Inspection Gasket	0404-01249	1
16	Screen	0404-03362	1
17	Lid	0404-03107	1



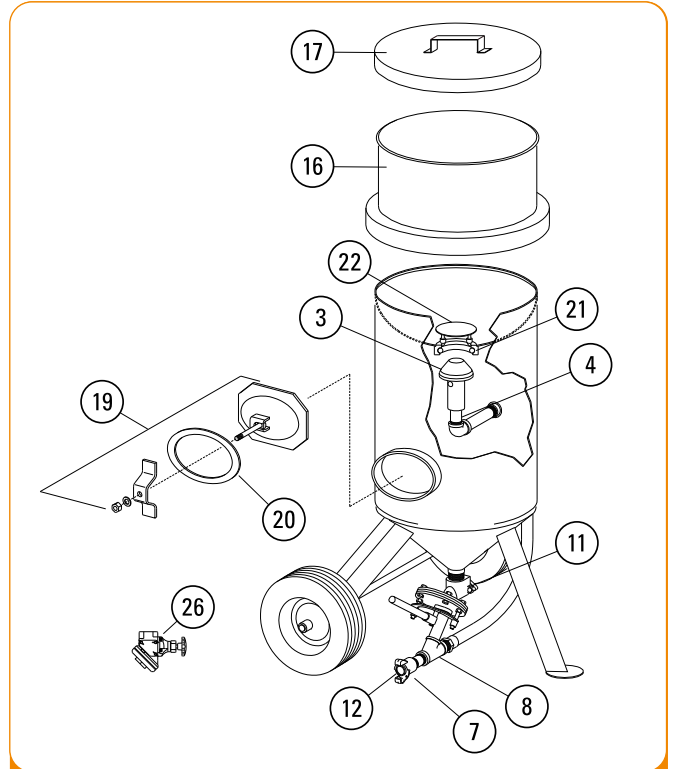
To ensure a long life for your Pressure Blast Machine, insist on Authentic Clemco Parts and Accessories.

Clemco Abrasive Blast Pots

Classic 1648 3 cu ft



0202-23767



CLASSIC 1648 BREAKDOWN

2

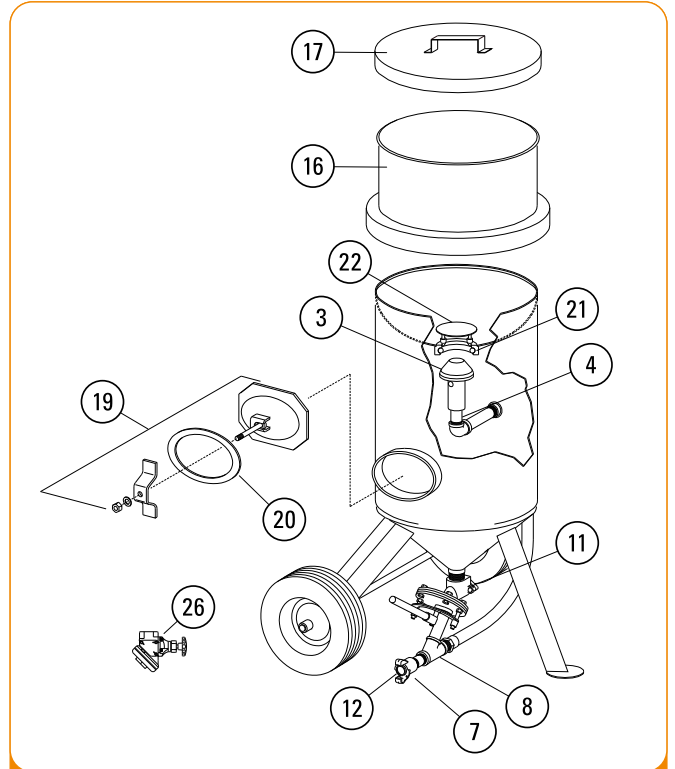
NO	DESCRIPTION	PART NUMBER	QTY
-	Clemco 1648 Blast Machine complete with TLR 300 and Quantum Abrasive Valve	0202-23767	1
3	Pop Up Valve	0404-03699	1
16	16" Screen	0404-03099	1
17	16" Lid	0404-02335	1
20	Inspection Cover Gasket	0404-02369	1
21	Seating Ring with 1/4" Lip	0404-99157	1

Clemco Abrasive Blast Pots

Classic 2452 6 cu ft



0202-23769



CLASSIC 2452 BREAKDOWN

NO	DESCRIPTION	PART NUMBER	QTY
-	Clemco 2452 Blast Machine complete with TLR 300 and Quantum Abrasive Valve	0202-23769	1
3	Pop Up Valve	0404-03699	1
16	24" Screen	0404-03100	1
17	24" Lid	0404-02336	1
20	Inspection Cover Gasket	0404-02369	1
21	Seating Ring	0404-02325	1



The CLEMCO Classic Series Blast Machines - simple, rugged, reliable

Clemco Classic Blast Machine Models range in size from 0.5 cuft to 20 cuft, and come as the blast machine only or with a complete blast machine system.

A complete Clemco Blast Machine system includes the blast machine, remote controls, a nozzle, couplings, blast hose, an Apollo Supplied-Air Respirator, an air filter, and spare parts - easy to install for quick maintenance.



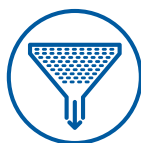
The Clemco Complete System Accessories



Built to ASME Standards



Concave Head Easy Loading



Conical Base Smooth Flow



Large Inspection Door



Wear-Resistant Pop-Up Valve



Forged Brass Ball Valve



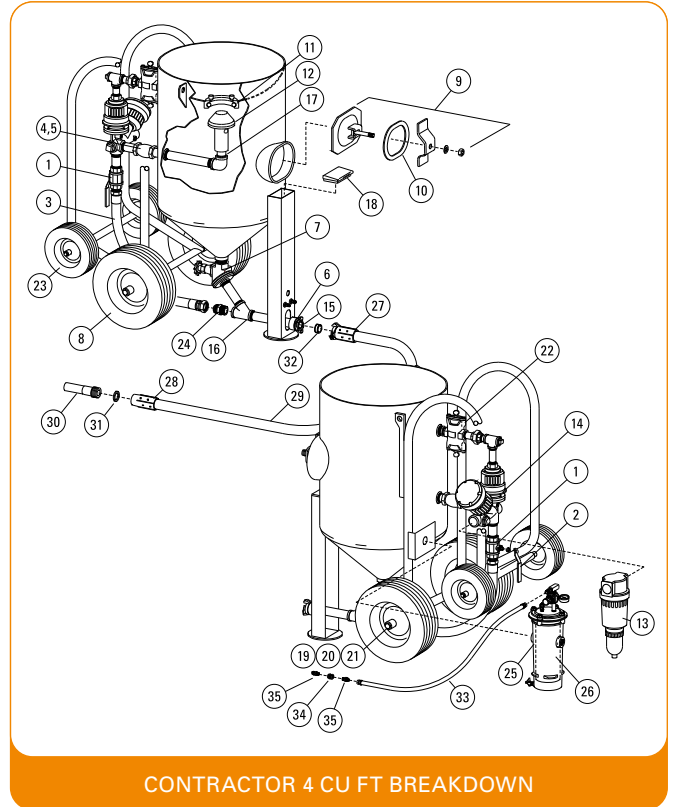
Self-Cleaning Muffler

Clemco Abrasive Blast Pots

Contractor 4 cu ft



0202-21545



CONTRACTOR 4 CU FT BREAKDOWN

NO	DESCRIPTION	PART NUMBER	QTY
-	Clemco 4 cu ft Contractor Machine including Millennium, Remote, Control, Quantum Valve, CPF20 Air Filter with Regulator, Screen and Lid	0202-21545	1
-	Screen 20"	0404-20357	1
-	Lid 20"	0404-20358	1
-	RLX Pneumatic Handle	0402-10565	1
12	Pop-Up Valve	0404-03699	1
11	Pop-Up Valve Seating Rubber	0404-02325	1
9	Inspection Cover Assembly	0404-02377	1
10	Inspection Cover Gasket	0404-02369	1
23	10" Wheel	0404-20349	1
14	Millennium Valve	0403-21336	1
4	Compression Coupling 1-1/4"	0404-01857	1
5	Compression Coupling Gasket 1-1/4"	0404-01886	1
22	Abrasive Trap	0405-02011	1

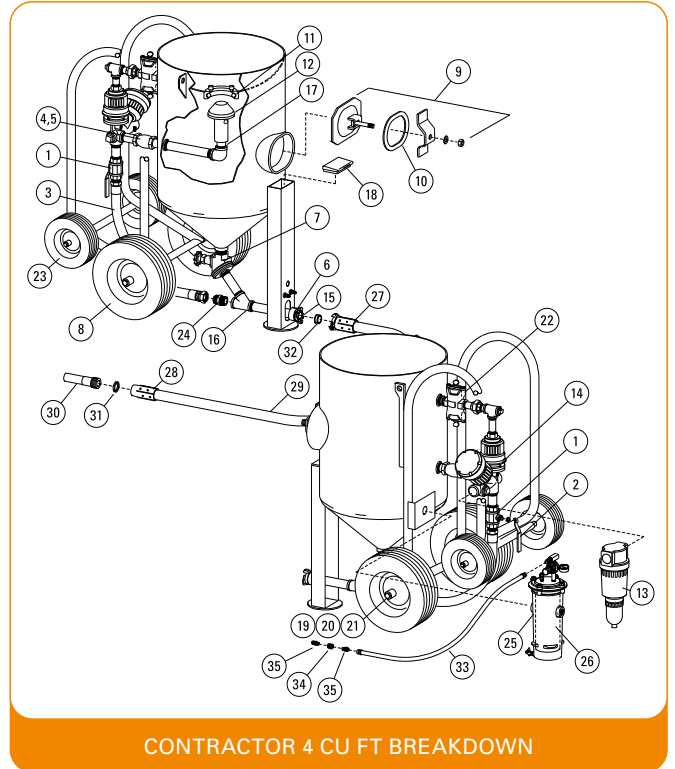
NOTE: Screen and Lid Separate Items

Clemco Abrasive Blast Pots

Contractor 6 cu ft



0202-21545



CONTRACTOR 4 CU FT BREAKDOWN

NO	DESCRIPTION	PART NUMBER	QTY
-	Clemco 6 cu ft Contractor Machine including Millennium, Remote, Control, Quantum Valve, CPF20 Air Filter with Regulator, Screen and Lid	0202-21546	1
-	Screen 24"	0404-03100	1
-	Lid 24"	0404-02336	1
-	RLX Pneumatic Handle	0402-10565	1
12	Pop-Up Valve	0404-03699	1
11	Pop-Up Valve Seating Rubber	0404-02325	1
9	Inspection Cover Assembly	0404-02377	1
10	Inspection Cover Gasket	0404-02369	1
23	10" Wheel	0404-20349	1
8	16" Wheel	0404-20427	1
14	Millennium Valve	0403-21336	1
7	Quantum Valve	0403-22845	1
4	Compression Coupling	0404-01857	1
5	Compression Coupling Gasket	0404-01886	1
22	Abrasive Trap	0405-02011	1

NOTE: Screen and Lid Separate Items



3

Abrasive Metering Valves

To ensure you get the very best out of your Blast Machine, there is an Abrasive Metering Valve to suit you. The correct regulation of Abrasive to your Blast Machine ensures minimal wear and maximum effectiveness.

Abrasive Metering Valves

 <p>0302-7107</p> <p>MV2</p> <p>Page 3.2</p>	 <p>0302-2007</p> <p>Thompson II</p> <p>Page 3.4</p>	 <p>0302-2300</p> <p>Combo Valve</p> <p>Page 3.10</p>
 <p>0403-01995</p> <p>Clemco 1" Outlet Valve</p> <p>Page 3.15</p>	 <p>0302-2282</p> <p>AAV 1-1/4" and AAV 1-1/2"</p> <p>Page 3.19</p>	 <p>0405-02011</p> <p>Clemco Abrasive Trap</p> <p>Page 3.23</p>

CONTENTS

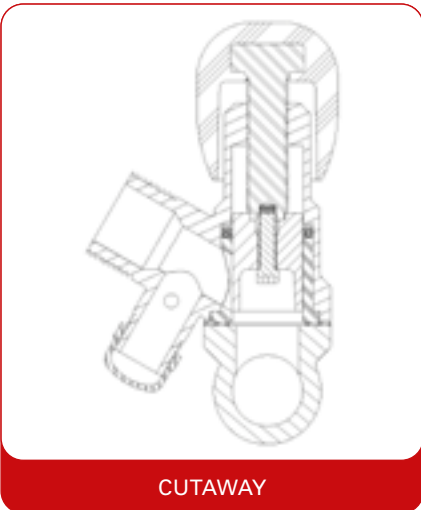
MV2.....	3.2	Clemco 1/2" Outlet Valve.....	3.15
Thompson I/ Gritmaster	3.3	Clemco 1" Outlet Valve	3.16
Thompson II.....	3.4	Clemco 1" Diaphragm Outlet.....	3.17
Thompson II (continued)	3.5	Clemco Millennium.....	3.18
MPC 210	3.6	Clemco Millennium (continued).....	3.19
Clemco Quantum.....	3.8	AAV 1-1/4" and AAV 1-1/2".....	3.20
Clemco Quantum with ACS.....	3.9	AAV 1"	3.21
Clemco MSV.....	3.10	Burwell Dump Valve - Small	3.22
Combo Valve.....	3.11	Burwell Dump Valve - Large.....	3.24
Clemco 1/2" Inlet Valve.....	3.12	Clemco Abrasive Trap.....	3.25
Clemco 1" Inlet Valve	3.13	Clemco Muffler.....	3.26
Clemco 1-1/2" Inlet Valve.....	3.14	Burwell Silencer.....	3.27

Abrasive Metering Valves

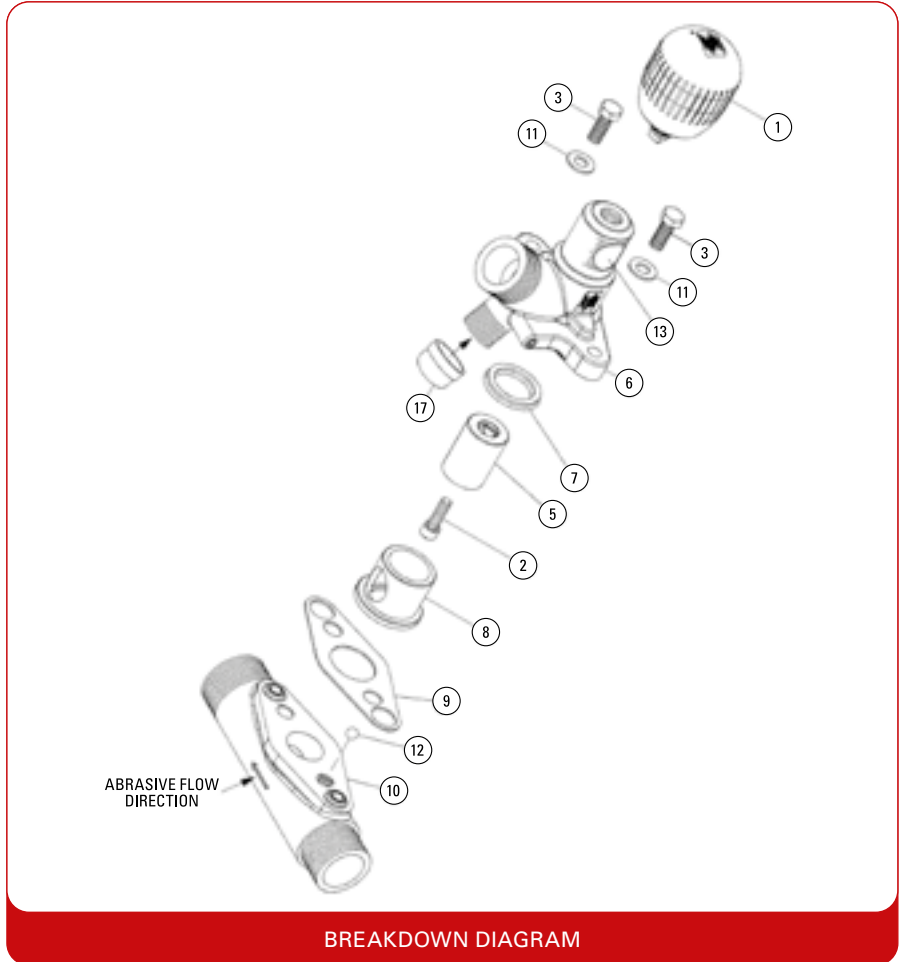
MV2



0302-7107



CUTAWAY



BREAKDOWN DIAGRAM

NO	DESCRIPTION	PART NUMBER	QTY
-	Valve Assembly 1-1/4"	0302-7107	1
-	Valve Assembly 1-1/2"	0302-7108	1
-	Parts Kit, Seals Only (denoted by *)	-	1
-	Parts Kit (denoted by +)	0305-1009	1
6	Body	0305-0006	1
9	Gasket	-	1
10	Base, 1-1/4"	0305-0710	1
10	Base, 1-1/2"	-	1
<i>Parts Kit, seals only includes items, 2, 5, 7, 8, 9, 12.</i>			
<i>Parts Kit, includes items, 7, 8, 9 and 12 only.</i>			

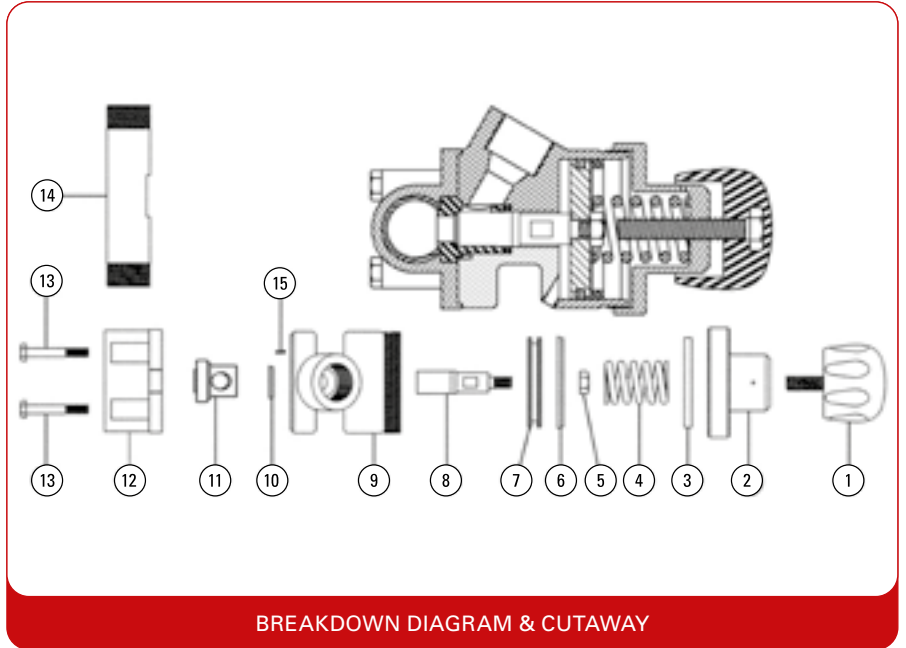
3

Abrasive Metering Valves

Thompson I / Gritmaster



0302-8145



BREAKDOWN DIAGRAM & CUTAWAY

NO	DESCRIPTION	PART NUMBER	QTY
-	Gritmaster Abrasive Valve with Tungsten Carbide Sleeve 1-1/4" x 1-1/4"	0302-8145	1
1	Knob	0305-8001	1
2	Cap	0305-8002	1
3	Bump Ring	0305-8003	1
4	Spring	0305-8005	1
6	Piston Seal*	0305-8007	1
7	Piston*	0305-8008	1
8	Tungsten Carbide Plunger*	0305-8009	1
9	Cylinder	0305-8010	1
10	Plunger Seal*	0305-8014	1
11	Urethane Sleeve	0305-8011	1
12	Base	0305-8012	1
13	Bolt	0305-8013	1
14	Pipe Nipple 1-1/4" x 1-1/4"	0305-8031	1
15	O-Ring*	0305-0015	1
16	Insert*	0305-8017	1
17	Seat*	0305-8018	1
18	Tungsten Carbide Sleeve*	0305-8016	1
*	Repair Kit Gritmaster	0305-8080	1

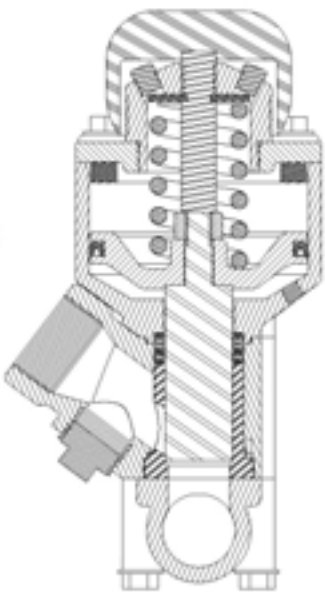
Abrasive Metering Valves

Thompson II

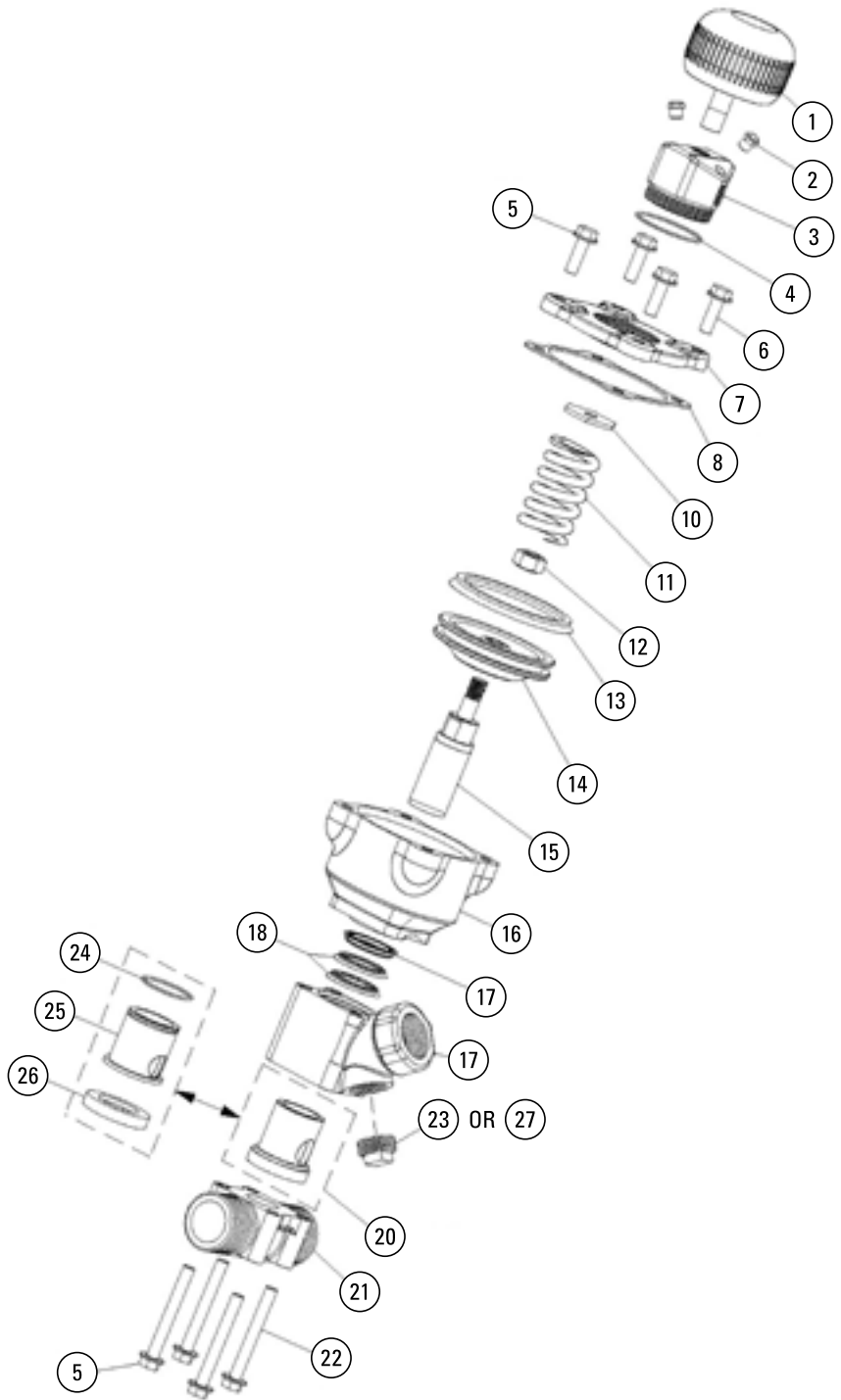
MULTIPLE
OUTLET USE



0302-2007



CUTAWAY



BREAKDOWN DIAGRAM

3

Abrasive Metering Valves
Thompson II (continued)

NO	DESCRIPTION	PART NUMBER	QTY
-	Thompson Valve II 1-1/4" complete with Tungsten Carbide Sleeve	0302-2007	1
1	Knob	0305-5201	1
3	Spring Retainer	0305-5212	1
4	O-Ring	0305-5218	1
5	Washer	0302-0302	1
7	Cap Plate	-	1
8	Cap Gasket	0305-5216	1
9	Bump Ring	-	1
10	Vibration Disc	0305-5225	1
11	Spring	0305-5203	1
13	Piston Seal	0305-4904	1
14	Piston	0305-5205	1
15	Tungsten Carbide Plunger	0305-5207	1
16	Cylinder	0305-5209	1
17	Plunger Seal (Polythene)	0305-4956	1
18	Plunger Seal (Urethane)	0305-5206	1
19	Body	0305-5214	1
20	Urethane Sleeve	0305-52113	1
21a	Base 1-1/2" (note: this is NPT Thread)	0305-5211	1
21b	Base 1-1/4" (note: this is NPT Thread)	0305-5215	1
22	Hex Bolt 3/8" x 4-3/8"	0302-0795	1
23	Plug	0305-4506	1
24	O-Ring	0305-5221	1
25	Tungsten Sleeve	0305-5213	1
26	Seat	0305-5210	1
27a	Repair Kit, Tungsten includes Tungsten Carbide Sleeve, O-Rings, Piston Seal, Tungsten Carbide Plunger, Plunger Seals, Seat, Cap Gasket	0305-0099	1
28a	Seals Kit, Tungsten includes O-Rings, Piston Seal, Plunger Seals, Seat and Cap Gasket	0305-5298	1



The Thompson II shuts off abrasive flow to the nozzle and seals the tank at the same instant.

Abrasive Metering Valves

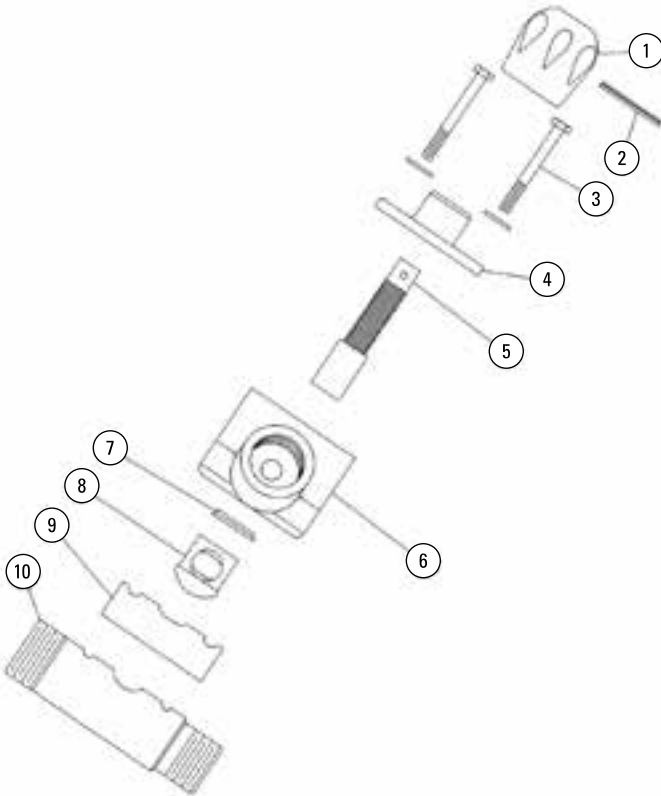
MPC 210



0302-6821



CUTAWAY



BREAKDOWN DIAGRAM

NO	DESCRIPTION	PART NUMBER	QTY
-	Micromiser Abrasive Valve 1-1/4" x 1-1/4"	0302-6821	1
1	Knob	0305-6801	1
2	Roll Pin	0305-6802	1
3	Bolt and Washer	0305-6803	1
4	Cap	0305-6804	1
5	Plunger*	0305-6805	1
6	Body	0305-6806	1
7	Plunger Seal*	0305-6807	1
8	Urethane Sleeve*	0305-6808	1
9	Gasket*	0305-6809	1
10	Pipe Nipple 1-1/4" x 1-1/4"	0305-6821	1
10	Pipe Nipple 1-1/4" x 1-1/2"	0305-0217	1
*	Repair Kit	0305-6899	1



FSV Valve

AQV Valve

MSV Valve

MQV Valve

LPV Valve

CLEMCO[®]
INDUSTRIES CORP.

Achieve precise abrasive metering with a CLEMCO Metering Valve

One of the most important components of a blast machine is its abrasive metering valve. The correct valve for your application will promote efficient blasting and reduce maintenance requirements on the machine.

The Manual Quantum, Auto Quantum, and FSV Valves feed abrasive into the air stream at a 45° angle - eliminates turbulence, minimizes wear on fittings, and ensures smooth, consistent flow.

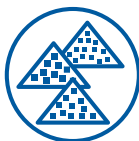
**ENSURES
SMOOTH &
CONSISTENT
MEDIA FLOW**



Promotes Efficiency



Reduced Maintenance



Suits Multiple Abrasives



Simple to Service



Tough Aluminium Body



Simple to Install



Fulfills OSHA Requirements

Conveniently located
across Australia

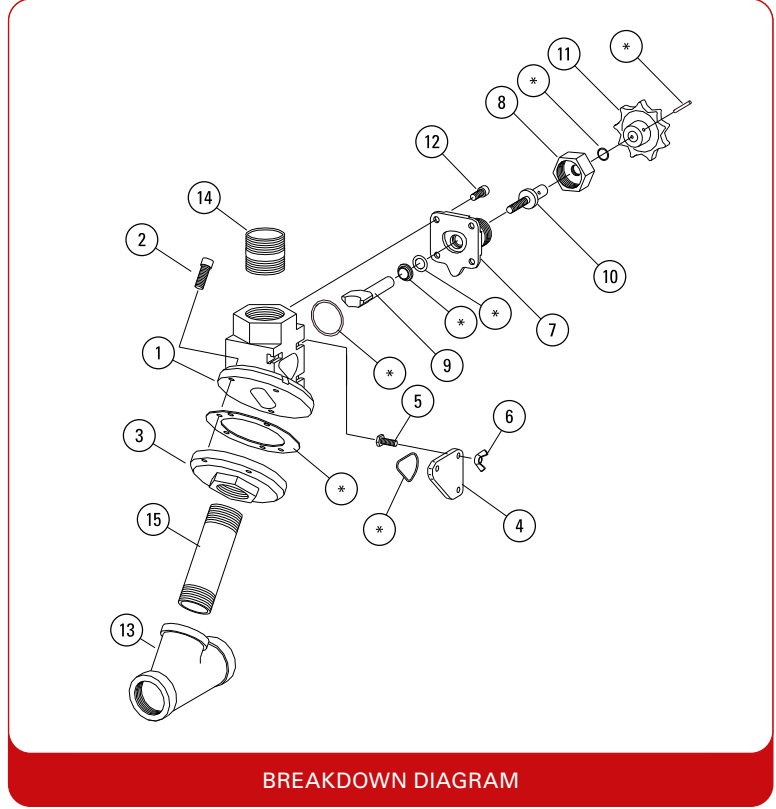
Find your nearest branch by calling
1300 287 935 or visit us at burwell.com.au

Abrasive Metering Valves

Clemco Quantum



0403-22845

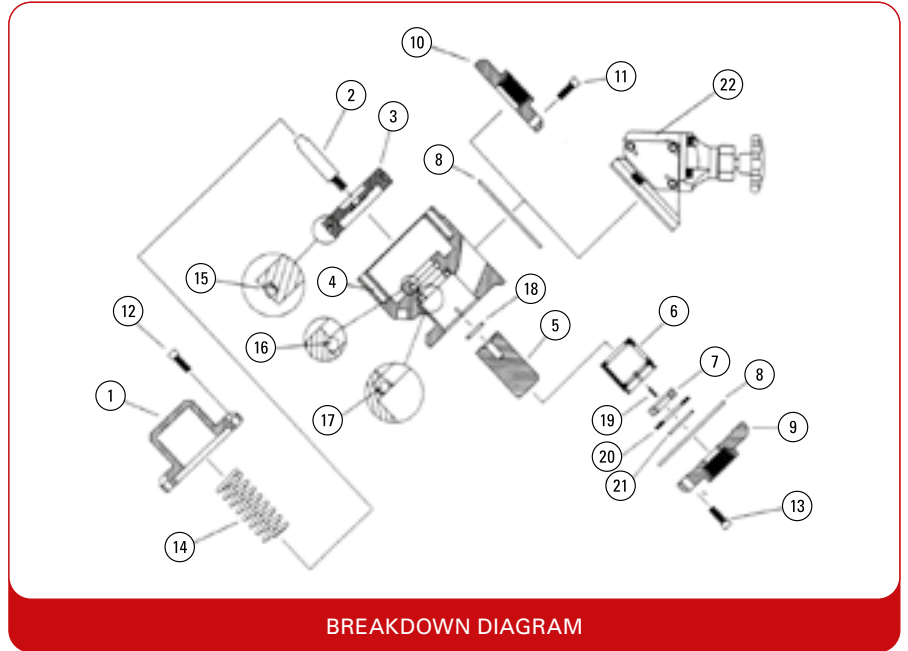


BREAKDOWN DIAGRAM

NO	DESCRIPTION	PART NUMBER	QTY
-	Manual Quantum Metering Valve, Complete	0403-22845	1
*	Service Kit Quantum-K Metering Segment	0405-22854	1
1	Adaptor Flange with Insert	0405-21314	1
2	Screw 3/8"-NC x 1" Socket Head	0405-22655	1
3	Lower Body	0405-22621	1
4	Inspection Plate	0405-22620	1
6	Wing Nut, 1/4-NC	0405-03113	1
7	Housing, Knob	0405-22761	1
8	Nut, Knob Housing	0805-2762	1
9	Metering Plate and Shaft	0405-22763	1
10	Metering Screw	0405-22764	1
11	Knob, Adjustment	0405-22766	1
12	Screw, 5/16"-NC x 3/4" Socket Head	0405-22767	1
13	Y-Piece	0404-01818	1
15	Nipple, 1-1/4" x 5"	0405-01860	1

Abrasive Metering Valves

Clemco Quantum with ACS



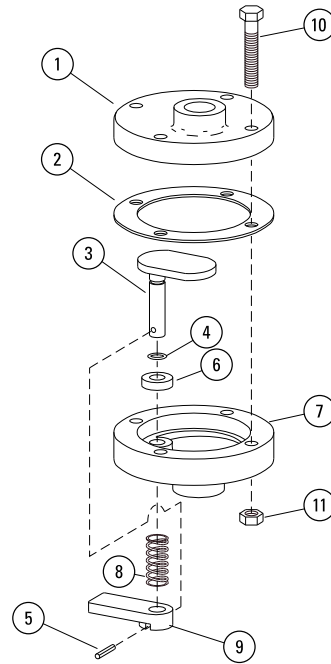
NO	DESCRIPTION	PART NUMBER	QTY
-	Quantum Valve complete with ACS	0403-22760	1
-	Quantum Abrasive Metering Valve, Complete	0403-22845	1
1	Cylinder Collar NS		1
2	Piston Stop NS		1
3	Piston NS		1
4	Grit Valve Body	0405-21349	1
5	Grit Valve Plunger NS	0405-21326	1
6	Grit Valve Wear Sleeve NS		1
8	Flange Gasket	0405-21322	1
9	Grit Valve Flange	0403-21349	1
11	Screw 3/8" x 1" NC	0405-22655	1
12	Screw 5/16" x 1-3/4" NC	0405-21321	1
13	Screw 5/16" x 1" NC	0405-21318	1
14	Spring	0405-20600	1
15	U-Seal	0405-22606	1
16	Grit Valve O-Ring	0405-21312	1
17	Grit Valve Plunger Wiper	0405-21315	1
18	O-Ring	0405-22609	1
19	Roll Pin 1/8" x 1/2"	0405-21164	1

Abrasive Metering Valves

Clemco MSV



0403-01247



BREAKDOWN DIAGRAM

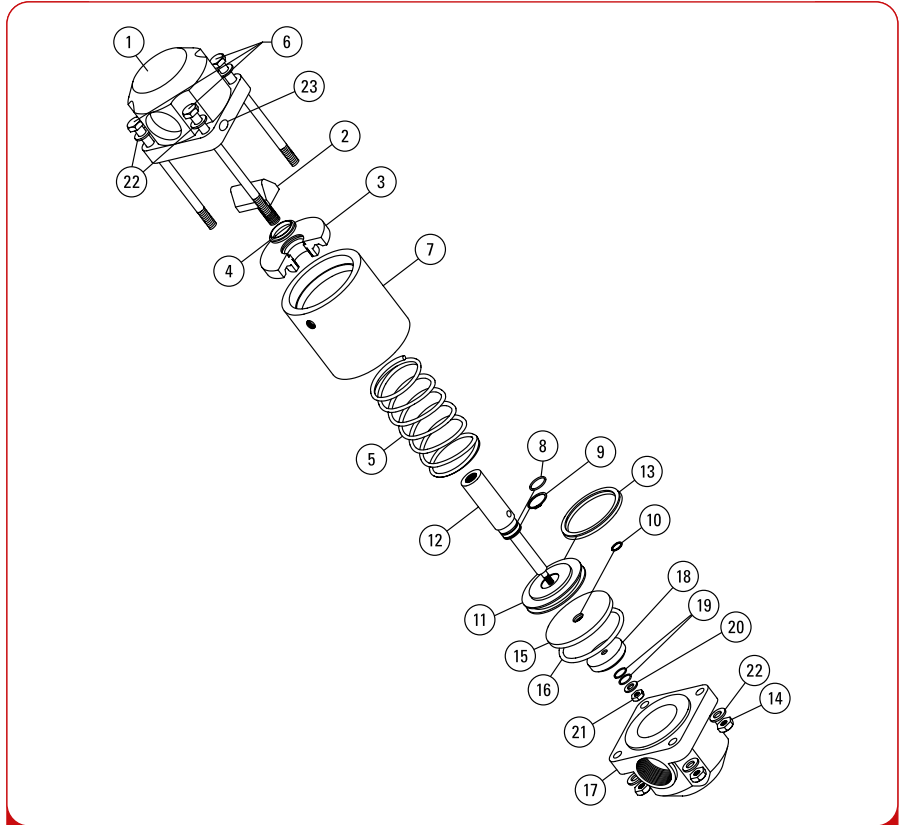
NO	DESCRIPTION	PART NUMBER	QTY
*	MSV 1/2" Abrasive Control Valve	0403-01247	1
*	Nipple, B/S 1" x 1/2" BSP Reducing	0305-2808	1
*	Coupling, Pot Aluminium 1/2" CFA-1/2	0502-00558	1
*	Nipple, B/S 1/2" BSP	0305-1809	2
*	Tee, 3000lb 1/2" BSP	0305-1815	1
*	Hose Tail, 1/2" x 1/2" BSP Male	0601-30206	1
*	Pin, Locking Safety	0503-1319	1
1	Top Casting	0405-01258	1
2	Valve Body Gasket	0405-01260	1
3	Metering Plate and Stem	0405-01261	1
4	O-Ring, Neoprene NS	-	1
5	Spring Pin NS	-	1
6	Washer, Nylon	0405-01266	1
7	Bottom Casting	0405-01259	1
8	Spring Pin	0405-02178	1
9	Handle NS	-	1

Control Valves Inlet / Exhaust

Combo Valve



0302-2300



BREAKDOWN DIAGRAM

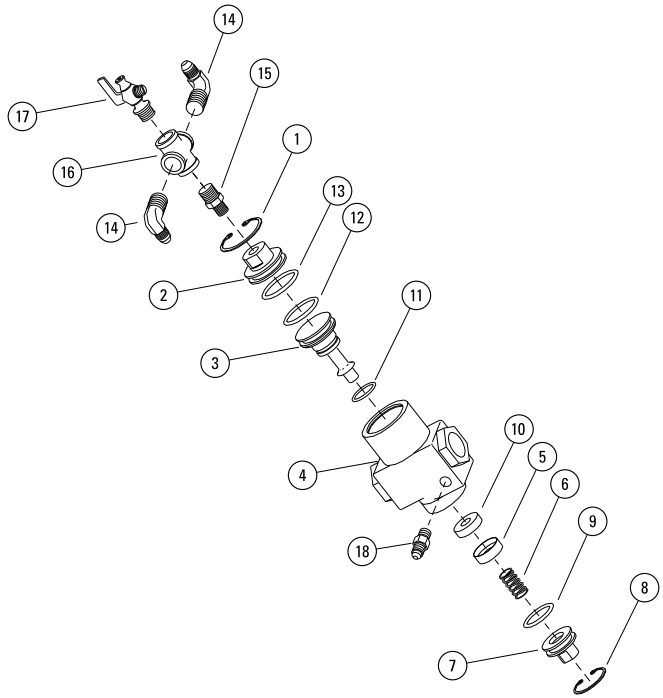
NO	DESCRIPTION	PART NUMBER	QTY
-	Combo Valve, Complete	0302-2300	1
*	Combo Valve Repair Kit	0305-2399	1
1	Cap	0305-2301	1
2	Pinch Ram	0305-2302	1
3	Upper Rod Guide	0305-2303	1
5	Spring	0305-2305	1
7	Cylinder	0305-2307	1
11	Piston	0305-2311	1
12	Shaft	0305-2312	1
15	Lower Rod Guide	0305-2315	1
17	Base	0305-2317	1
18	Valve Blue Assembly*	0305-2318	1

Control Valves Inlet / Exhaust

Clemco 1/2" Inlet Valve



0403-02164



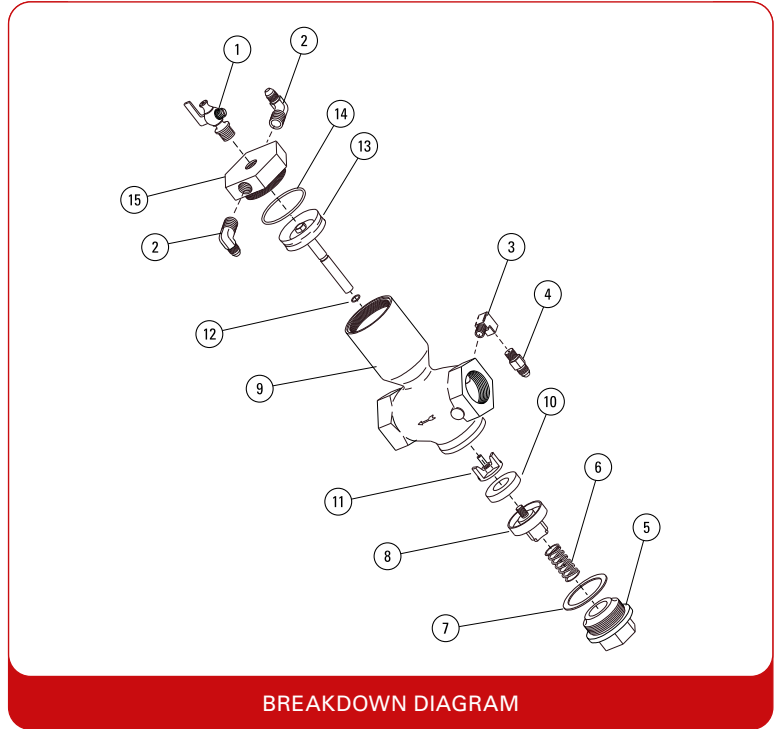
BREAKDOWN DIAGRAM

NO	DESCRIPTION	PART NUMBER	QTY
-	1/2" Inlet Valve, Complete	0403-02164	1
1	Cap Retaining Ring	0405-02181	1
2	1/2" Cap	0405-02175	1
3	1/2" Inlet Piston	0405-02192	1
4	1/2" Inlet Body	0405-02170	1
5	1/2" Inlet Retainer	0405-02177	1
6	Spring, 17/32" OD x 1" Long	0405-02178	1
8	Plug Retaining Ring	0405-02180	1
9	O-Ring 7/8" ID x 1/8"	0405-02184	1
10	1/2" Washer	0405-02179	1
11	O-Ring 3/4" ID x 3/32"	0405-08975	1
12	O-Ring 1-1/8" ID x 1/8"	0405-01097	1
13	O-Ring 1-3/16" ID x 1/8"	0405-02182	1
14	1/4" x 1/4" Elbow Adaptor	0405-02513	1
17	1/4" Petcock (Safety)	0405-01993	1
18	1/8" NPT Adapter with 1/16" Orifice	0405-01945	1

3

Control Valves Inlet / Exhaust

Clemco 1" Inlet Valve



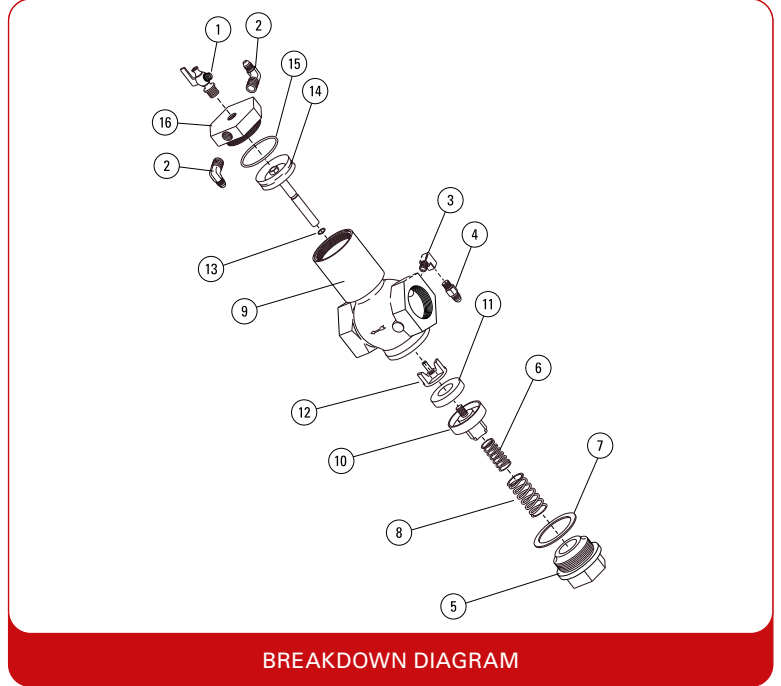
NO	DESCRIPTION	PART NUMBER	QTY
-	1" Inlet Valve, Complete	0403-01980	Ea
1	Petcock 1/4" NPT	0405-01993	Ea
2	Elbow 1/8" NPT Adaptor	0405-02827	Ea
3	Elbow 1/8" Brass Street	0405-03993	Ea
4	Adaptor 1/8" NPT with 1/16" Orifice	0405-01945	Ea
5	Bottom Cap NS	-	Ea
6	Spring, 5/8" x 1-11/16" Long (1)	0405-01982	Ea
7	Seal Bottom Cap (1) NS	-	Ea
8	Valve Plug	0405-01984	Ea
9	Valve Body NS	-	Ea
10	*Washer, Valve Plug (2) NS	-	Ea
11	*Retainer, Valve Plug Washer NS	-	Ea
12	*O-Ring 3/16" ID x 1/16" (1)	0405-01992	Ea
13	Piston and Rod Assembly	0405-01987	Ea
14	*O-Ring 1-3/4" OD (1)	0405-01990	Ea
15	Valve Cap NS	-	Ea
(-)	(-) Service kit, includes items marked with * and quantity noted.	0405-01929	Ea

Control Valves Inlet / Exhaust

Clemco 1-1/2" Inlet Valve



0403-01995



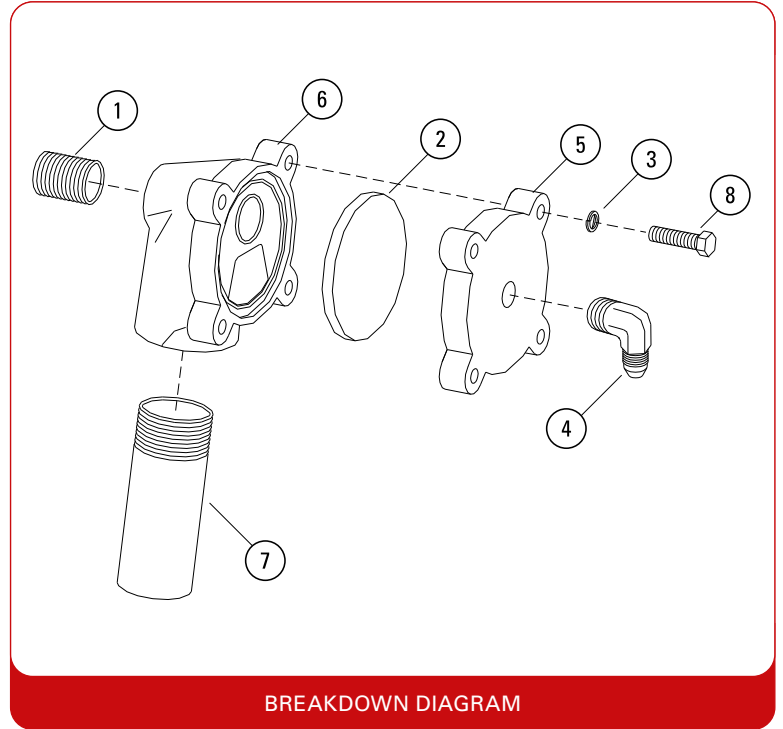
BREAKDOWN DIAGRAM

NO	DESCRIPTION	PART NUMBER	QTY
(-)	1-1/2" Inlet Valve, Complete	0403-01995	Ea
1	Petcock 1/4" NPT	0405-01993	Ea
2	Elbow 1/4" NPT Adaptor	0405-02513	Ea
3	Elbow 1/8" Brass Street	0405-03993	Ea
4	Adaptor 1/8" NPT with 1/16" Orifice	0405-01945	Ea
5	Bottom Cap	0405-02001	Ea
6	Spring Inner, 5/8" x 1-11/18" Long	0405-01982	Ea
7	Gasket Bottom Cap NS	-	Ea
8	Spring Outer	0405-02000	Ea
9	Valve Body NS	-	Ea
10	Valve Plug	0405-01999	Ea
11	*Washer, Valve Plug (2)	0405-01998	Ea
12	*Retainer, Valve Plug Washer (1)	0405-02002	Ea
13	*O-Ring 7/16" OD (1)	0405-02008	Ea
14	Piston and Rod Assembly	0405-02003	Ea
15	*O-Ring 2-1/4" OD (1)	0405-02007	Ea
16	Valve Cap NS	-	Ea
(-)	(-) Service kit, includes items marked with * and quantity noted.	0405-01927	Ea

3

Control Valves Inlet / Exhaust

Clemco 1/2" Outlet Valve



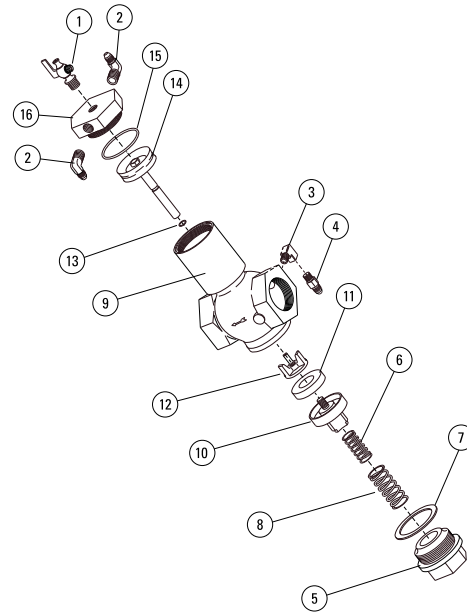
NO	DESCRIPTION	PART NUMBER	QTY
-	1/2" Diaphragm Outlet Valve, Complete	0403-02512	Ea
1	1/2" x Standard Close Pipe Nipple	0405-01733	Ea
2	1/2" Outlet Valve Diaphragm	0405-02511	Ea
3	1/4" Lockwasher (4 required) NS	-	Ea
4	1/4" x 1/4" Elbow Adaptor	0405-02513	Ea
5	1/2" Diaphragm Valve Cap	0405-02299	Ea
6	1/2" Diaphragm Valve Body	0405-02298	Ea
7	1" NPT x 3" T.O.E. Nipple	0405-01841	Ea
8	1/4"-20 x 1" Hex Head Cap Screw NS	-	Ea

Control Valves Inlet / Exhaust

Clemco 1" Outlet Valve



0403-01995

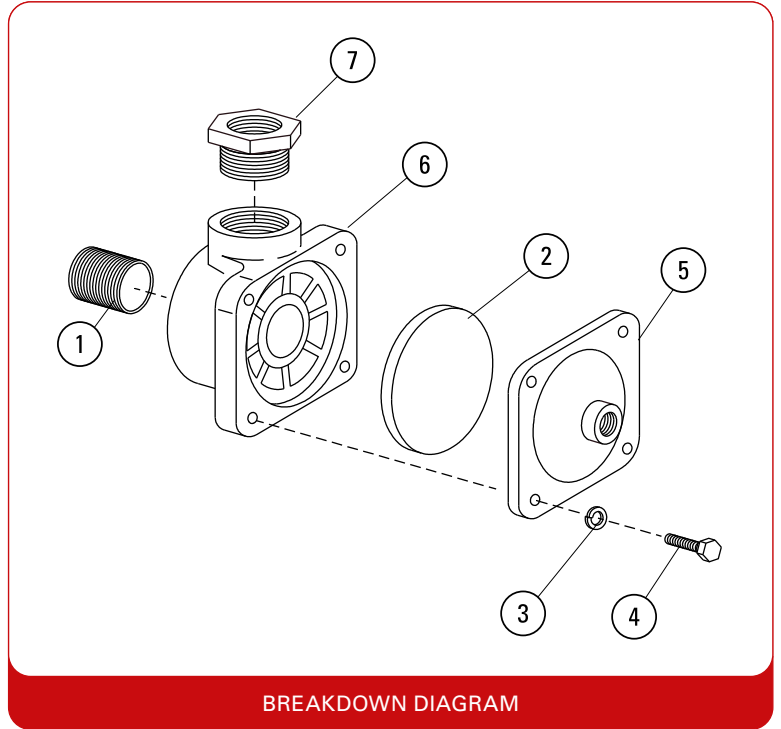


BREAKDOWN DIAGRAM

NO	DESCRIPTION	PART NUMBER	QTY
-	1" Piston Outlet Valve, Complete	0403-01967	Ea
1	Elbow 1/4" NPT Adaptor	0405-02513	Ea
2	Plug, 1/4" Pipe	0405-01950	Ea
3	Bonnet NS	-	Ea
4	Piston and Rod Assembly	0405-01976	Ea
5	Plug and Spindle Guide	0405-01971	Ea
6	*Valve Plug (1)	0405-01972	Ea
9	Valve Body NS	0405-01968	Ea
10	*Spring 7/16" x 1-5/8" (1) NS	-	Ea
11	Nylon Washer	0405-01979	Ea
12	Cap Screw, 3/8"-NC x 3/4" NS	0405-01979	Ea
*	(-) Service kit, includes items marked with * and quantity noted.	0405-01928	Ea

Control Valves Inlet / Exhaust

Clemco 1" Diaphragm Outlet



NO	DESCRIPTION	PART NUMBER	QTY
-	1" Diaphragm Outlet Valve, Complete	0405-3371	Ea
1	Nipple, 1" x Close	0305-4614	Ea
2	Diaphragm	0405-06149	Ea
3	Washer, 1/4" Lock	0405-03117	Ea
4	Cap Screw, 1/4"-NC x 1" HH	0405-03053	Ea
5	Cap, Diaphragm Outlet	0405-03393	Ea
6	Body, Diaphragm Outlet	0405-06135	Ea
7	Bushing, 1-1/4" x 3/4"	3006-0105	Ea

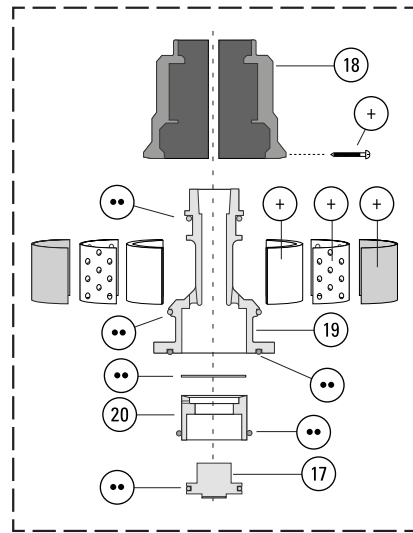
Control Valves Inlet / Exhaust

Clemco Millennium

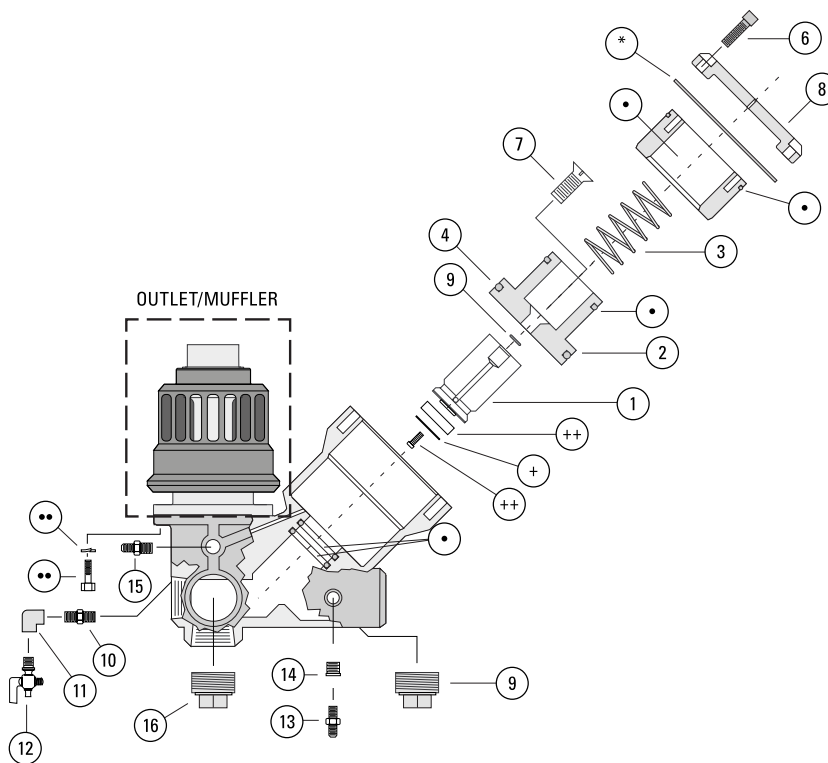
**BUILT-IN
MUFFLER**



0403-21336



OUTLET/MUFFER BREAKDOWN DIAGRAM



BREAKDOWN DIAGRAM

Control Valves Inlet / Exhaust

Clemco Millennium (continued)

NO	DESCRIPTION	PART NUMBER	QTY
-	Millennium Inlet/Outlet Valve, Complete	0403-21336	Ea
1	Plunger, Urethane Tip	0405-22600	Ea
2	Dual Piston NS	-	Ea
3	Spring, Compression	0405-22604	Ea
4	Screw with Internal Thread for Puller	0405-22650	Ea
5	Upper Sleeve	0405-22603	Ea
6	5/16"-NC x 1.25" Socket Head Screw (6 required)	0405-22611	Ea
7	Inlet Valve Body	0405-21338	Ea
8	Cylinder Cap	0405-21339	Ea
9	1-1/2" Plug NS	-	Ea
10	1/4" Hex Nipple NS	-	Ea
11	1/4" x 90 Female Pipe Elbow NS	-	Ea
12	1/4" Petcock	0405-01993	Ea
13	1/8" NPT Adaptor with 1/16" Orifice	0405-01945	Ea
14	Brass Bushing, 1/4" x 1/8"	0405-02010	Ea
15	1/4" NPS Adaptor	0405-02494	Ea
16	1-1/4" Pipe Plug NS	-	Ea
17	Piston	0405-22613	Ea
18	Exhaust Housing (2 required)	0405-21346	Ea
19	Exhaust Valve Body	0405-21345	Ea
20	Inner Sleeve	0405-22612	Ea
-	Millennium Super Service Kit (includes Inlet, Outlet, Plunger and Muffler Kits)	0405-22899	Ea
(*)	Inlet Segment Seals	0405-22856	Ea
(**)	Outlet Segment	0405-22857	Ea
(+)	Outlet Muffler	0405-22868	Ea
(++)	Plunger Tip	0405-22898	Ea



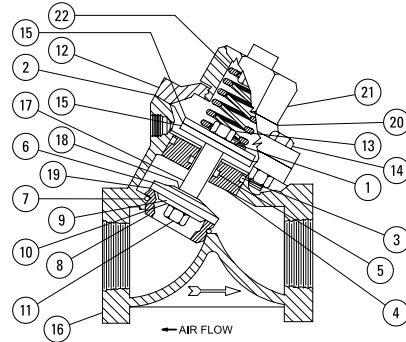
The Millennium inlet outlet valve is a two part remote control valve that combines inlet and outlet functions and includes an integral exhaust muffler.

Control Valves Inlet / Exhaust

AAV 1-1/4" and AAV 1-1/2"



0302-2282



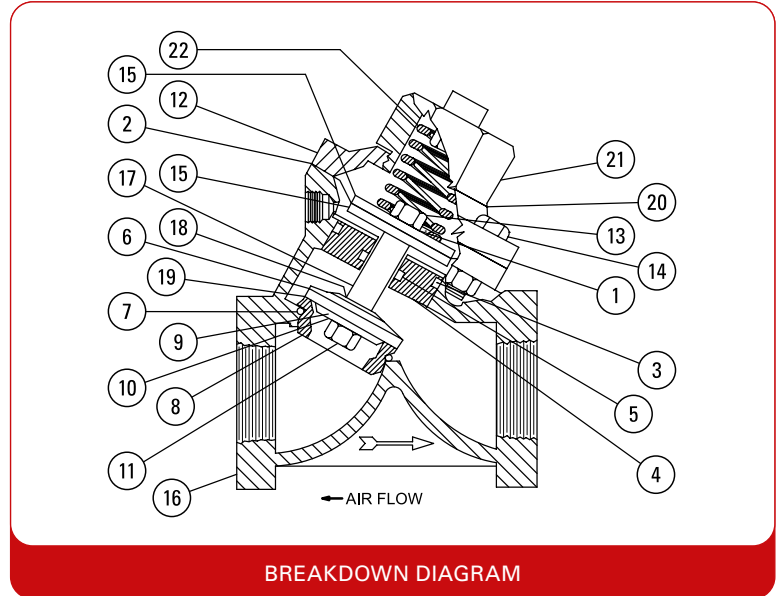
BREAKDOWN DIAGRAM

NO	DESCRIPTION	PART NUMBER	QTY
-	Auto Air Valve 1-1/4"	0302-2281	Ea
-	Auto Air Valve 1-1/2"	0302-2282	Ea
1	Lock Nut and Washer (4 off)	0305-2801	Ea
2	Diaphragm	0305-2802	Ea
3	O-Ring	0305-2803	Ea
4	Retainer Bushing	0305-2804	Ea
5	O-Ring	0305-2805	Ea
6	Disc Retainer	0305-2806	Ea
7	O-Ring	0305-2807	Ea
8	Seat	0305-2808	Ea
9	Disc Plate	0305-2809	Ea
10	Washer	0305-2810	Ea
11	Lock Nut	0305-2811	Ea
12	Cap	0305-2812	Ea
13	Lock Nut	0305-2813	Ea
14	Cap Screw (4 off) NS	-	Ea
15	Diaphragm Plate (2 off)	0305-2815	Ea
16	Body - 1-1/4", 1-1/2" NS	-	Ea
17	Shaft	0305-2819	Ea
18	Washer	0305-2820	Ea
19	Disc	0305-2821	Ea
20	O-Ring	0305-2822	Ea
21	Spring Retainer	0305-2823	Ea
22	Spring	0305-2824	Ea
-	Repair Kit for AAV 1-1/4" and 1-1/2" (Consists items 1, 2, 3, 5, 7, 13, 20, 21 & 22)	0305-1050	Ea

3

Control Valves Inlet / Exhaust

AAV 1"



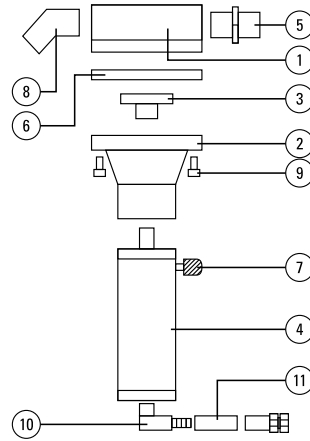
NO	DESCRIPTION	PART NUMBER	QTY
-	Auto Air Valve 1"	0302-2280	Ea
2	Diaphragm	0305-2802	Ea
4	Retainer Bushing	0305-2805	Ea
5	O-Ring	0305-2805	Ea
-	Repair Kit for 1" AAV (consists of items 1, 2, 3, 5, 7, 11, 13, 20, 21 & 22)	0305-3699	Ea

Control Valves Inlet / Exhaust

Burwell Dump Valve - Small



0302-3031



BREAKDOWN DIAGRAM

NO	DESCRIPTION	PART NUMBER	QTY
-	Automatic Dump Valve Assembly, Complete	0302-3031	1
1	Top Casting	0305-3311	1
2	Bottom Casting	0305-3312	1
3	Valve Head	0305-3313	1
4	Air Cylinder	0305-3314	1
5	Diaphragm	0305-3315	1
6	1/8" Silencer	0305-3316	1
7	Nipple 1/2" B/S	0305-1809	1
8	Elbow	0305-3612	1
9	Bolt	0305-3319	4
10	Male Tail Elbow	0305-3110	1
11	Connector Tube, Complete	0305-3111	1



The Triton Sprayer is the ultimate, affordable fine-finish Sprayer Package

Known in the Industry as the longest running and affordable Best Spray Finishing Package in its Class, the Graco Triton caters for all types of Metal and Wood Applications and will never skip a beat.

The Triton is a more effective alternative to traditional pressure pots and standard diaphragm pumps.



Quick and Easy To Use



Made from S/S & Aluminium



Requires Less Maintenance



Twice Output Per Stroke



High Output Less Wear



30% More Suction Power



Colour Change Less than 3 Min

TRITON

TRITON UPGRADE

Conveniently located across Australia

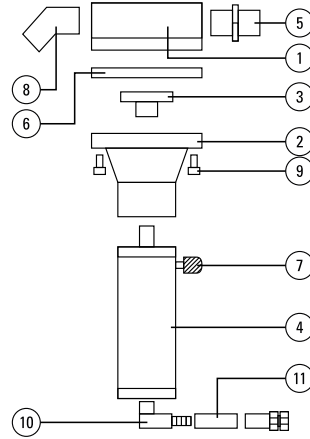
Find your nearest branch by calling 1300 287 935 or visit us at burwell.com.au

Control Valves Inlet / Exhaust

Burwell Dump Valve - Large



0302-2310



BREAKDOWN DIAGRAM

NO	DESCRIPTION	PART NUMBER	QTY
-	Automatic Dump Valve Assembly, Complete	0302-2310	1
1	Top Casting	0305-5301	1
2	Bottom Casting	0305-5312	1
3	Valve Head	0305-3313	1
4	Air Cylinder	0305-3314	1
5	Diaphragm	0305-5315	1
6	1/8" Silencer	0305-3316	1
7	Nipple 1" B/S	0305-4614	1
8	Elbow	0305-8612	1
9	Bolt	0305-3319	4
10	Male Tail Elbow	0305-3110	1
11	Connector Tube, Complete	0305-5311	1

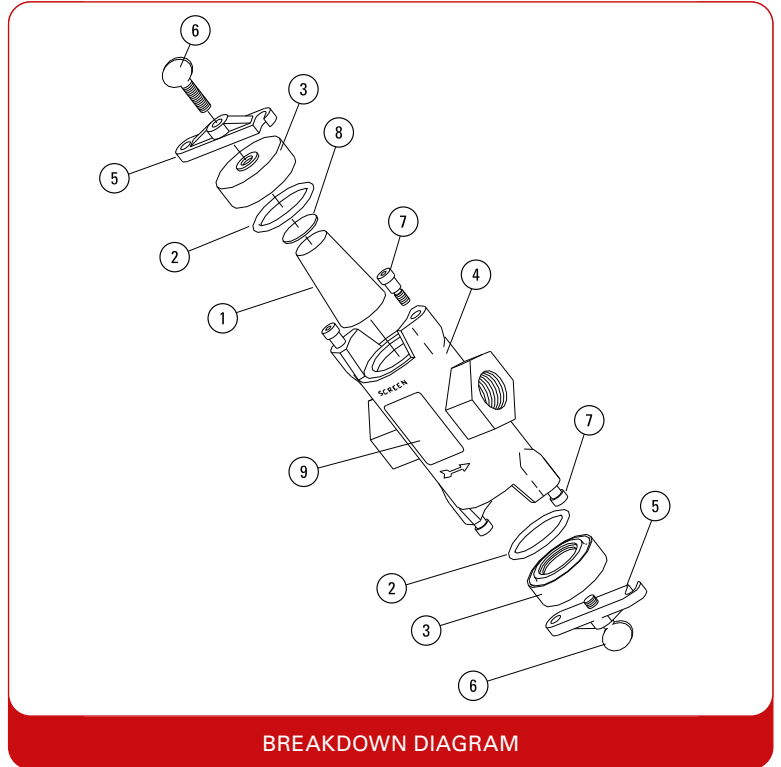
3

Abrasive Traps

Clemco Abrasive Trap



0405-02011



BREAKDOWN DIAGRAM

NO	DESCRIPTION	PART NUMBER	QTY
-	Abrasive Trap, Complete	0405-02011	Ea
1	*Screen (3)	0405-02012	Ea
2	*O-Ring (2)	0405-02013	Ea
3	Cap	0405-02014	Ea
4	Body	0405-02015	Ea
5	Lock Bar	0405-02016	Ea
6	Screw, 3/8-NC x 1" Thumb	0405-03289	Ea
7	Shoulder Screw, 3/8" x 3/8"	0405-03291	Ea
8	*Gasket, Screen, 1/8" thick (1)	0405-02434	Ea
9	*Decal, "Clean Screen" NS	0405-022129	Ea
*	Service kit, includes items marked with an * and quantity noted	0405-01925	Ea



Acts as a filter to keep dirty materials from entering the blast machine - for the best results, it is recommended to clean the screen twice daily.

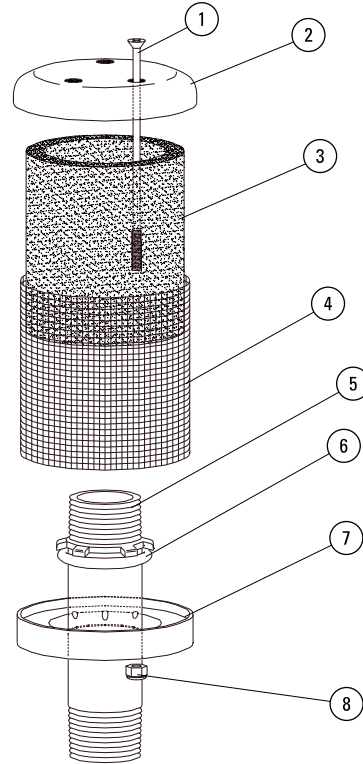
Mufflers

Clemco Muffler

REDUCES
BLEED-OFF
NOISE



0403-05068



BREAKDOWN DIAGRAM

NO	DESCRIPTION	PART NUMBER	QTY
-	Muffler, Complete	0403-05068	Ea
6	O-Ring, 1-1/4" ID	0405-05069	Ea

Silencers

Burwell Silencer



NO	DESCRIPTION	PART NUMBER	QTY
-	Silencer, Complete	0305-1012	Ea



4

Hoses, Hose Fittings and Clamps

Making sure you are working at peak productivity is something we take very seriously. To help you work at your best, there is a vast range of Hoses, Hose Fittings and Clamps available.

Hoses, Hose Fittings and Clamps



0601-0121

Fitted Air Hose

Page 4.2



1206-0309

Push Fittings

Page 4.4



0503-2547

Hose Coupling Safety Clips

Page 4.6



0502-6701

Nozzle Holder Rubbers

Page 4.8



0811-4523

3/4" Thread Angle Nozzles (Boride)

Page 4.11



0806-2545

2" Thread Double Venturi Tungsten Carbide (Boride)

Page 4.13

4

CONTENTS

Unfitted Air Hose.....	4.2	Hose Coupling Rubbers.....	4.9
Fitted Air Hose.....	4.2	Nozzle Holders.....	4.9
Bullhose Fittings and Clamps.....	4.2	Nozzle Holder Rubbers.....	4.9
A-Type Quick Release Couplings and Clamps.....	4.3	3/4" Thread Straight Bore Tungsten Carbide (Boride).....	4.10
Ryco Brass Nut and Tails.....	4.3	3/4" Thread Straight Bore Boron Carbide (Boride).....	4.10
Hose Tails.....	4.4	3/4" Thread Venturi Bore Tungsten Carbide (Boride).....	4.10
Brass Nipples.....	4.4	3/4" Thread Angle Nozzles (Boride).....	4.12
Push Fittings.....	4.4	3/4" Thread Curved Nozzle (Boride).....	4.12
O-Clips.....	4.6	2" Thread Wide Throat Polyurethane/Aluminium Jacket Tungsten Carbide (Boride).....	4.12
Heavy Wall Blast Hoses.....	4.6	2" Thread Wide Throat Rubber Jacket Tungsten Carbide (Clemco).....	4.13
Light Wall Blast Hoses.....	4.6	2" Thread Wide Throat Polyurethane/Aluminium Jacket Boron Carbide (Boride).....	4.13
Hose Cutters.....	4.6	2" Thread Wide Throat Light Weight Polyurethane Jacket Ceramic Composite Liner (Boride).....	4.13
Whip Check Blast Hose Safety Cables.....	4.7	2" Thread Double Venturi Tungsten Carbide (Boride).....	4.14
Hose Coupling Safety Clips.....	4.7	2" Thread Water Induction Tungsten Carbide (Boride).....	4.14
Pot Couplings.....	4.7	2" Thread Angle Nozzles Tungsten Carbide (Boride).....	4.15
Pot Coupling Rubbers.....	4.8	Clemco Wet Blast Attachment.....	4.15
Hose Couplings.....	4.8		

Air Hoses, Fittings and Clamps



Unfitted Air Hose

DESCRIPTION	PART NUMBER	QTY
10mm (3/8") ID PVC	0601-0234	Mtr
12mm (1/2") ID PVC	0601-0156	Mtr
10mm (3/8") ID Certified Breathing Hose	0603-1892	Mtr
Bull Hose 38mm ID (1-1/2")	0601-3800	Mtr
Bull Hose 50mm ID (2")	0601-2450	Mtr
Bull Hose 50mm ID (3")	0601-7500	Mtr



Fitted Air Hose

DESCRIPTION	PART NUMBER	QTY
20m x 3/4" complete with Quick Release Couplings	0601-0121	Ea
20m x 1" complete with Quick Release Couplings	0601-0122	Ea



Bullhose Fittings and Clamps

DESCRIPTION	PART NUMBER	QTY
2" Hose Tail, 4 Claw Coupling	0601-4458	Ea
2" BSP Female, 4 Claw Coupling	0601-4453	Ea
4 Claw Coupling Rubber	0601-4527	Ea
2" Hose Tail, 2 Claw Coupling	0601-0131	Ea
2" BSP Male Thread, 2 Claw Coupling	0601-0132	Ea
2" BSP Female Thread, 2 Claw Coupling	0601-0907	Ea
Coupling Rubber 2" Surelock	0601-0889	Ea
2" Hose Tail - Spud Fitting	0601-0980	Ea
2" Wing Nut - Spud Fitting	0601-0981	Ea
2" Female BSP - Spud Fitting	0601-0982	Ea
2" Male BSP - Spud Fitting	0601-2005	Ea
2 Bolt Clamp and Chain (suits all of above)	0601-0906	Ea

Air Hoses, Fittings and Clamps



A-Type Quick Release Couplings and Clamps

DESCRIPTION	PART NUMBER	QTY
1/2" A-Type Hose Tail Coupling	0601-0134	Ea
3/4" A-Type Hose Tail Coupling	0601-0135	Ea
1" A-Type Hose Tail Coupling	0601-0136	Ea
1/2" A-Type Threaded Male Coupling	0601-0263	Ea
3/4" A-Type Threaded Male Coupling	0601-0104	Ea
1" A-Type Threaded Male Coupling	0601-0129	Ea
1/2" A-Type Threaded Female Coupling	0601-0262	Ea
1" A-Type Threaded Female Coupling	0601-0127	Ea
Hose Clamp, 3/4" Double Bolt (SL34)	3016-0266	Ea
Hose Clamp Double Bolt complete with Claw (SK39)	0304-1356	Ea
Hose Clamp, 1" Double Bolt (SL40)	3016-0085	Ea
Hose Bolt, Double Bot complete with Claw (SK44)	3016-1140	Ea



Ryco Brass Nut and Tails

DESCRIPTION	PART NUMBER	QTY
Ryco-Coupling Male BSP 1/4"	0601-4838	Ea
Ryco Coupling Male BSP 3/8"	0601-0241	Ea
Ryco Coupling Female BSP 1/4"	0601-0171	Ea
Ryco Coupling Female BSP 3/8"	0601-0243	Ea
Ryco Coupling x Hose Tail 3/8" Barb	0601-0161	Ea
Ryco Coupling x Hose Tail 1/4" Barb	0601-1260	Ea
Ryco Adaptor x Male 1/4" BSP	0601-4839	Ea
Ryco Adaptor x Male 3/8" BSP	0601-0242	Ea
Ryco Adaptor x Female 1/4" BSP	0601-0164	Ea
Ryco Adaptor x Hose Tail 1/4"	0601-0479	Ea
Ryco Adaptor x Hose Tail 3/8"	0601-1251	Ea
Nut and Tail 1/4" Tail x 1/4" Nut	0601-0306	Ea
Nut and Tail 3/8" Tail x 1/4" Nut	0601-0165	Ea
Nut and Tail 3/8" Tail x 3/8" Nut	0601-0403	Ea
Nut and Tail 3/8" Tail x 1/2" Nut	0601-0799	Ea
Nut and Tail 1/2" Tail x 1/2" Nut	0601-0067	Ea

Air Hoses, Fittings and Clamps



HOSE TAILS

Hose Tails

DESCRIPTION	PART NUMBER	QTY
Hose Tail 3/16" x 1/4" BSP Female Thread	0601-1361	Ea
Hose Tail 1/4" x 1/4" BSP Female Thread	0601-0897	Ea
Hose Tail 3/8" x 1/4" BSP Female Thread	0601-0157	Ea
Hose Tail 1/2" x 1/4" BSP Female Thread	0601-0737	Ea
Hose Tail 1/4" x 3/8" BSP Male Thread	0601-0406	Ea
Hose Tail 3/8" x 3/8" BSP Male Thread	0601-0481	Ea
Hose Tail 3/8" x 1/2" BSP Male Thread	0601-0483	Ea
Hose Tail 3/16" x 1/8" BSP Male Thread	0601-0188	Ea
Hose Tail 3/16" x 1/4" BSP Male Thread	0601-0168	Ea
Hose Tail 1/4" x 1/4" BSP Male Thread	0601-0305	Ea
Hose Tail 3/8" x 1/4" BSP Male Thread	0601-0482	Ea
Hose Tail 1/2" x 1/4" BSP Male Thread	0601-0160	Ea
Hose Tail 1/2" x 1/2" BSP Male Thread	0601-30206	Ea



BRASS NIPPLES

Brass Nipples

DESCRIPTION	PART NUMBER	QTY
Nipple, Hex BSP 1/4" x 1/4"	3006-5345	Ea
Nipple, Hex BSP 1/4" x 1/8"	3006-0489	Ea
Nipple, Hex BSP 3/8" x 1/4"	3006-1424	Ea
Nipple, Hex BSP 3/8" x 3/8"	3006-0478	Ea
Nipple, Hex BSP 3/8" x 1/2"	3006-1425	Ea
Nipple, Hex BSP 1/2" x 1/4"	3006-1364	Ea
Nipple, Hex BSP 1/2" x 1/2"	3006-1887	Ea



1206-0309

Push Fittings

DESCRIPTION	PART NUMBER	QTY
Push Fitting, Elbow 1/8" BSP x 6mm Tube	1206-0309	Ea
Push Fitting, Elbow 1/4" BSP x 6mm Tube	1206-1020	Ea



IBIX brings you the most portable blasting equipment available on the market

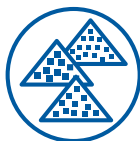
Our extensive range of IBIX Blast Machines will make almost any abrasive blasting job so much easier.

The IBIX Blast Machines are available in 4 different sizes - IBIX 3, IBIX 9, IBIX 25 and IBIX 40. You have the choice of a Dry Blaster, a Wet Blaster or a Dual Action Wet/Dry Blaster - there is an IBIX unit to suit your needs for maintenance or cleaning delicate surfaces.

**BACKPACK
ACCESSORY
ALSO
AVAILABLE**



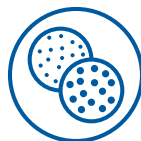
Various Tank Capacities



Allows Various Abrasives



Lightweight Aluminium Body



Handles 30-350 Mesh Abrasives



Tackles Various Substrates



Adjustable Media Flow



Includes Nozzle, Funnel & Screen

Conveniently located
across Australia

Find your nearest branch by calling
1300 287 935 or visit us at burwell.com.au

Air Hoses, Fittings and Clamps



O-Clips

DESCRIPTION	PART NUMBER	QTY
O-Clip 7/16" (OTK 9-11)	0601-1249	Ea
O-Clip 9/16" (OTK 13-15)	0601-0073	Ea
O-Clip 5/8" (OTK 15-18)	0601-0434	Ea
O-Clip 3/4" (OTK 17-20)	0601-0060	Ea
O-Clip 7/8" (OTK 20-23)	0601-1250	Ea
O-Clip 1/2" (OTK 11-13)	0601-0169	Ea

Blast Hoses & Related Products



Heavy Wall Blast Hoses

DESCRIPTION	PART NUMBER	QTY
19mm ID x 33mm OD Blast Hose	0501-2430	Mtr
25mm ID x 48mm OD Blast Hose	0501-2440	Mtr
32mm ID x 55mm OD Blast Hose	0501-2450	Mtr
38mm ID x 60mm OD Blast Hose	0501-2464	Mtr
51mm ID x 76mm OD Blast Hose	0501-2474	Mtr

* Standard length is 20 metres however some of the above are available in 40 & 60m lengths



Light Wall Blast Hoses

DESCRIPTION	PART NUMBER	QTY
25mm ID x 38mm OD Blast Hose (Clemco)	0502-04258	Mtr
32mm ID x 48mm OD Blast Hose (Clemco)	0502-04303	Mtr
38mm ID x 55mm OD Blast Hose	0501-2475	Mtr

* Standard length is 20 metres however some of the above are available in 40 & 60m lengths



Hose Cutters

DESCRIPTION	PART NUMBER	QTY
Hose Cutters (48mm)	0503-2248	Ea
Hose Cutters (60mm)	0503-7360	Ea

Blast Hoses & Related Products



Whip Check Blast Hose Safety Cables

DESCRIPTION	PART NUMBER	QTY
Small Whip Check (15mm to 60mm OD)	0503-5012	Ea
Large Whip Check (45mm to 90mm OD)	0503-5013	Ea



Hose Coupling Safety Clips

DESCRIPTION	PART NUMBER	QTY
Lock Springs (25 Pack) Clemco Couplings	0502-21585	Pkt
Small Safety Clip	0503-2547	Ea
Large Coupling Safety Clip (D-Clip)	0503-1319	Ea
Small Coupling Safety Clip	0503-0771	Ea

Pot Couplings and Rubbers



Pot Couplings

DESCRIPTION	PART NUMBER	QTY
Aluminium 1/2" Pot Coupling (Clemco)	0502-00558	Ea
Nylon 1-1/4" Pot Coupling (Clemco)	0502-07716	Ea
Nylon 1-1/2" Pot Coupling (Clemco)	0502-07715	Ea
Steel 1/2" Male Pot Coupling	0501-7771	Ea
Steel 1-1/4" Female Pot Coupling	0304-7772	Ea
Steel 1-1/2" Female Pot Coupling	0304-7773	Ea
Steel 2" Female Pot Coupling	0304-7819	Ea
Brass 1-1/4" Female Pot Coupling	0503-2127	Ea
Brass 1-1/2" Female Pot Coupling	0503-2227	Ea
Brass 1-1/2" Pot Coupling (MEGA MAX)	0501-7239	Ea
Brass 2" Pot Coupling (MEGA MAX)	0503-2427	Ea

Pot Couplings and Rubbers



0502-08853

Pot Coupling Rubbers

DESCRIPTION	PART NUMBER	QTY
Rubbers (10 Pack) 7715 & 7716	0502-08853	Pkt
Rubbers BQRPC-1	0501-0271	Ea
Rubbers 558, BQRPC-2&3	0501-0272	Ea
Rubbers SB-1-BR & SB-2-BR	0503-2401	Ea
Rubber Gasket (MEGA MAX)	0503-2402	Ea

Hose Couplings and Rubbers



HOSE COUPLINGS

Hose Couplings

DESCRIPTION	PART NUMBER	QTY
Aluminium Coupling (33mm OD Hose)	0502-00599	Ea
Aluminium Coupling (38mm OD Hose)	0502-00568	Ea
Nylon Coupling (33mm OD Hose)	0502-11395	Ea
Nylon Coupling (25 x 38mm OD Hose)	0502-21088	Ea
No.2 Nylon Coupling (25 x 48mm OD Hose)	0502-21711	Ea
No.2 Nylon Coupling (32 x 48mm OD Hose)	0502-08413	Ea
No.3 Nylon Coupling (32 x 55mm OD Hose)	0502-08414	Ea
No.4 Nylon Coupling (38 x 60mm OD Hose)	0502-07714	Ea
Steel Coupling (33mm OD Hose)	0501-7721	Ea
No.2 Steel Coupling (48mm OD Hose)	0501-7722	Ea
No.3 Steel Coupling (55mm OD Hose)	0501-7723	Ea
Brass Coupling (48mm OD Hose)	0503-7227	Ea
Brass Coupling (55mm OD Hose)	0503-7327	Ea
Brass Coupling (60mm OD Hose)	0503-7427	Ea
Brass Coupling (48mm OD Hose-MEGA MAX)	0501-7292	Ea
Brass Coupling (55mm OD Hose-MEGA MAX)	0501-7392	Ea
Brass Coupling (60mm OD Hose-MEGA MAX)	0503-4927	Ea
Brass Coupling (76mm OD Hose-MEGA MAX)	0503-6927	Ea



Genuine Clemco Nylon Hose Couplings and Rubbers will provide you with the perfect seal - beware of cheap and inferior imitations!

Hose Couplings and Rubbers



HOSE COUPLING RUBBERS

Hose Coupling Rubbers

DESCRIPTION	PART NUMBER	QTY
Coupling Rubber BQRC-1	0501-0271	Pkt
Coupling Rubber 599, 568, BQRC-2,3	0501-0272	Ea
Coupling Rubber (10 Pk) 11395	0502-8852	Pkt
Coupling Rubber (10 Pk) 21088 & 21711	0502-21584	Pkt
Coupling Rubber (10 Pk) 8413, 8414 & 7714	0502-08853	Pkt
Rubbers Q-2-BR, Q-3-BR, Q-4-BR	0503-2401	Ea
Rubber Gasket (MEGA MAX)	0503-2402	Ea

Nozzle Holders and Rubbers



NOZZLE HOLDERS

Nozzle Holders

DESCRIPTION	PART NUMBER	QTY
Aluminium Nozzle Holder (33mm OD) 3/4" BSP	0501-6410	Ea
Aluminium Nozzle Holder (55mm OD Hose)	0501-1643	Ea
Retaining Nut to suit BNH-2 & BNH-3	0501-1647	Ea
Aluminium Holder 3/4" Thread (38mm Hose)	0501-2454	Ea
Aluminium Holder 1" Thread (38mm Hose)	0501-2455	Ea
Nylon Quick Release Holder (50mm Thread)	0502-07719	Ea
Nylon Nozzle Holder (33mm OD Hose)	0502-11398	Ea
Nylon Nozzle Holder (38mm OD Hose)	0502-04106	Ea
Nylon Nozzle Holder (48mm OD Hose)	0502-04127	Ea
Aluminium Nozzle Holder 1" x 1-7/8" (48mm OD Hose)	0501-6432	Ea
Nylon Nozzle Holder (55mm OD Hose)	0502-04128	Ea

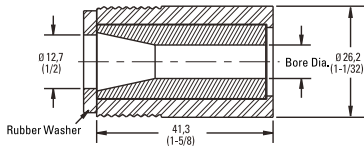
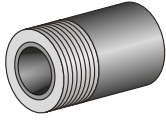


0502-6701

Nozzle Holder Rubbers

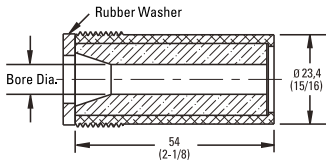
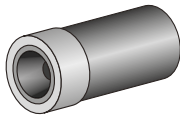
DESCRIPTION	PART NUMBER	QTY
Nozzle Rubbers (10 Pk) BNH-1	0502-6701	Pkt
Nozzle Rubbers (10 Pk) BNH-2 & BNH-3	0502-6702	Pkt
Nozzle Rubbers (10 Pk) NW25	0502-91024	Pkt
Nozzle Rubbers (10 Pk) NW32	0502-91026	Pkt

3/4" Thread Blast Nozzles



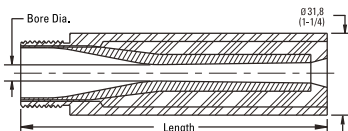
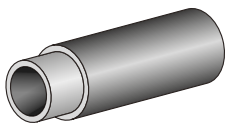
3/4" Thread Straight Bore Tungsten Carbide (Boride)

DESCRIPTION	PART NUMBER	QTY
1/8" Bore Steel Case	0808-1062	Ea
3/16" Bore Steel Case	0808-1063	Ea
1/4" Bore Steel Case	0808-1064	Ea
5/16" Bore Steel Case	0808-1065	Ea
3/8" Bore Steel Case	0808-1066	Ea
1/2" Bore Steel Case	0808-1068	Ea



3/4" Thread Straight Bore Boron Carbide (Boride)

DESCRIPTION	PART NUMBER	QTY
3/16" Bore Steel Case	0809-3724	Ea
1/4" Bore Steel Case	0809-4724	Ea
5/16" Bore Steel Case	0809-5724	Ea
3/8" Bore Steel Case	0809-6724	Ea
1/2" Bore Steel Case	0809-8724	Ea



3/4" Thread Venturi Bore Tungsten Carbide (Boride)

DESCRIPTION	PART NUMBER	QTY
3/16" Bore Steel Case	0810-1203	Ea
1/4" Bore Steel Case	0810-1204	Ea

4



Say goodbye to the back-breaking job of cleaning up spent abrasive

If you're one of the many blasting operators that spends hours cleaning up spent abrasive and fines after every job, there is an easier option.

The OneKleen Drummvac is a compressed-air powered vacuum that will quickly recover abrasive blasting media, meaning there is no more shoveling or back-breaking work for you. Spend more time working and less time cleaning!

WILL CLEAN
UP VIRTUALLY
ANY SOLID
OR LIQUID



No More
Brooms/Shovels



Take Less Time
Cleaning Up



Fill Blast Pots
Quickly



Use An Existing
Compressor



Requires Little
to No Servicing



No More Back
Breaking Work

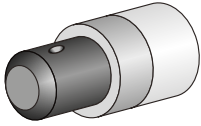


Comprehensive
5 Year Warranty

Conveniently located
across Australia

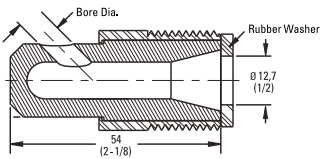
Find your nearest branch by calling
1300 287 935 or visit us at burwell.com.au

3/4" Thread Blast Nozzles



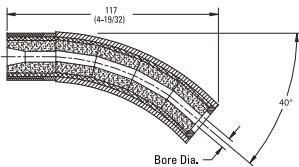
3/4" Thread Angle Nozzles (Boride)

DESCRIPTION	PART NUMBER	QTY
1/8" Bore 45 Degrees, Triple Outlet	0811-4523	Ea
1/4" Bore 45 Degrees, Single Outlet	0811-4540	Ea

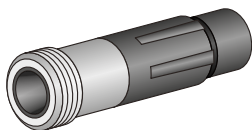


3/4" Thread Curved Nozzle (Boride)

DESCRIPTION	PART NUMBER	QTY
Banana Nozzle (10mm)	0811-2520	Ea

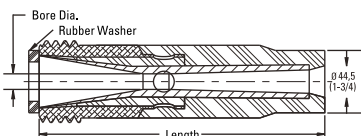


2" Coarse Thread Blast Nozzles



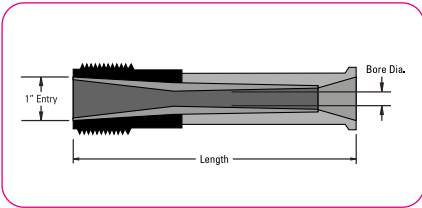
2" Thread Wide Throat Polyurethane/Aluminium Jacket Tungsten Carbide (Boride)

DESCRIPTION	PART NUMBER	QTY
1/4" Bore 50mm Threaded Case	0805-8457	Ea
5/16" Bore 50mm Threaded Case	0805-9557	Ea
3/8" Bore 50mm Threaded Case	0805-9657	Ea
7/16" Bore 50mm Threaded Case	0805-9757	Ea
1/2" Bore 50mm Threaded Case	0805-9857	Ea
5/8" Bore 50mm Threaded Case	0805-9157	Ea



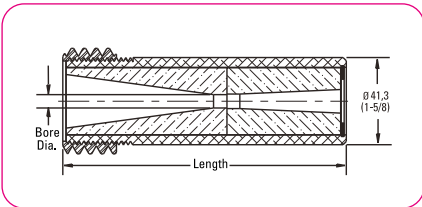
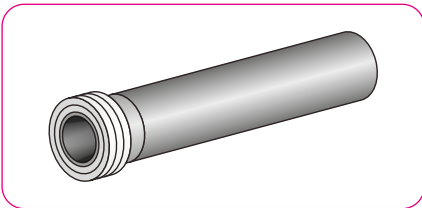
4

2" Coarse Thread Blast Nozzles



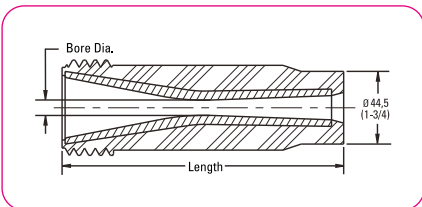
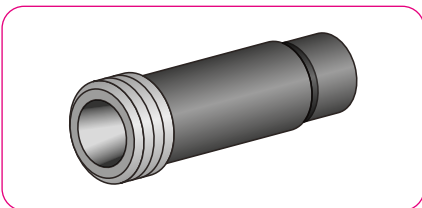
2" Thread Wide Throat Rubber Jacket Tungsten Carbide (Clemco)

DESCRIPTION	PART NUMBER	QTY
CTSG-4 1/4" 50mm Thread	0802-05283	Ea
CTSG-5 5/16" 50mm Thread	0802-05284	Ea
CTXG-6 3/8" 50mm Thread	0802-92026	Ea
CTXG-7 7/16" 50mm Thread	0802-92027	Ea
CTXG-8 1/2" 50mm Thread	0802-92028	Ea



2" Thread Wide Throat Polyurethane/Aluminium Jacket Boron Carbide (Boride)

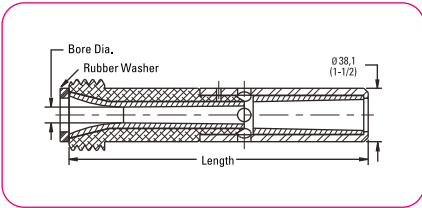
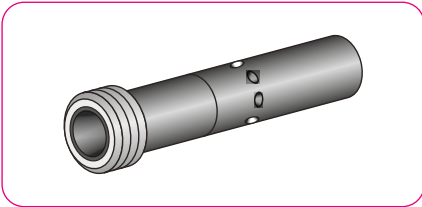
DESCRIPTION	PART NUMBER	QTY
5/16" Bore 50mm Threaded Case	0808-4550	Ea
3/8" Bore 50mm Threaded Case	0808-4650	Ea
7/16" Bore 50mm Threaded Case	0808-4750	Ea



2" Thread Wide Throat Light Weight Polyurethane Jacket Ceramic Composite Liner (Boride)

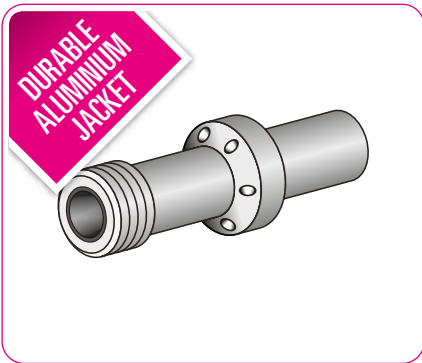
DESCRIPTION	PART NUMBER	QTY
5/16" Bore 50mm Threaded Case	0804-9552	Ea
3/8" Bore 50mm Threaded Case	0804-9652	Ea
7/16" Bore 50mm Threaded Case	0804-9752	Ea
1/2" Bore 50mm Threaded Case	0804-9852	Ea

2" Coarse Thread Blast Nozzles



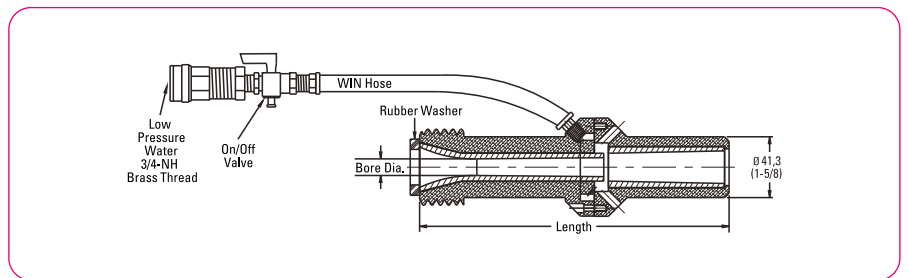
2" Thread Double Venturi Tungsten Carbide (Boride)

DESCRIPTION	PART NUMBER	QTY
1/4" Bore 50mm Threaded Case	0806-2545	Ea
5/16" Bore 50mm Threaded Case	0806-2555	Ea
3/8" Bore 50mm Threaded Case	0806-2565	Ea
7/16" Bore 50mm Threaded Case	0806-2575	Ea
1/2" Bore 50mm Threaded Case	0806-2585	Ea

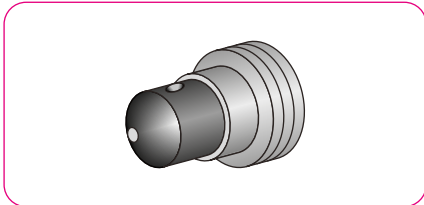


2" Thread Water Induction Tungsten Carbide (Boride)

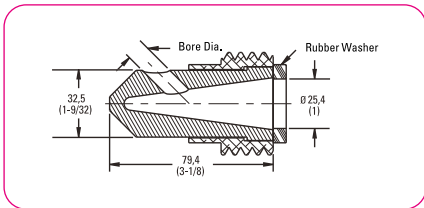
DESCRIPTION	PART NUMBER	QTY
1/4" Bore 50mm Threaded Case	0807-9445	Ea
5/16" Bore 50mm Threaded Case	0807-9405	Ea
3/8" Bore 50mm Threaded Case	0807-9465	Ea
7/16" Bore 50mm Threaded Case	0807-9475	Ea
1/2" Bore 50mm Threaded Case	0807-9485	Ea
Hose to suit above	0807-1463	Ea



2" Coarse Thread Blast Nozzles



2" Thread Angle Nozzles Tungsten Carbide (Boride)



DESCRIPTION	PART NUMBER	QTY
3/8" Angle Nozzle - Single Outlet 45 Degrees	0811-4565	Ea
3/8" Angle Nozzle - Triple Outlet 45 Degrees	0811-4564	Ea



Clemco Wet Blast Attachment

DESCRIPTION	PART NUMBER	QTY
Wetblast Attachment	0813-02701	Ea



Operator Safety Equipment

Keeping the blasting operator safe is our top priority. We carry an extensive range of products that will ensure you stay well and truly out of harm's way.

Operator Safety Equipment



0702-25191

Clemco Apollo 600

Page 5.2



0702-04410B

Clemco Cool Air Tube

Page 5.7



0702-03580

Clemco Helmet Breathing Air Filter CPF 20 (2 Outlet)

Page 5.12



0704-0112

Radex Breathing Air Filter Cartridge

Page 5.16



2602-24612

Clemco CMS-3 In-Helmet CO Monitor

Page 5.19



0402-10565

Clemco RLX Pneumatic Remote Control Trigger

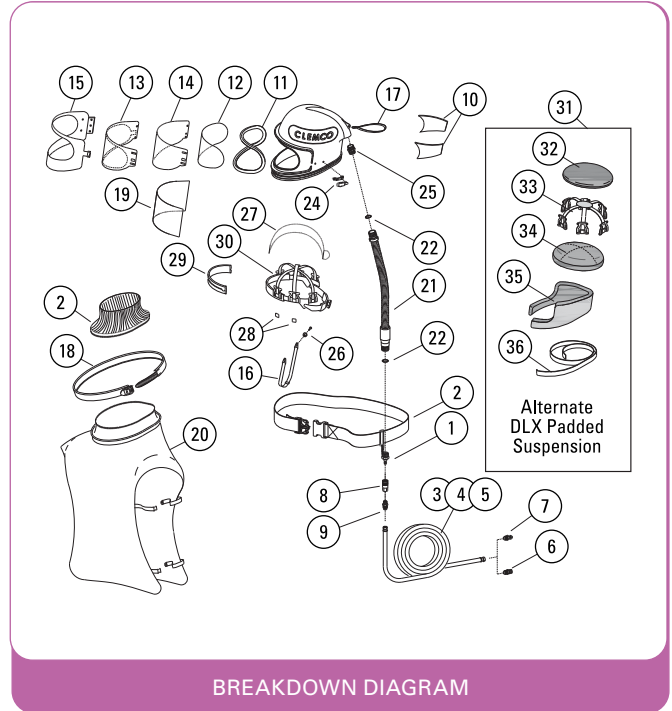
Page 5.26

CONTENTS

Clemco Apollo 600.....	5.2	Clemco CMS-3 In-Helmet CO Monitor	5.22
NOVA 2000.....	5.5	Replacement Parts CMS-3	5.22
NOVA 3	5.6	Certified Breathing Hose.....	5.23
Problast Spare Parts	5.7	Certified Breathing Hose Fittings	5.23
Clemco Cool Air Tube.....	5.8	Brass Nut and Tail Fittings.....	5.23
Clemco Climate Control Tube	5.9	Miscellaneous Safety Equipment	5.24
Silencer Helmet and Protection Suit for Shot Blasting.....	5.11	Blast Lights	5.25
Clemco Apollo Helmet Communication Systems	5.12	Clemco Remote Control System	5.26
Clemco Apollo Helmet Communication Systems (Components).....	5.12	Burwell Control Hose and Fittings.....	5.27
Clemco Helmet Breathing Air Filter CPF 20 (2 Outlet).....	5.13	Burwell Pro Series Electric Deadman Conversion Kits.....	5.27
Clemco Helmet Breathing Air Filter CPF 80 (4 Outlet).....	5.15	Electric Deadman Systems with ACS.....	5.28
Radex Breathing Air Filter Cartridge	5.17	Clemco RLX Pneumatic Remote Control Trigger	5.29
Sundstrom	5.18	Burwell Pneumatic Remote Control Trigger	5.30
Clemco CMS-1 CO2 Monitor (Fixed Installation Model).....	5.20	Other Pneumatic Deadman Triggers	5.31
Clemco CMS-2 CO2 Monitor (Fixed Installation Model).....	5.21		

Blast Helmets

Clemco Apollo 600



NO	DESCRIPTION	PART NUMBER	QTY
-	Apollo 600 with Air Control Valve	0702-25191	Ea
2	Belt with Buckle	0702-04430	Ea
11	Gasket, Window	0702-23819	Ea
12	Inner Lens 5-Pack	0702-04367	Ea
13	Outer Lens 25-Pack	0702-04361	Ea
14	Intermediate Lens 25-Pack	0702-04373	Ea
15	Window Frame Assembly	0702-24012	Ea
18	Cape Attachment Band	0702-23801	Ea
20	Cape, Grey, includes Item 23	0702-23818	Ea
21	Breathing Tube, includes 2 x Item 22	0702-22811	Ea
22	O-Ring (2 required)	0702-22815	Ea
23	Inner Collar	0702-08740	Ea
24	Latch Kit	0702-24006	Ea
27	Partition/Air Baffle	0702-23811	Ea
29	Sweatband	0702-23817	Ea
30	Suspension	0702-23802	Ea
31	DLX Padded Suspension Kit	0702-25189	Ea

5



Rugged and durable respiratory protection with the Apollo 600 Respirator

The Apollo 600 incorporates the most popular features of the Apollo 60 as well as many feature improvements to make it more comfortable to wear, easier to maintain, and more durable, promising a long service life.

The Unique 3-Lens System on the Apollo 600 features Glove-Friendly Tear-Off Tabs, so you can quickly swap out lenses when needed.



Unique 3-Lens System



DLX Comfort Fit Suspension



Replaceable Inlet Fitting



Extra Long Window Frame



Tough Outer Shell & Baffle



Screw-Mounted Window Latch



Washable Inner Collar

Conveniently located
across Australia

Find your nearest branch by calling
1300 287 935 or visit us at burwell.com.au

Blast Helmets

Interchangeability Guide

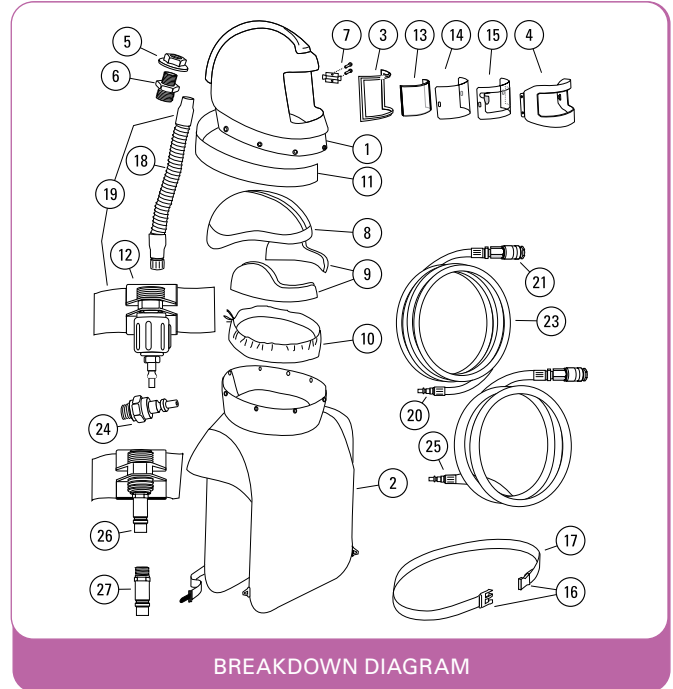
Clemco made every effort to minimize the number of non-interchangeable parts between the two models to ease stocking requirements for our Distributors. However, in order to deliver higher performance, new features translated into new components. The following table is intended to help you identify the parts that WILL interchange and those that WILL NOT interchange.

Part Description	Fits Apollo 60	Fits Apollo 600	Interchangeable?
Inner Lens 5-pk	04367	04367	YES
Intermediate Lens 25-pk	04373	04373	YES
Intermediate Lens 5-pk	24943	24943	YES
Perforated Lens 25-pk	04361	04361	YES, but only those lens packs in blue-tint bags will fit both the Apollo 60 and 600. Lenses packed in clear bags will fit the 60 only.
Rectangular Lens 25-pk	n/a	24005	NO Fits Apollo 600 only.
Non-perforated Outer Lens 25-pk	04372	n/a	NO WSH lens fits Apollo 60 only. Not part of standard lens system.
Chin Strap	04460	04460	YES
Chinstrap Holder Kit	n/a	24008	NO
Handle Strap	03623	03623	YES
Acoustical Foam Kit	04369	04369	YES
Breathing Tube	22811	22811	YES
Helmet Window Latch Only	04449	04449	YES
Inner Collar Kit	08740	08740	YES
Window Frame Assembly	08741	24012	NO The Apollo 600 window frame is red. The Apollo 60 frame is black.
Cape with Inner Collar	04435	23818	NO The Apollo 600 cape is silver-grey. The Apollo 60 cape is red. Different attachment systems.
Cape Attachment Band	10534	23801	NO
Belt, 2" Web with Buckle	04430	04430	YES
Suspension	10532	23802	NO
Suspension Clip Set (4)	n/a	24773	NO
Suspension Sweatband	n/a	23817	NO
Window Gasket	04452	23819	NO
Window Latch Kit	04368	24006	NO
Box Front Kit	04515	n/a	NO
Air Baffle	n/a	23811	NO
Inlet Air Fitting	n/a	23804	NO
Window Latch Base	n/a	23813	NO
Respirator Hose HP 3/8" x 25 ft.	04397	04397	YES For HP models only
Respirator Hose HP 3/8" x 50 ft.	04415	04415	YES For HP models only
Respirator Hose HP 3/8" x 100 ft.	04398	04398	YES For HP models only
Respirator Hose LP 1/2" x 50 ft.	22510	22510	YES For LP models only
Respirator Hose LP 1/2" x 100 ft.	21413	21413	YES For LP models only
Air-control Valve with Belt	100024	100024	YES For HP models only
Cool-air Tube with Belt	04410	04410	YES For HP models only
Climate-control Tube with Belt	04411	04411	YES For HP models only
CFC Constant-flow Connector HP w/Belt	21422	21422	YES For HP models only
CFC Constant-flow Connector LP w/Belt	21777	21777	YES For LP models only
HP to LP Conversion Kit	22079	24812	NO Not interchangeable because kit includes respirator owner's manual.
LP to HP Conversion Kit	22080	24811	NO Not interchangeable because kit includes respirator owner's manual.

CLEMCO APOLLO 600/60 INTERCHANGEABILITY GUIDE

Blast Helmets

NOVA 2000



NO	DESCRIPTION	PART NUMBER	QTY
-	Nova 2000 complete with Cool Air Tube and Nylon Cape	0703-6823	Ea
2	Nova Inner/Outer Cape	0703-6824	Ea
3	Rubber Face Frame	0703-6826	Ea
4	Window Frame with Hinge and Lens Clips	0703-6828	Ea
7	Frame Latch with Screws NS	0703-6830	Ea
8	Head Dome	0703-6832	Ea
-	Complete Lining Kit	0703-6829	Ea
9	Side Wings (Pair)	0703-6833	Ea
10	Inner Bib	0703-6834	Ea
11	Cover Band	0703-6813	Ea
12	Air Control Valve NS	0703-6837	Ea
13	Inner Lens	0703-0641	Ea
14	Outer Lens	0703-0640	Ea
15	Tear Off Visors - Pkt 50	0703-6838	Pkt
17	Belt with Buckles	0703-6819	Ea
18	Breathing Tube	0703-6841	Ea
19	Breathing Tube with Air Control NS	-	Ea
-	Cool Air Tube	0703-6801	Ea

Blast Helmets

NOVA 3



DESCRIPTION	PART NUMBER	QTY
Complete Nova 3 Helmet with Cool Air Tube, Cape, Breathing Tube	0703-6323	Ea
Adjustable Head Support	0703-3900	Ea
Cape Cover Band	0703-3759	Ea
Leather Cape complete with Inner Bib	0703-3755	Ea
Nylon Cape 38"	0703-3751	Ea
Gasket, Inner Frame	0703-3721	Ea
Head Liner Clips (4 per packet)	0703-3416	Pkt
Head Liner Foam Padding	0703-3735	Ea
Head Liner Kit	0703-3734	Ea
Breathing Hose	0703-2021	Ea
Air Inlet Kit	0703-3729	Ea
Visor Kit (includes Hinge and Latch)	0703-3726	Ea
Neck Pad	0703-3516	Ea
Padding Frames, Side (Left and Right)	0703-3731	Ea
Side Padding Covers (5 pairs per pack)	0703-3733	Pkt
Side Padding, Style A, Size 15	0703-3732	Ea
Visor, Inner Lens	0703-3722	Ea
Visor, Outer Lens	0703-3724	Ea
Visor, Tear Off (50 per packet)	0703-3725	Pkt

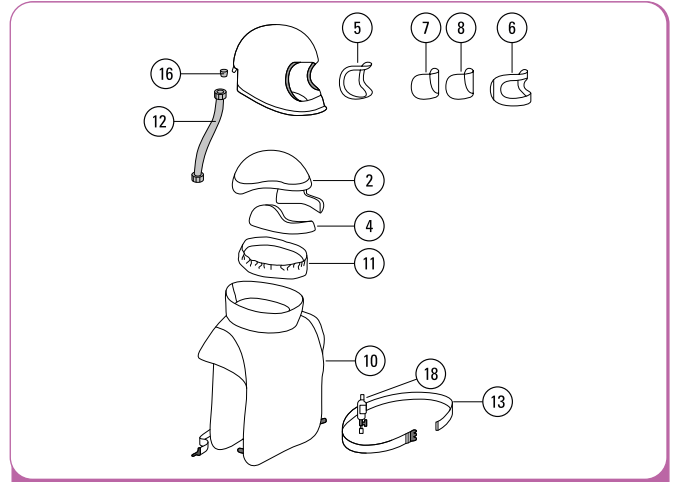
5

Blast Helmets

Problast Spare Parts



PROBLAST HELMET



BREAKDOWN DIAGRAM

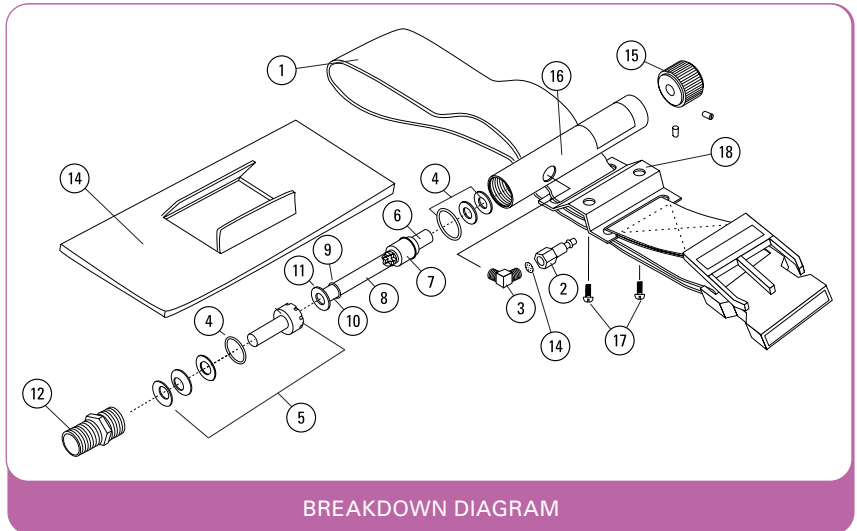
NO	DESCRIPTION	PART NUMBER	QTY
1	Problast Shell Bare	0701-1000	Ea
2	Problast Inner Dome	0701-1010	Ea
3	Problast L.H. Ear Pad	0701-1020	Ea
4	Problast R.H. Ear Pad	0701-1030	Ea
5	Problast Rubber Window Seal	0701-1040	Ea
6	Problast Face Shield	0701-1050	Ea
7	Problast Inner Lens (.75mm)	0701-1060	Ea
8	Problast Outer Lens (.50mm)	0701-1070	Ea
9	Problast Tear Off Lens (pack of 25)	0701-8630	Pkt
10	Problast Vinyl Cape, Complete	0701-1080	Ea
-	Problast Leather Cape, Complete	0701-1090	Ea
11	Problast Inner Cape	0701-1100	Ea
12	Problast Breathing Tube	0701-1110	Ea
13	Problast Air Control Valve including Belt	0701-1120	Ea
-	Problast Cool Air Tube including Belt	0701-1130	Ea
-	Problast Extra Padding Kit	0701-1140	Ea
16	Problast Nipple 3/4 BSP Poly	0701-1170	Ea
17	Problast Face Shield Latch	0701-2452	Ea
18	Problast Filter Silencer	0701-0190	Ea
-	Problast Air Control Valve ONLY	0701-2280	Ea
-	Problast Belt (1.4m)	0701-1190	Ea
-	3/8" Adaptor, for Air Control Valve	0601-0242	Ea

Blast Helmet Accessories

Clemco Cool Air Tube



0702-04410B



BREAKDOWN DIAGRAM

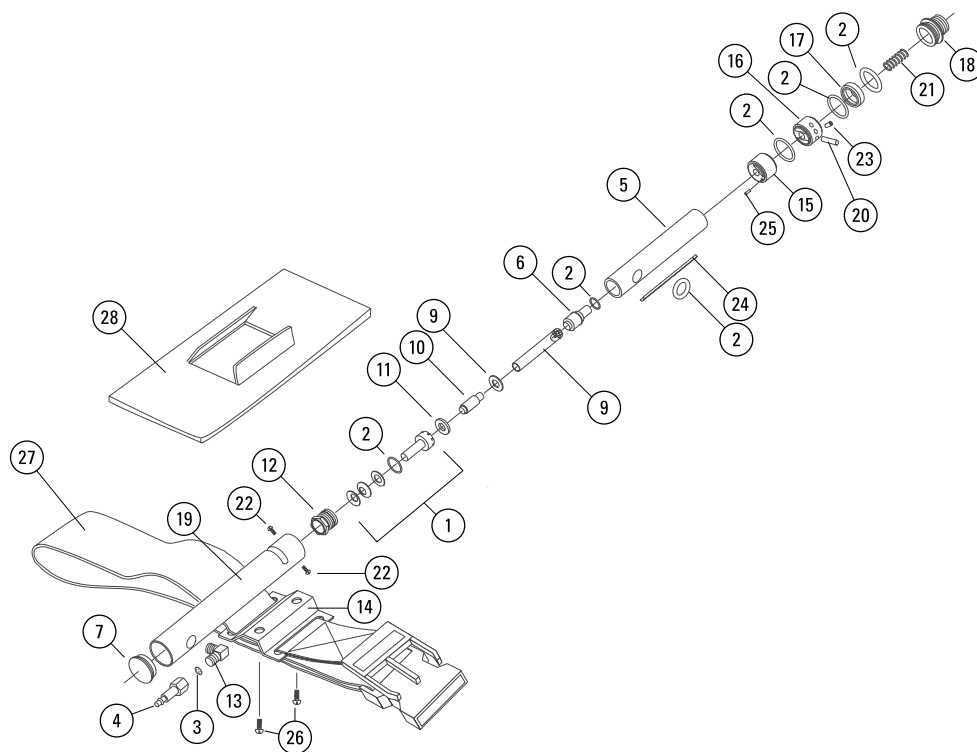
NO	DESCRIPTION	PART NUMBER	QTY
-	Cool Air Tube with Belt	0702-04410B	Ea
-	Coil Air Tube with Belt complete with Certified Fitting	0702-04410BC	Ea
1	Belt	0702-04430	Ea
2	Quick Disconnect NS	-	Ea
3	Elbow, 1/4" Male	0702-08869	Ea
4	Seal Kit (4 O-Rings)*	0702-08870	Ea
5	Cool End Venturi Kit	0702-08871	Ea
6	Valve Stem	0702-08962	Ea
7	Valve Insert	0702-08963	Ea
8	Vortex Tube Assembly	-	Ea
9	Included in Tube Assembly	-	Ea
10	Spacer, Narrow	0702-08966	Ea
11	Tube, Venturi	0702-08967	Ea
12	Spacer, Wide	0702-08968	Ea
13	Helmet Tube Connection NS	-	Ea
14	Screen	0702-08973	Ea
15	Heat Shield	0702-08981	Ea
16	Knob with Set Screws	0702-08985	Ea
17	Body NS	-	Ea
18	Machine Screw, MD. HD. 10-24" x 1/4"	0702-08980	Ea
19	Belt Clip	0702-08974	Ea

* Both items include the Cool-End Venturi O-Ring

5

Blast Helmet Accessories

Clemco Climate Control Tube



BREAKDOWN DIAGRAM

Blast Helmet Accessories

NO	DESCRIPTION	PART NUMBER	QTY
-	Climate Control Tube with Belt	0702-04411	Ea
1	Cool-End Venturi*	0702-08846	Ea
2	Seal Kit (includes all O-Rings and Seals)*	0702-08845	Ea
3	Screen, CAT/CCT 40 Mesh	0702-08973	Ea
4	Quick Disconnect NS	-	Ea
5	Body NS	-	Ea
6	Orifice, Hot-End NS	-	Ea
7	Plug	0702-08827	Ea
10	Spacer, Narrow	0702-08966	Ea
11	Venturi	0702-08967	Ea
12	Spacer, Wide	0702-08968	Ea
13	Threaded Retainer NS	-	Ea
14	Elbow 1/4" Male	0702-08869	Ea
15	Belt Clip	0702-08974	Ea
16	Lower Valve Plate	0702-08830	Ea
17	Upper Valve Plate	0702-08831	Ea
18	Support Washer	0702-08832	Ea
19	Outlet Fitting NS	-	Ea
20	Body Housing NS	-	Ea
21	Control Lever	0702-08835	Ea
22	Spring NS	-	Ea
23	Machine Screw, 6-32" x 1/4" NS	-	Ea
24	Set Screw, 1/4" NC x 1/2" NS	-	Ea
25	Spacer	0702-08836	Ea
26	Pin, Valve Plate NS	-	Ea
27	Machine Screw, 10-24" x 1/2" NS	-	Ea
28	Belt C555	0702-04430	Ea
29	Heat Shield	0702-08981	Ea

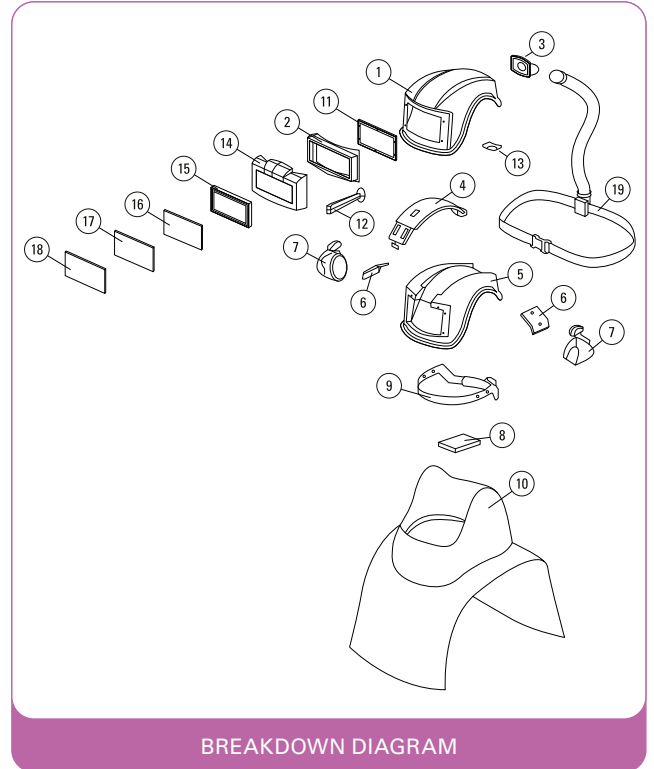
* Both items include the Cool-End Venturi O-Ring



Making sure the Blast Operator is comfortable will ensure that the finished product will meet your expectations.

Blast Helmet Accessories

Silencer Helmet and Protection Suit for Shot Blasting



NO	DESCRIPTION	PART NUMBER	QTY
-	Helmet Silencer, Complete	2602-1000	Ea
6,7	Peltor Optime Assembly III	2602-2022	Ea
9	Headband Assembly	2602-4010	Ea
10	Hood NS	-	Ea
12-14	Visor Frame Assembly	2602-1011	Ea
15	Rubber Gasket for Inner Visor (box of 2)	2602-1050	Ea
16	Inner Safety Visor (box of 20)	2602-1065	Ea
17	Outer Glass Visor (box of 20)	2602-1061	Ea
18	Wire Mesh (box of 20)	2602-1060	Ea
19	Regulator Assembly with Belt NS	-	Ea
20	Protection Suit for Shot Blasting L	2602-6000	Ea
20	Protection Suit for Shot Blasting XL	2602-6001	Ea
20	Protection Suit for Shot Blasting XXL	2602-6002	Ea
-	Screw Set, Complete NS	-	Ea
-	Filter Pads for Regulator (pkt of 6) NS	-	Ea
-	Belt with Coupling NS	-	Ea

Blast Helmet Accessories

Clemco Apollo Helmet Communication Systems



DESCRIPTION	PART NUMBER	QTY
Apollo WiComm-Pro Set includes: 1 x Ultra Light Headset, 1 x Arm Activated Push to Talk Switch, 1 x Portable UHF Band Radio, 1x Battery Charger and Cross Chest Radio Holster	0702-24999	Ea
Apollo WiComm-Pro Set Less Radio includes: 1 x Ultra Light Headset, 1 x Arm Activated Push to Talk Switch, 1 x Portable UHF Band Radio NS	-	Ea
Apollo WiComm-Pro Radio includes: 1 x Motorola CP-2000 (or similar) Radio, 4 Watts, Channel, Programmable Feature Buttons, Busy Channel Lockout, High/Low Power Settings, Repeater/ Talkaround, and Various other Features	0702-21690	Ea
Apollo WiComm-50 Set includes: 1 x Ultra Light Headset, 1 x Arm Activated Push to Talk Switch, 2 x FRS/GMRS Two Way Radios, Batteries, Single Battery Charger	0702-24990	Ea
Apollo WiComm-50 Radio (Sold only in a pair) 2 x Motorola Talkabout (or similar) Two Way Radios, 1 Watt, 22 Channels, 10 Call Tones, NiMH Battery, Single Battery Charger NS	0702-24995	Ea

Clemco Apollo Helmet Communication Systems (Components)

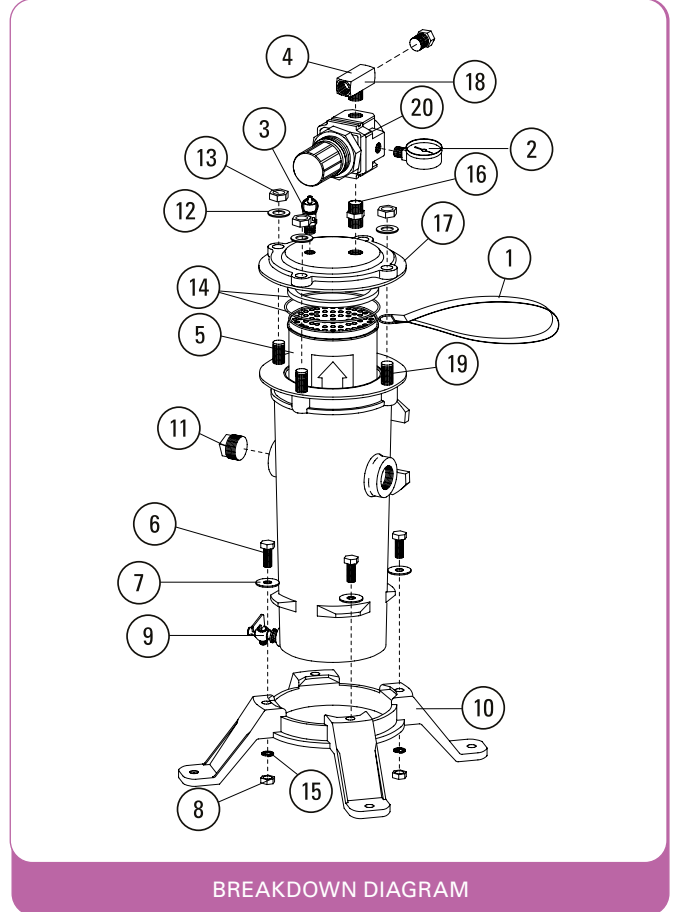


DESCRIPTION	PART NUMBER	QTY
Headset Hanger for DLX Suspension NS	0702-24996	Ea
Headset Ultra Lightweight NS	0702-25000	Ea
Holster NS	0702-24996	Ea
PTT Switch for WiComm-50 Radio NS	0702-25001	Ea
PTT Switch for WiComm-Pro Radio NS	0702-25002	Ea
Throat Mic with Speaker (Universal) NS	-	Ea
WiComm-Pro Rechargeable Battery NS	-	Ea
WiComm-Set without Radio for Customer Supplied Radio (specify radio make and model) NS	-	Ea

5

Breathing Air Equipment

Clemco Helmet Breathing Air Filter CPF 20 (2 Outlet)



5

Breathing Air Equipment

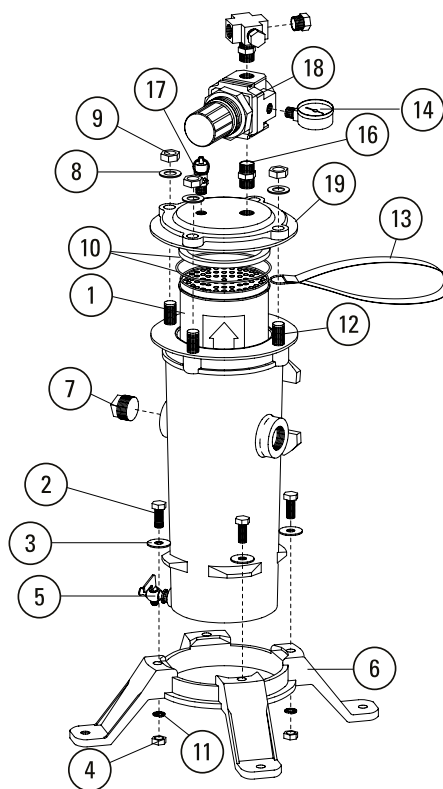
NO	DESCRIPTION	PART NUMBER	QTY
-	CPF-20 Air Filter with Regulator	0702-03580	Ea
1	Handle (Strap)	0702-03623	Ea
2	Pressure Gauge	0702-00024	Ea
3	Pressure Relief Valve	0702-01909	Ea
4	Tee, 3/8" NPT, Male Branch	0702-22843	Ea
5	Filter Cartridge CPF	0702-03547	Ea
6	3/8" NC x 1" Hex Head Cap Screw NS	-	Ea
7	Washer, 3/8" ID x 1-1/4" OD NS	-	Ea
8	3/8"-NC Hex Nut NS	-	Ea
9	1/4" Petcock	0405-01993	Ea
10	Base Bracket	0702-03557	Ea
11	Pipe Plug, 1" NPT NS	-	Ea
13	1/2" NC Hex Nut	0702-03511	Ea
14	Gasket and O-Ring Kit	0702-08942	Ea
15	3/8" Diameter Lock Washer NS	-	Ea
16	Nipple, 3/8" NPT x 2", Brass	0702-03720	Ea
17	Air Filter Cap	0702-03584	Ea
18	Plug, 3/8" NPT, Brass	0702-03536	Ea
19	Stud, Filter Cap NS	-	Ea
20	Pressure Regulator	0702-03582	Ea
21	3/8" BSP Male Ryco Coupling	0601-0241	Ea
22	1" Claw Coupling Type-A	0601-0129	Ea
23	Safety Locking Pin	0503-1319	Ea

Breathing Air Equipment

Clemco Helmet Breathing Air Filter CPF 80 (4 Outlet)



0702-03527



BREAKDOWN DIAGRAM

Breathing Air Equipment

NO	DESCRIPTION	PART NUMBER	QTY
-	CPF-80 Air Filter Assembly	0702-03527	Ea
1	Cartridge, CPF Filter	0702-03547	Ea
2	Cap Screw, 3/8"-NC x 1" Hex Head NS	-	Ea
3	Washer, 1-1/4" OD NS	-	Ea
4	Nut, 3/8"-NC NS	-	Ea
5	Petcock, 1/4"	0405-01993	Ea
6	Base Bracket	0702-03557	Ea
8	Washer, 1/2" SAE Flat NS	-	Ea
9	Nut, 1/2"-NC	0702-03511	Ea
10	Gasket and O-Ring Kit	0702-08942	Ea
11	Washer, 3/8" Lock NS	-	Ea
12	Stud, 1/2"-NC x 2" NS	-	Ea
13	Handle Strap	0702-03623	Ea
14	Pressure Gauge	0702-00024	Ea
16	Nipple, 3/8" NPT Hex NS	-	Ea
17	Relief Valve, 1/4" NPT	0702-01909	Ea
19	Cap, CPF Filter	0702-03584	Ea
20	Plug, 3/8" NPT, Brass	0702-03536	Ea
21	3/8" BSP Male Ryco Coupling	0601-0241	Ea
22	1" Claw Coupling Type-A	0601-0129	Ea
23	Safety Locking Pin	0503-1319	Ea
22	1" Claw Coupling Type-A	0601-0129	Ea
23	Safety Locking Pin	0503-1319	Ea



Clemco's CPF in-line air filters remove moisture, oil, and dirt particles from compressed air before it reaches your respirator.

Breathing Air Equipment

Radex Breathing Air Filter Cartridge



DESCRIPTION	PART NUMBER	QTY
Radex Breathing Air Filter Cartridge, Complete	0704-0112	Ea

Face Masks and Regulators

Sundstrom



2601-6161



2601-1353

DESCRIPTION	PART NUMBER	QTY
Sundstrom SR100 Half Mask - M/L	2601-3217	Ea
Sundstrom SR100 Half Mask - S/M	2601-3218	Ea
Sundstrom SR200 Full Face Mask - PC Visor	2601-4852	Ea
Sundstrom SR200 Full Face Mask - Glass Visor	2601-4213	Ea
Sundstrom SR307 Supplied-Air Regulator	2601-1353	Ea
Sundstrom SR500 - Standard Battery	2601-4997	Ea
Sundstrom SR500 - Heavy Duty Battery	2601-5340	Ea
Sundstrom SR540 Supplied Air Shield	2601-5001	Ea
Sundstrom SR570 Face Shield	2601-6161	Ea
Pre Filter	2601-0027	Ea
SR510 Particle Filter P3	2601-0026	Ea
A1 Filter	2601-1359	Ea
A2 Filter	2601-0023	Ea
ABE1 Filter	2601-1350	Pkt
ABE2 Filter	2601-1354	Ea
ABEK1 Filter	2601-0479	Ea

5



Sundström SR500 Powered Air Purifying Respirator (PAPR)



Sundström SR307 Air Regulator



Sundström Respirators provide clean, safe breathing air with the utmost mobility

Blasting or Painting in Hazardous Areas under cruel Australian weather conditions can turn a difficult job into an almost impossible one.

Thanks to Sundström's range of Helmets, Shields, Respirators and Supplied-Air Regulators; operators can spend more time on the job and less time thinking about their health and comfort being compromised.



Flip-Up Visor



Sound Protector Attachment



Wide Range of Accessories



Three Different Alarm Types



13-Hour Operation Time



Continuous Airflow



Connect Half & Full Face Masks

SR570

SR500

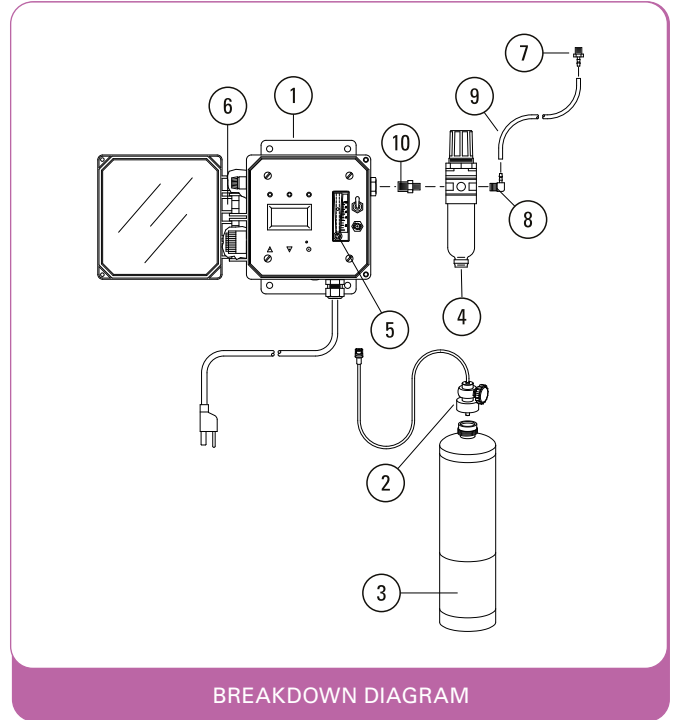
SR307

Conveniently located
across Australia

Find your nearest branch by calling
1300 287 935 or visit us at burwell.com.au

Breathing Air Equipment

Clemco CMS-1 CO2 Monitor (Fixed Installation Model)



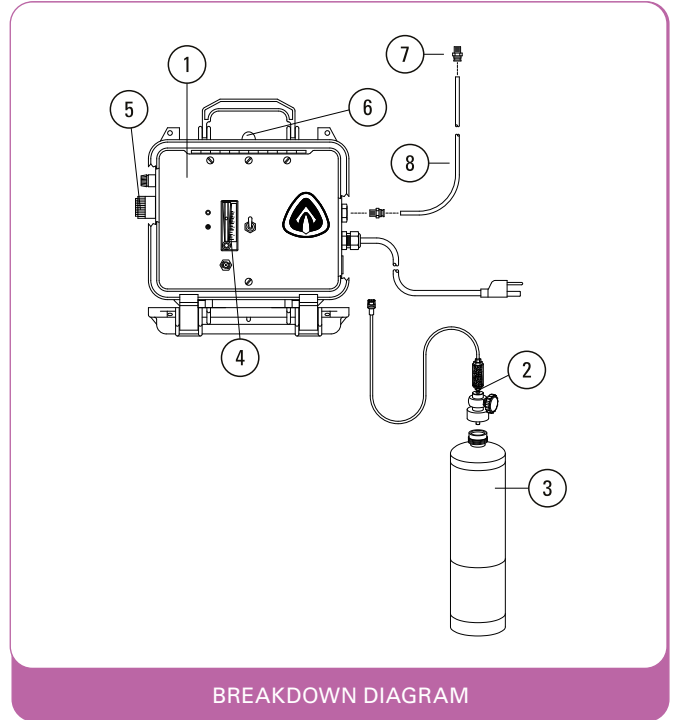
NO	DESCRIPTION	PART NUMBER	QTY
-	CMS-1 CO Monitor Package, includes: Monitor, Calibration Connector 10 PPM Test Gas (12V DC input)	1402-23017	Ea
2	Calibration Connector Assembly NS	2602-23011	Ea
3	Test Gas 10 PPM	1402-22865	Ea
4	Regulator/Filter NS	-	Ea
5	Flowmeter NS	-	Ea
6	Horn with Wire, 12 Volt DC NS	-	Ea
7	Adaptor Straight 1/8" NPT x 1/8" Barb NS	-	Ea
8	Adaptor Elbow 1/8" NPT x 1/8" Barb NS	-	Ea
9	Tubing, Urethane (per foot) NS	-	Ea
10	Reducer, 1/4" x 1/8" NS	-	Ea
-	Sensor (not shown) NS	-	Ea
-	Filter Element (not shown) NS	-	Ea
-	Remote Alarm Kit includes: Alarm NS Stand, Wiring Connector, 50 ft Cord	2602-22909	Ea
-	Cable, Remote Alarm Extension, 50 ft NS	-	Ea

Breathing Air Equipment

Clemco CMS-2 CO2 Monitor (Fixed Installation Model)



1402-25531



BREAKDOWN DIAGRAM

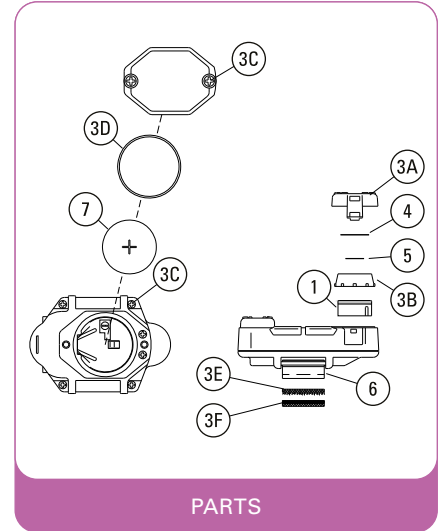
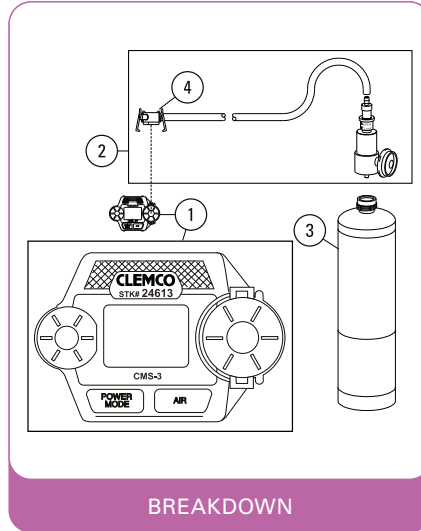
NO	DESCRIPTION	PART NUMBER	QTY
-	CMS-2 CO Monitor Package, includes: Monitor, Calibration Connector and 10 PPM Test Gas (220V AC Input)	1402-25531	Ea
2	Calibration Connector Assembly	1402-22893	Ea
3	Test Gas 10 PPM	1402-22865	Ea
4	Flowmeter NS	-	Ea
5	Horn with Wire, 12 Volt DC NS	-	Ea
6	Alarm Light, Exterior with Wire NS	-	Ea
7	Fitting, 1/4" OD Quick Fit NS	-	Ea
8	Tubing, Urethane (per foot) NS	1402-22919	Ea
-	Sensor (not shown) NS	-	Ea
-	Regulator/Filter (not shown) NS	-	Ea
-	Filter Element (not shown) NS	-	Ea



If CO exceeds 10 ppm, it triggers a warning light, and a high-decibel audible alarm will sound to alert the operator of a potentially deadly working environment.

Breathing Air Equipment

Clemco CMS-3 In-Helmet CO Monitor



NO	DESCRIPTION	PART NUMBER	QTY
*	Package, CO Monitor* CMS-3	2602-24612	Ea
1	Monitor Only, CO Monitor*	2602-24613	Ea
2	Calibration Connector Assembly* NS	2602-24614	Ea
3	Test Gas, 25 PPM CO* NS	2602-25573	Ea
3	Test Gas, Impurity Free NS	-	Ea
4	Calibration Cups	-	Ea

Replacement Parts CMS-3

NO	DESCRIPTION	PART NUMBER	QTY
1	Sensor NS	2602-24616	Ea
2	Service Kit, including Items 3,4,5	2602-24617	Ea
3	Kit, Screws and Seal NS	-	Ea
4	Discs, Sensor Cover (pack of 10) NS	-	Ea
5	Filter, Charcoal (pack of 5) NS	-	Ea
6	Mounting Plate NS	-	Ea
7	Battery Lithium 3V Coin Type NS	-	Ea

5

Certified Breathing Air Hose and Fittings

Certified Breathing Hose

DESCRIPTION	PART NUMBER	QTY
Certified Breathing Hose 10mm	0603-1892	Ea
Certified Breathing Hose 10m complete with Certified Fittings	0603-2425	Ea
Certified Breathing Hose 20m complete with Certified Fittings	0603-2426	Ea
Certified Breathing Hose 30m complete with Certified Fittings	0603-2444	Ea

Certified Breathing Hose Fittings

DESCRIPTION	PART NUMBER	QTY
Coupling - Male 3/8" BSP Thread	0603-1154	Ea
Coupling - Male 1/4" BSP Thread	0603-1152	Ea
Coupling - Female 1/4" BSP Thread	0603-1202	Ea
Coupling - Female 3/8" BSP Thread	0603-1204	Ea
Coupling complete with 3/8" Hose Tail	0603-1004	Ea
Nipple - Fits Coupling, x 3/8" Hose Tail	0603-5004	Ea
Nipple - Fits Coupling, x 1/4" BSP Male Thread	0603-5152	Ea
Nipple - Fits Coupling, x 3/8" BSP Male Thread	0603-5154	Ea
Nipple - Fits Coupling, x 1/4" BSP Female Thread	0603-5202	Ea
Nipple - Fits Coupling, x 3/8" BSP Female Thread	0603-5204	Ea

Brass Nut and Tail Fittings

DESCRIPTION	PART NUMBER	QTY
Nut and Tail 1/4" Tail x 1/4" Nut	0601-0306	Ea
Nut and Tail 3/8" Tail x 1/4" Nut	0601-0165	Ea
Nut and Tail 3/8" Tail x 3/8" Nut	0601-0402	Ea
Nut and Tail 3/8" Tail x 1/2" Nut	0601-0799	Ea
Nut and Tail 1/2" Tail x 1/2" Nut	0601-0067	Ea



Miscellaneous Safety Equipment

Miscellaneous Safety Equipment

DESCRIPTION	PART NUMBER	QTY
Leather/Cotton Heavy Duty Blast Suit (L)	2602-0275	Ea
Leather/Cotton Heavy Duty Blast Suit (XL)	2702-2795	Ea
Heavy Duty Leather Gloves	2602-02243	Pair
Leather Rigger Gloves	2602-7448	Pair
Orange Dipped Gloves, Super Lite	2602-2710	Pair
Stinga Gloves	2602-4143	Pair
Candy Backed Gloves	2602-4177	Pair
Lite-Grip Nitrile Foam on Nylon Liner - S9	2602-6639	Pair
Disposable Vinyl Gloves, Large (pack of 100)	2602-0672	Pkt
Light Weight Disposable Overalls XL	2602-2624	Ea
Light Weight Disposable Overalls 2XL	2602-7295	Ea
P2 Dust Mask with Air Vent (box of 12)	2602-0072	Box
Disposable Dust Mask	2602-1684	Box
Wrap Around Safety Glasses, Clear Lenses	2602-2625	Ea
Wrap Around Safety Glasses, Dark Lenses	2602-1876	Ea
Ear Plugs	-	Box
Cotton Overalls (Orange/Blue)	2602-3852	Ea
Overalls, Hi-Vis with Reflective Tape or/Navy	2602-3955	Ea
Isowipe Alcohol Wipes (pack of 75)	2602-6835	Pkt
Spray Hood	2602-7406	Ea
Glasses, Safety Futura Clear 9000	2602-9000	Ea
Glasses, Safety Futura Smoke 9002	2602-9002	Ea
Clemco Blast Suit (S)	2602-22913	Ea
Clemco Blast Suit (M)	2602-22914	Ea
Clemco Blast Suit (L)	2602-22915	Ea
Clemco Blast Suit (XL)	2602-22916	Ea
Clemco Blast Suit (XXL)	2602-22917	Ea

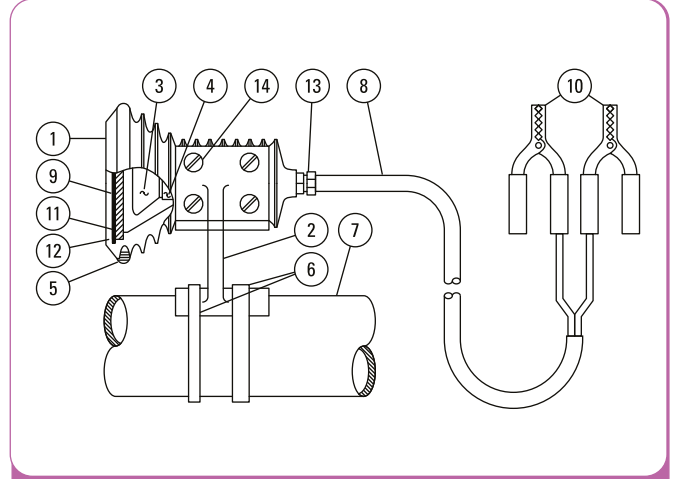


Blast Lights

Blast Lights



0905-75102

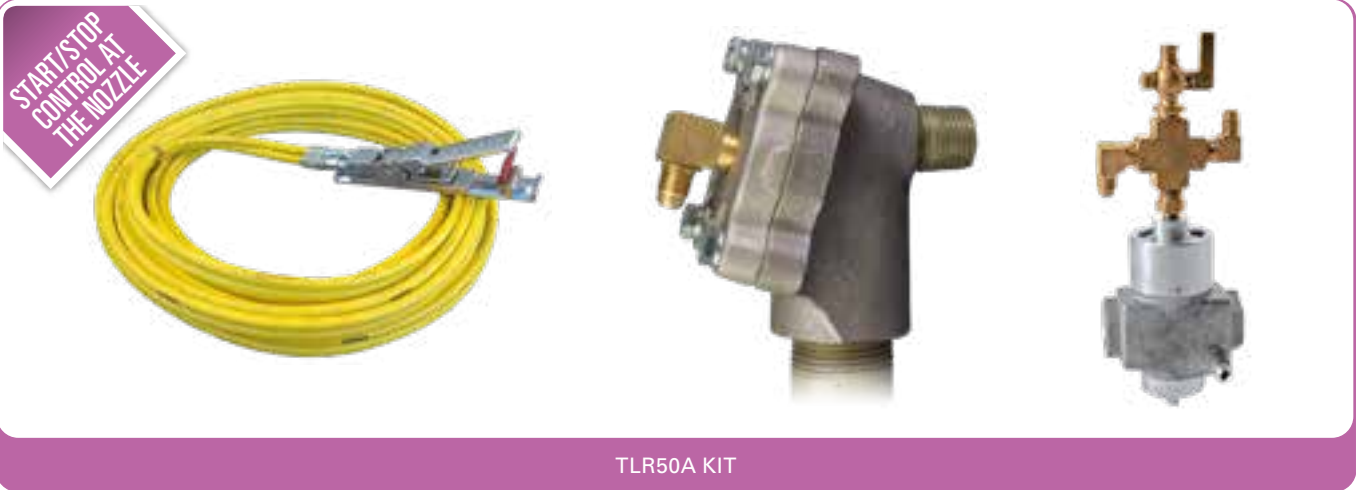


BREAKDOWN DIAGRAM

NO	DESCRIPTION	PART NUMBER	QTY
-	Light, Complete	0905-75102	Ea
1	Lamp Housing	0905-7501	Ea
2	Hose Bracket	0905-7502	Ea
3	Lamp 12 Volt Halogen	0905-7503	Ea
4	Lamp Socket	0905-7504	Ea
5	O-Ring	0304-3006	Ea
6	Hose Clamp	0905-7506	Ea
8	2 Core Cable (25 metres)	0301-2410	Ea
9	Toughened Glass Lens	0905-7509	Ea
10	Clips 12 Volt Battery	0905-7510	Ea
11	Wave Washer	0905-7511	Ea
12	Retaining Spring	0905-7512	Ea
13	Cable Gland	0905-7519	Ea
14	Screw	1206-0962	Ea
-	Prolite Transformer 240V - 12V 80VA includes 4 Outlet Leads (1 Metre) in Full Enclosure and Fused	0905-7516	Ea
-	Prolite Transformer 240V - 12V 60VA includes 2 Outlet Leads (1 Metre) in Full Enclosure and Fused	0905-7517	Ea
-	Prolite Transformer 240V - 12V 40VA includes 1 Outlet Leads (1 Metre) in Full Enclosure and Fused	0905-7518	Ea
-	Prolite complete with Transformer 240V/12V	0905-75108	Ea

Remote Control Systems

Clemco Remote Control System



DESCRIPTION	PART NUMBER	QTY
TLR50A Remote Control Kit (10" Machines) including Inlet Valve, Outlet Valve, Deadman Handle, 25 ft Twinline with all Hoses and Fittings	0401-02518A	Ea
TLR300 Remote Control Kit (16" and 24" Machines) including Inlet Valve, Outlet Valve, Deadman Handle, 50 ft Twinline, Abrasive Trap and all Hoses and Fittings	0402-01936A	Ea
20m Clemco Pneumatic Dual Line Hose complete with Fittings	0401-20525	Ea



The Clemco Remote Control System allows for remote activation and deactivation of an abrasive blast machine - the fail-to-safe system stops blasting if the operator drops or loses control of the handle.

Remote Control Systems

Burwell Control Hose and Fittings

DESCRIPTION	PART NUMBER	QTY
5m Pneumatic Control Hose complete with Trigger and Fittings	0301-9401	Ea
10m Pneumatic Control Hose complete with Trigger and Fittings	0301-9402	Ea
10m Pneumatic Control Hose Extension complete with Fittings	0301-9329	Ea
20m Pneumatic Control Hose complete with Trigger and Fittings	0301-9403	Ea
20m Pneumatic Control Hose Extension complete with Fittings	0301-9339	Ea
20m Pneumatic Control Hose complete with Fittings NS	-	Ea

Burwell Pro Series Electric Deadman Conversion Kits

DESCRIPTION	PART NUMBER	QTY
Pro Series Electric Deadman Remote Control Conversion Kit including Trigger, 25 metre Cable, Solenoid, T-Junction and all parts to Convert Auto Air to Auto Electric to run off Battery Power	0301-1232	Ea
Pro Series Electric Deadman Remote Control Conversion Kit including Trigger, 25 metre Cable, Solenoid, T-Junction and all parts to Convert Auto Air to Auto Electric to run off Battery Power	0301-2432	Ea
Pro Series Electric Deadman Remote Control Conversion Kit including Trigger, Transformer (nominate primary power), 25 metre Cable, Solenoid, T-Junction and all parts to Convert Auto Air to Auto Electric to run off standard Electric power	0301-2422	Ea
Green Enclosed Electric Single Function Deadman Trigger	0301-7381	Ea
Cord Electric, 2 metres (for BPET-1)	0301-0005	Ea
Strain Relief (for BPET-1)	0301-0006	Ea
Toggle Switch (for BPET-1)	0301-0002	Ea
Toggle Boot (for BPET-1)	0301-0003	Ea



PNEUMATIC CONTROL HOSE



0301-7381

Remote Control Systems

Electric Deadman Systems with ACS

DESCRIPTION	PART NUMBER	QTY
12V DC x 25m Extension Cable with Plugs	0301-0323	Ea
24V AC x 25m Extension Cable with Plugs	0301-0233	Ea
RLX Electric Deadman with Dual Function ACS Switch	0402-90889	Ea
Electric Cable complete with Plugs to suit Dual Function ACS Electric Deadman 25m (Cable Only) NS	0301-1325	Ea
Control System for 4 Outlet Electric Deadman with ACS Switch (12V DC) NS	-	Ea
Control System for 4 Outlet Electric Deadman with ACS Switch (24V AC) NS	-	Ea
Control System for 1 Outlet Electric Deadman with ACS Switch (12V DC) NS	-	Ea
Control System for 1 Outlet Electric Deadman with ACS Switch (24V AC) NS	-	Ea

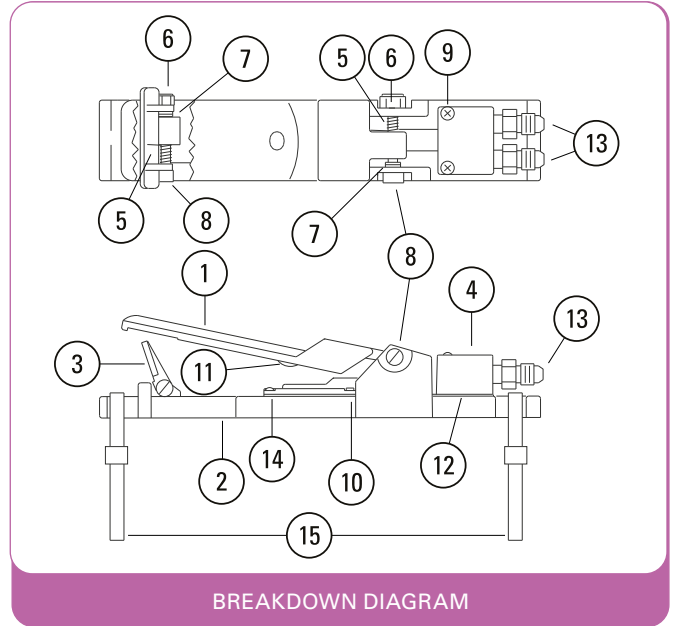


0402-90889

5

Remote Control Systems

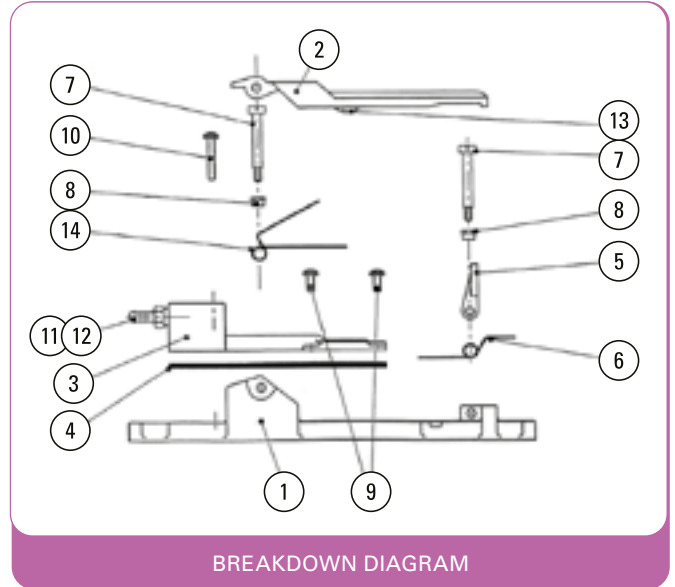
Clemco RLX Pneumatic Remote Control Trigger



NO	DESCRIPTION	PART NUMBER	QTY
-	RLX Pneumatic Control Handle, Complete	0402-10565	Ea
-	RLX Pneumatic Control Handle with ACS Switch	0402-07625	Ea
1	Handle	0402-10573	Ea
2	Body	0402-10568	Ea
3	Lever Lock*	0402-10564	Ea
4	Pneumatic Adaptor	0402-10562	Ea
5	Spring, Lever, 2 required*	0402-05823	Ea
6	Nut, 8-32" Lock S/S, 2 required*	0402-05815	Ea
7	Spacer Washer, S/S, 4 required*	0402-05434	Ea
8	Screw, 3/16" x 1-1/4" Shoulder, 2 required*	0402-05817	Ea
9	Screw, 8-32" x 1" Round Head, 2 required* NS	-	Ea
10	Screw, 4-40" x 3/8" Fillister Head, 2 required* NS	-	Ea
11	Rubber Button Bumper*	0402-05821	Ea
12	Gasket, Pneumatic Adaptor*	0402-10563	Ea
13	Adaptor 1/8" NPT	0404-01940	Ea
14	Screw 8-32" x 3/8" S/S, Round Head, 2 required*	0402-05814	Ea
15	Tie Nylon NS	-	Ea
-	Service Kit includes all with *	-	Ea
-	ACS Optional Switch Assembly	-	Ea

Remote Control Systems

Burwell Pneumatic Remote Control Trigger



NO	DESCRIPTION	PART NUMBER	QTY
-	Pneumatic Deadman Trigger	0301-9304	Ea
1	Trigger Body	0301-9305	Ea
2	Trigger Lever	0301-9306	Ea
3	Pneumatic Manifold	0301-9307	Ea
4	Gasket	0301-9308	Ea
5	Trigger Lever Safety Lock	0301-9309	Ea
6	Spring Safety Lock	0301-9310	Ea
7	Shoulder Screw, M4 x 40	0301-9311	Ea
8	Nyloc Nut, M4	0301-9412	Ea
9	Screw, Phillips HD, M4 x 10	0301-9313	Ea
10	Screw, Phillips HD, M4 x 25	0301-9314	Ea
11	Barbed Hose Tail, 1/8" BSP	0301-9315	Ea
12	Barbed Hose Tail, 1/8" BSP (Restricted)	0301-9316	Ea
13	Rubber Insert	0301-9317	Ea
14	Spring Lever Release	0301-9318	Ea

5

Remote Control Systems

Other Pneumatic Deadman Triggers

DESCRIPTION	PART NUMBER	QTY
Switch, Pneumatic Deadman Complete with 3/16" Barb	0301-1585	Ea
Toggle Boot Westech Pneumatic Deadman Trigger	0301-7821	Ea
Replacement Ball and Chain	-	Ea
G2 Electric Deadman Trigger	0301-3402	Ea
G2 Pneumatic Deadman Trigger	0301-3002	Ea
Green Enclosed Electric Single Function Deadman Trigger complete with Clamps, Plug, Trigger, Ball and Chain	0301-7301	Ea
Green Enclosed Electric Single Function Deadman Trigger	0301-7381	Ea
Enclosed Pneumatic Deadman Trigger	0301-1585	Ea





6

Blast Cabinets

Burwell Blast Cabinets have been at the forefront of blast cabinet technology in the surface preparation industry. There is a wide range of cabinet accessories also available.

Blast Cabinets



1202-4502

Cyclone

Page
6.2



1202-0680

Cyclone

Page
6.2



1203-9123

Pressure Blast Heavy Duty

Page
6.3

CONTENTS

Cyclone	6.2	General Parts (continued)	6.8
Pressure Blast Heavy Duty	6.3	Gun Assembly	6.9
Optional Equipment	6.4	General Cabinet Parts	6.10
Dust Collectors	6.4	Handy Kleen Parts	6.11
Jet Pulse Collector Parts	6.6	Handy Kleen Gun Parts	6.12
General Parts	6.7		

Burwell Blast Cabinets

Cyclone

DESCRIPTION	PART NUMBER	QTY
Handy Kleen Blast Cabinet 750 x 550mm Working Chamber for Low Air Capacity Applications - includes Dust Extraction Unit and Hand Operated Blast Gun	1202-4501	1
Cyclone Blast Cabinet 750 x 550mm Working Chamber - includes Cyclone Reclaimer, 10 Bag 300 CFM Dust Collector, Fluoro Lighting and Hand Operated Blast Gun	1202-4502	1
Foot Operated Tungsten Blast Gun	1202-4503	1
Cabinet 640 x 880mm Working Chamber - includes Cyclone Reclaimer, 20 Bag 300 CFM Dust Collector, Fluoro Lighting and Tungsten Silicon Blast Gun	1202-0680	1
As above including 300 CFM Reverse Pulse Two (2) Cartridge Dust Collector	1202-06807	1
Cyclone Blast Cabinet 900 x 900mm Working Chamber includes Cyclone Reclaimer, 30 Bag 600 CFM Dust Collection, Fluoro Lighting and Tungsten Suction Blast Gun	1202-0990	1
As above including 600 CFM Reverse Pulse Two (2) Cartridge Dust Collector	1202-09907	1
Cyclone Blast Cabinet 900 x 1115mm Working Chamber includes Cyclone Reclaimer, 30 Bag 600 CFM Dust Collection, Fluoro Lighting and Tungsten Suction Blast Gun	1202-9120	1
As above including 600 CFM Reverse Pulse Two (2) Cartridge Dust Collector	1202-91240	1
Cyclone Blast Cabinet 1115 x 1200mm Working Chamber includes Cyclone Reclaimer, 40 Bag 1000 CFM Dust Collection, Fluoro Lighting and Tungsten Suction Blast Gun	1202-11200	1
As above including 1000 CFM Reverse Pulse Two (2) Cartridge Dust Collector	1202-11207	1
Cyclone Blast Cabinet 1200 x 1480mm Working Chamber includes Cyclone Reclaimer, 40 Bag 1000 CFM Dust Collection, Fluoro Lighting and Tungsten Suction Blast Gun	1202-21500	1
As above including 1000 CFM Reverse Pulse Two (2) Cartridge Dust Collector	1202-21507	1
Cyclone Blast Cabinet 1480 x 1480mm Working Chamber includes Cyclone Reclaimer, 40 Bag 1000 CFM Dust Collector and Tungsten Suction Blast Gun	1202-51500	1
As above including 1000 CFM Reverse Pulse Two (2) Cartridge Dust Collector	1202-51507	1

415 OR 240V OPTIONS AVAILABLE UP TO BCBC912. PLEASE SPECIFY GUN COMBINATION SEPARATELY.



Burwell Blast Cabinets

Pressure Blast Heavy Duty

DESCRIPTION	PART NUMBER	QTY
Cyclone Blast Cabinet (for use with steel grit) 900 x 1115mm Working Chamber includes 3 Cartridge 1260 CFM Auto Reverse Pulse Dust Collector, 900mm Cyclone including Rubber Lining and Rubber Lined Elbows, BAEF-1236 Pressure Blast Machine, All Hoses, Interconnecting Ducting etc.	1203-9123	1
Cyclone Blast Cabinet (for use with garnet and glass bead) 900 x 1115mm Working Chamber includes 4 Cartridge 1600 CFM Auto Reverse Pulse Dust Collector, 900mm Cyclone including Rubber Lining and Rubber Lined Elbows, BAEF-1236 Pressure Blast Machine, All Hoses, Interconnecting Ducting etc.	1203-9124	1



NOTE: ACCESS STEP, LIFT UP DOOR, TROLLEY AND TURNTABLE, NOT INCLUDED.



From simple workshop models to large automated cabinets Burwell are able to supply the right equipment for the job, in both Suction and Pressure Blast Options.

Burwell Blast Cabinets

Optional Equipment

DESCRIPTION	PART NUMBER	QTY
Lift Up Door - Manual with Counterweight 99/912	1204-2321	1
Lift Up Door - Manual with Counterweight 1112/1215	-	1
Lift Up Door (For BCBC-99/912)	1204-2317	1
Lift Up Door, Pneumatic Control with Soft Bottom Edge (99/912)	1204-2317	1
Lift Up Door (For BCBC-1112/1215)	-	1
Lift Up Door, Pneumatic Control with Soft Bottom Edge (112/1215)	1204-2327	1
Trolley, Turntable, Tracks - Capacity 100Kg	1204-2330	1
Tumble Basket - Motor Driven (9" Diameter)	1204-2340	1
Tumble Basket - Motor Driven (14" Diameter)	1204-2350	1
Extra Door for Work Access from Both Sides	1204-2360	1
Turntable - 5mm Plate 600mm Diameter	1204-2370	1
Turntable Perf. Mesh 600mm Diameter	1204-2310	1
Turntable Perf. Mesh 900mm Diameter	1204-2311	1
Additional Suction Gun Installed in Cabinet	-	1
300 CFM Noise Attenuator	1204-2312	1
600 CFM Noise Attenuator	1204-2313	1
1000 CFM Noise Attenuator	1204-2314	1

Dust Collectors

DESCRIPTION	PART NUMBER	QTY
300 CFM 10 Bag Cyclone Dust Collector	1301-2310	1
300 CFM 20 Bag Cyclone Dust Collector	1301-2320	1
600 CFM 30 Bag Cyclone Dust Collector	1301-2600	1
1000 CFM 40 Bag Cyclone Dust Collector	1301-2100	1
60 Litre Drum-Type Cartridge Dust Collector 240 CFM	1301-3024	1
200 Litre Drum-Type Cartridge Dust Collector 300 CFM	1301-3030	1
200 Litre Drum-Type Cartridge Dust Collector 600 CFM	1301-3060	1
Free Standing Two Cartridge Dust Collector - includes Reverse Pulse Cleaning and Free Standing 300m Cyclone and 300 CFM Fan	1301-3031	1
300 CFM Two Cartridge Reverse Pulse Dust Collector and Fan (Fan 6" WG) only	1301-3037	1
20L Waste Drum with Lid, 75mm Spigot	-	1
Free Standing Two Cartridge Dust Collector - includes Reverse Pulse Cleaning and Free Standing 450mm Cyclone and 600 CFM Fan	1301-4030	1
600 CFM Two Cartridge Reverse Pulse Dust Collector and Fan (Fan 6" WG) only	1301-7060	1
Free Standing Two Cartridge Dust Collector - includes Reverse Pulse Cleaning and Free Standing 600mm Cyclone and 1000 CFM Fan	1301-4100	1
1000 CFM Two Cartridge Reverse Pulse Dust Collector and Fan (Fan 6" WG) only	1301-5100	1



PROUDLY
AUSTRALIAN
MADE



For high performance blasting efficiency, you can't go past our Blast Cabinets

We can economically tailor a cabinet to meet your specific needs and reduce lead times over custom engineered purpose-built equipment, meeting or accelerating production rates through partial or full automation.

A range of accessories are also available to complement your Cabinet - from Pneumatic Lift-Up Doors to Operator Gloves.



Heavy Duty Steel Material



Large Viewing Window



Safety Switch Doors



Clip-on Abrasive Hopper



Dust/Grit Separator



Range of Accessories



Meets Aust. Standards

SUCTION BLAST

PRESSURE BLAST

Conveniently located
across Australia

Find your nearest branch by calling
1300 287 935 or visit us at burwell.com.au

Burwell Blast Cabinets

Jet Pulse Collector Parts

DESCRIPTION	PART NUMBER	QTY
Cartridge, Hemipleat Tenkay 324mm x 686mm	1302-7001	1
Cartridge, Hemipleat Tenkay 324mm x 864mm	1302-6001	1
Cartridge, Hemipleat Tenkay Open/Closed (Fire Retardant Media)	1302-1003	1
Cartridge, Hemipleat Tenkay Open/Open (Fire Retardant Media)	1302-5003	1
Dust Collector Cartridge - fits BEDC-240	1302-0732	1
Spun Bond Pleatkeeper 130 sq ft	1302-6464	1
Spun Bond (HT) Pleatkeeper 130 sq ft	-	1
Spun Bond (TR) Pleatkeeper 130 sq ft	-	1
Spun Bond (TRHT) Pleatkeeper 130 sq ft	-	1
Spun Bond (BKO) Pleatkeeper 130 sq ft	-	1
Spun Bond (BKOHT) Pleatkeeper 130 sq ft	-	1
Spun Bond Pleatkeeper XL 180 sq ft	-	1
Spun Bond (HT) Pleatkeeper XL 180 sq ft	-	1
Spun Bond (TR) Pleatkeeper XL 180 sq ft	1302-2541	1
Spun Bond (TRHT) Pleatkeeper XL 180 sq ft	-	1
Spun Bond (BKO) Pleatkeeper XL 180 sq ft	-	1
Spun Bond (BKOHT) Pleatkeeper XL 180 sq ft	-	1

HT = HIGH TEMPERATURE 130° TR = TEFLON RESIN IMPREGNATED
 TRHT = TEFLON RESIN IMPREGNATED HIGH TEMPERATURE 130°
 BKO = CARBON IMPREGNATED BKOHT = CARBON IMPREGNATED HIGH TEMPERATURE 130°

6

Burwell Blast Cabinets

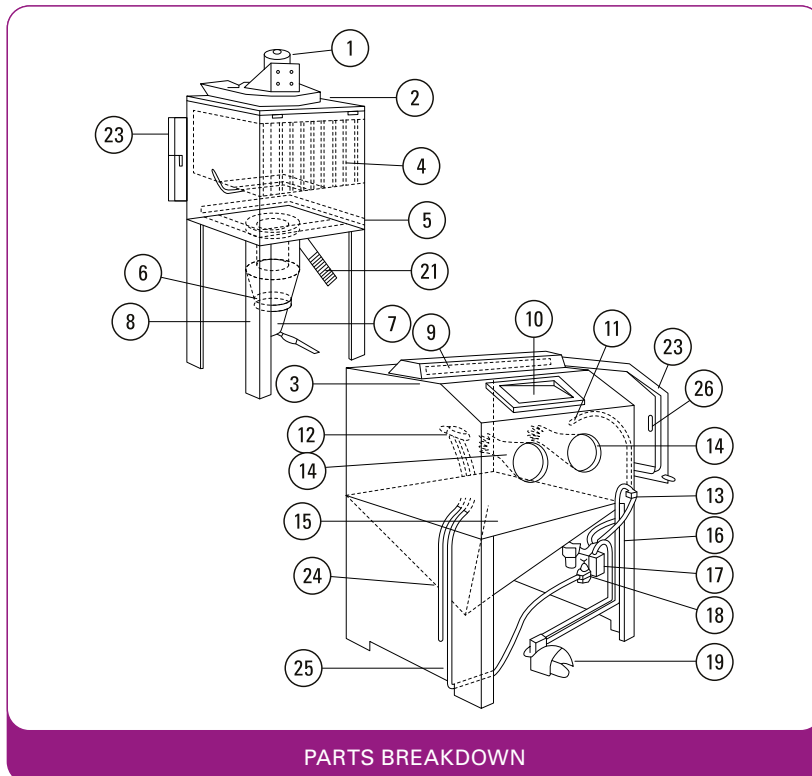
General Parts

NO	DESCRIPTION	PART NUMBER	QTY
1	0.55KW 240V 2800 RPM Fan Motor	1206-1242	1
1	Fan Motor 0.75KW	1206-2311	1
1	Fan Motor 1.1KW	1206-2312	1
1	Fan Motor 1.5KW	1206-2313	1
2	Suction Fan 300 CFM	1206-2321	1
2	Suction Fan 600 CFM	1206-2322	1
2	Suction Fan 1000 CFM	1206-2323	1
3	Air Vent Foam - 830mm x 100mm	1206-2330	1
4	Dust Collector Bags (10 Bags)	1206-2341	1
4	Dust Collector Bags (20 Bags)	1206-2342	1
4	Dust Collector Bags (30 Bags)	1206-2343	1
4	Dust Collector Bags (40 Bags)	1206-2344	1
*5	Dust Tray (State Model)	1206-2350	1
*6	Cyclone Reclaimer 12" Diameter	1206-2361	1
*6	Cyclone Reclaimer 18" Diameter	1206-2362	1
*6	Cyclone Reclaimer 24" Diameter	1206-2363	1
*7	Abrasive Hopper (to Sample)	1206-2347	1
*8	Adjust Abrasive Feed (State Model Number)	1206-7215	1
9	Double Fluoro Lamp 20W 240V	1206-0313	1
9	Double Fluoro Lamp 40W 240V	1206-0355	1
10	Viewing Window and Lamp Glass 600 x 200mm	1206-0320	1
11	Blow Down Gun	1207-2411	1
*12	Abrasive Blast Gun 3/32" x 1/4"	1207-2412	1
*12	Abrasive Blast Gun 5/32" x 5/16"	1207-2413	1
*12	Abrasive Blast Gun 3/16" x 3/8"	1207-2414	1
*12	Abrasive Blast Gun 1/4" x 1/2"	1207-2415	1
*12	Abrasive Blast Gun 1/8" x 5/16"	1207-2416	1
*12	Long Life Boron Carbide Gun 5/16"	1207-2419	1
*12	Long Life Boron Carbide Gun 3/8"	1207-2418	1
*13	Safety Door Switch	1206-2513	1
14	Operators Gloves (Large)	1206-2514	Pair
14	Operator Gloves (Small) 19" Long	1206-2675	Pair
14	Operator Gloves (Small) 24" Long	1206-2526	Pair
14	Operators Gloves Clamps	1206-2515	2
*15	Mesh Floor for BCBC-68	1206-3624	1
*15	Mesh Floor for BCBC-99	1206-3636	1

Burwell Blast Cabinets

General Parts (continued)

NO	DESCRIPTION	PART NUMBER	QTY
*15	Mesh Floor for BCBC-912	1206-3648	1
*15	Mesh Floor for BCBC-1112	1206-4848	1
*15	Mesh Floor for BCBC-1215	1206-4860	1
16	Air Filter 1/2" Supply	0303-2681	1
17	Auto Air Valve 1/2" Supply	1206-2617	1
18	Air Regulator 1/2" Supply	1206-2618	1
*19	Foot Valve 1/2" or 1/8" Supply	1206-2619	1
21	Suction Hose 3"	1206-2621	1m
21	Suction Hose 4"	1206-2622	1m
21	Suction Hose 5"	1206-2623	1m
21	Suction Hose 6"	1206-2624	1m
23	Sealing Foam (State Length) (12mm Wide)	1206-2625	1m
23	Sealing Foam (State Length) (25mm Wide)	1206-2626	1m
24	Abrasive Hose 1/2" (State Length)	1206-7213	1m
25	Air Hose 1/2" (State Length)	0601-0156	1m
26	Door Handle Assembly	1206-0300	1



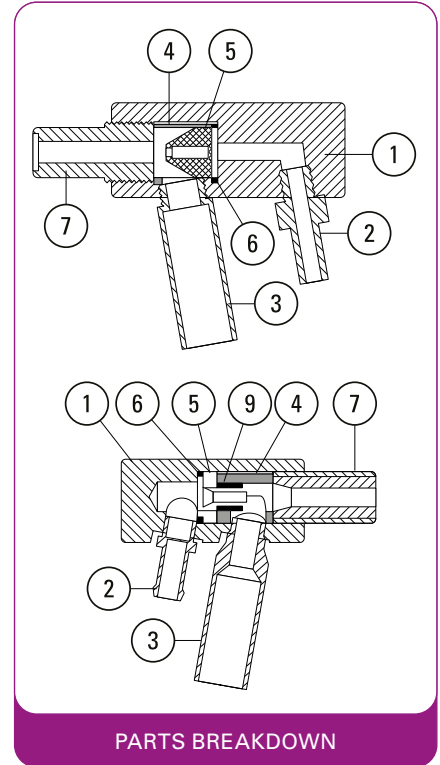
PARTS BREAKDOWN

6

Burwell Blast Cabinets

Gun Assembly

NO	DESCRIPTION	PART NUMBER	QTY
-	Abrasive Blast Gun 3/32" x 1/4"	1207-2412	1
-	Abrasive Blast Gun 5/32" x 5/16"	1207-2413	1
-	Abrasive Blast Gun 3/16" x 3/8"	1207-2414	1
-	Abrasive Blast Gun 1/4" x 1/2"	1207-2415	1
-	Abrasive Blast Gun 1/8" x 5/16"	1207-2416	1
-	Long Life Boron Carbide Gun 5/16"	1207-2419	1
-	Long Life Boron Carbide Gun 3/8"	1207-2418	1
1	Gun Body	1207-1001	1
1	Gun Body (Long)	1207-10015	1
2	Air Inlet Male Tail	1207-1002	1
3	Hose Ferrule	1207-1003	1
4	Jet Sleeve (Hardened Steel)	1207-1004	1
4	Heavy Duty Jet Sleeve (Boron Carbide Gun)	1207-2224	1
5	Air Jet (Hardened Steel) 1/8"	1207-5180	1
5	Air Jet (Hardened Steel) 3/16"	1207-5316	1
5	Air Jet (Hardened Steel) 3/32"	1207-5332	1
5	Air Jet (Hardened Steel) 5/32"	1207-5532	1
5	Air Jet (Hardened Steel) 1/4"	1207-5140	1
5	Heavy Duty Air Jet 5/32" (Boron Carbide Gun)	1207-2235	1
5	Heavy Duty Air Jet 3/16" (Boron Carbide Gun)	1207-2236	1
6	O-Ring	0903-1006	1
7	Nozzle (Tungsten Carbide) 1/8"	0808-1062	1
7	Nozzle (Tungsten Carbide) 3/16"	0808-1063	1
7	Nozzle (Tungsten Carbide) 1/4"	0808-1064	1
7	Nozzle (Tungsten Carbide) 5/16"	0808-1065	1
7	Nozzle (Tungsten Carbide) 3/8"	0808-1066	1
7	Nozzle (Tungsten Carbide) 1/2"	0808-1068	1
7	Nozzle (Boron Carbide) 3/8"	0809-6724	1
7	Nozzle (Boron Carbide) 5/16"	0809-5724	1
9	Rubber Sleeve (per 300mm)	1207-2229	1



NOZZLE/AIR JET COMBINATIONS		
Air Jet	Nozzle	Air Consumption (Air Jet) CFM @80PSI
3/32 (2.38mm)	1/4 (6mm)	18
1/8 (3mm)	5/16 (8mm)	21
5/32 (4mm)	5/16 (8mm)	35
3/16 (5mm)	3/8 (9.5mm)	45
1/4 (6mm)	1/2 (12.5mm)	80

Burwell Blast Cabinets

General Cabinet Parts

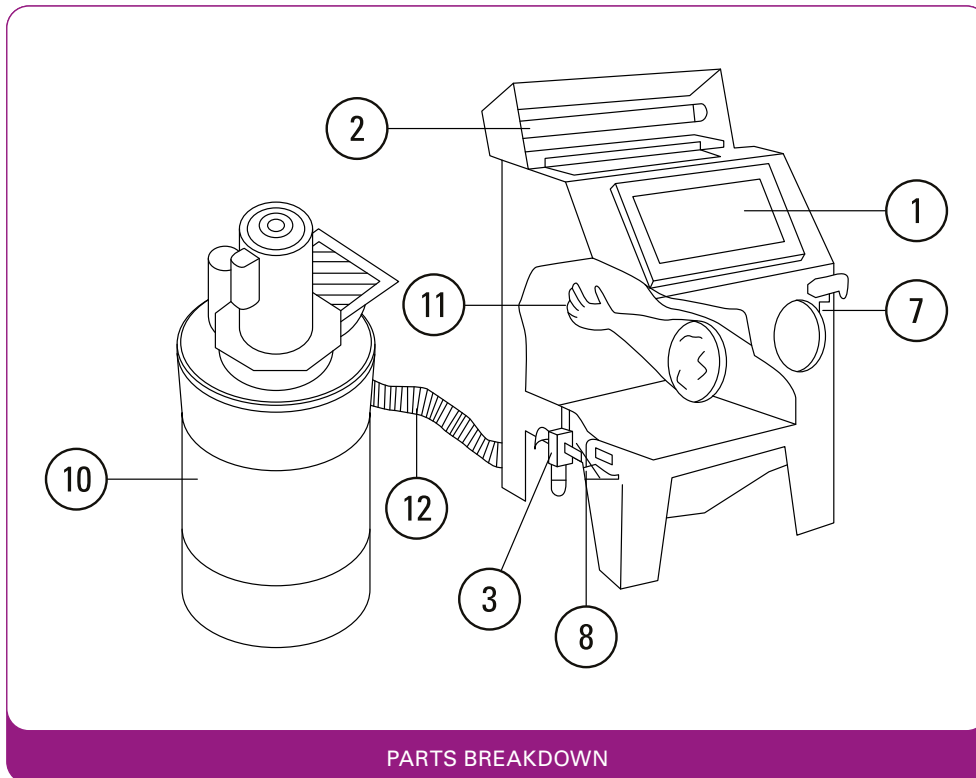
DESCRIPTION	PART NUMBER	QTY
Panic Filter	1302-1380	1
Gasket, Filter Top Plate	1302-2357	1
Valve Coil 25mm 240VAC	1302-0240	1
Valve Coil 25mm 24VDC	1302-0242	1
Diaphragm Valve 25mm - includes 240VAC Coil	1302-0371	1
Diaphragm Valve 25mm - includes 24VDC Coil	1302-0248	1
Remote Diaphragm Valve 45mm	1302-1102	1
Valve Service Kit 25mm	1302-6407	1
Valve Service Kit 45mm	1302-6408	1
Remote Solenoid Enclosure 4 POS - 240VAC	1302-7275	1
Remote Solenoid Enclosure 6 POS - 240VAC	1302-7278	1
Remote Solenoid Enclosure 8 POS - 240VAC	1302-7281	1
Remote Solenoid Enclosure 10 POS - 240VAC	1302-7284	1
Remote Solenoid Enclosure 12 POS - 240VAC	1302-7287	1
Remote Solenoid Enclosure 4 POS - 12VDC	1302-7273	1
Remote Solenoid Enclosure 6 POS - 12VDC	1302-7276	1
Remote Solenoid Enclosure 8 POS - 12VDC	1302-7279	1
Remote Solenoid Enclosure 10 POS - 12VDC	1302-7282	1
Remote Solenoid Enclosure 12 POS - 12VDC	1302-7285	1
Remote Solenoid Enclosure 4 POS - 24VDC	1302-7274	1
Remote Solenoid Enclosure 6 POS - 24VDC	1302-7277	1
Remote Solenoid Enclosure 8 POS - 24VDC	1302-7280	1
Remote Solenoid Enclosure 10 POS - 24VDC	1302-7283	1
Remote Solenoid Enclosure 12 POS - 24VDC	1302-7286	1
Control Board, Card Only 240V IN/OUT	1302-7860	1
Control Board, 240V IN/OUT with Enclosure	1302-7806	1
Control Board, Card Only 240V IN/OUT	1302-7810	1
Control Board, Card Only 240V - 24VDC	1302-7900	1
Control Board, In Enclosure 240V - 24VDC	1302-7901	1
Extender Board 10 outputs 240V - 24VDC	1302-7903	1
Eco Timer Control System 10 outputs with Enclosure, On-Demand Cleaner and Tube Cleaner	1302-7905	1
Card Only 10 outputs Eco System	1302-7907	1

6

Burwell Blast Cabinets

Handy Kleen Parts

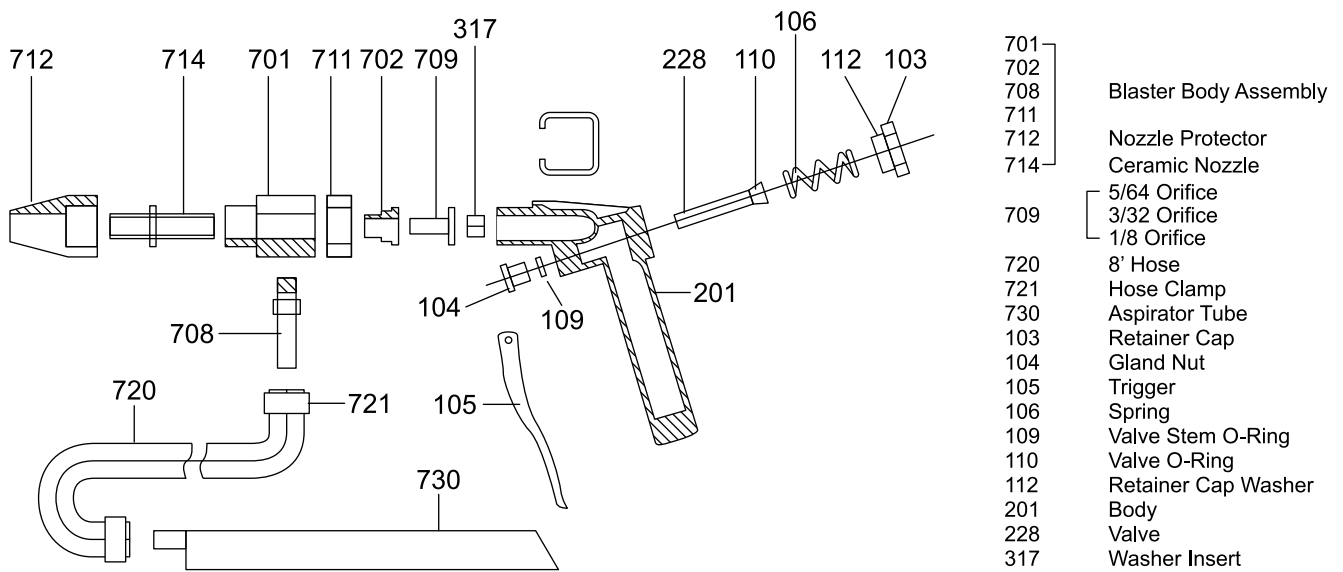
NO	DESCRIPTION	PART NUMBER	QTY
1	Viewing Window and Lamp Glass (Laminated)	1205-0346	1
2	Single Fluoro Lamp 18 Watts	1205-0352	1
3	Combination Regulator/Moisture Trap	-	1
4	Gun Body Assembly (includes 708, 712, 799 & 985)	1207-0377	1
5	Air Jet 1/8"	1207-0378	1
6	Nozzle (Ceramic)	1207-0379	1
7	Safety Door Switch	1206-2513	1
8	Safety Pilot Valve	1205-0349	1
9	Handy Kleen Blast Gun, Complete	1207-0345	1
*10	60 Litre Drum Cartridge Collector		1
11	Operator Gloves (Small) - 19" Long	1206-2675	Pair
-	Operator Gloves (Small) - 24" Long	1206-2526	Pair
12	Suction Hose 3"	1206-2621	1m
-	Dust Collector Cartridge	1302-0732	1
10	60L Drum only	1302-1264	1



Burwell Blast Cabinets

Handy Kleen Gun Parts

DESCRIPTION	PART NUMBER	QTY
Handy Kleen Blast Gun, Complete	1207-0345	1
Gun Body (includes P/N. 701, 702, 708, 711 & 712)	1207-0377	1
Nozzle, Ceramic 1/4"	1207-0379	1
Air Jet, 709	1207-0709	1
Hose, 8"	1207-0720	1
Tube, Aspirator 730	1207-0730	1
Valve, complete with O-Ring 228	1207-0228	1



PARTS BREAKDOWN

6

Notes

A series of horizontal dashed lines for taking notes.



Containment, Dryers and HoldTight

The working conditions for blasting operators can make all the difference. With this in mind, we carry a range of products that can contain hazardous dust, keep the air nice and dry and prevent flash rusting.

Containment, Dryers and HoldTight



1102-3433

Burwell Containment
Sheeting - Scaf-Lite

Page
7.2



1401-3325

Van Air Blast Pak
Systems

Page
7.3



1901-0482

HoldTight 102

Page
7.4

CONTENTS

Burwell Containment Sheeting - Enviroguard	7.2	Van Air Blast Pak Systems	7.4
Burwell Containment Sheeting - Scaf-Lite	7.2	HoldTight 102	7.6
KwikAz	7.4		

Containment

Burwell Containment Sheeting - Enviroguard

DESCRIPTION	PART NUMBER	QTY
Burwell Enviroguard Standard 4m x 50m	1102-3426	Roll
Burwell Enviroguard Standard 2m x 50m	1102-3425	Roll
Flame Proof 2m x 50m	1102-3325	Roll
Flame Proof 4m x 50m	1102-3328	Roll
Delta E-Z Ties	1102-1279	Ea
Screw Loc	1102-1280	Ea
Bungee Tie	1102-0250	Ea
Dust Seal Tape 30m x 48mm (Silver)	1102-1383	Roll
Dust Seal Tape 30m x 72mm (Silver)	3102-7230	Roll
Blast Tape (Black) 48mm x 25m (Tesa)	3102-0238	Roll
Blast Tape (Black) 90mm x 25m (Tesa)	3011-2350	Roll

Burwell Containment Sheeting - Scaf-Lite

DESCRIPTION	PART NUMBER	QTY
Bungee Tie	1102-0250	Ea
Screw Lock	1102-1280	Roll
2m x 45m Roll 180GSM	1102-3433	Roll
4m x 45m Roll 180GSM	1102-3434	Roll
2m x 45m Roll 240GSM	1102-3435	Roll
4m x 45m Roll 240GSM	1102-3436	Roll
2m x 45m Roll 180GSM Flame Retardant	1102-3333	Roll
4m x 45m Roll 180GSM Flame Retardant	1102-3334	Roll
2m x 45m Roll 240GSM Flame Retardant	1102-3335	Roll
4m x 45m Roll 240GSM Flame Retardant	1102-3336	Roll



7



The highest strength, most premium quality containment available on the market

ScafLite has gained a reputation for being one of the few Containment Screens that can act as a Scaffolding Enclosure, Temporary Heating Enclosure while protecting from the elements and providing Environmental and Industrial Coatings Containment.

ScafLite is the fastest installation system on the market today and is available as a Flame Retardant Roll.



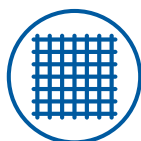
**QUALITY
ACCESSORIES
ALSO
AVAILABLE**



12 Mil and 6 Mil Available



Stops UV Light Coming Through



Extremely High Strength



Heavy, Medium & Light Duty



Fire & Non-Fire Retardant



Fastest Install Time on Market



Very Tough, Tear Resistant

Conveniently located across Australia

Find your nearest branch by calling 1300 287 935 or visit us at burwell.com.au

Containment

KwikAz

DESCRIPTION	PART NUMBER	QTY
Clips KwikAz (Pack of 50)	3011-5006	1
Clips KwikAz (Bucket of 500)	3011-5005	1
Handle KwikAz	3011-5004	Ea



Van Air Blast Pak Systems

DESCRIPTION	PART NUMBER	QTY
Blast Pak - Air Dryer System (FD-250)	1401-3325	1
Blast Pak - Air Dryer System (FD-400)	1401-3340	1
Blast Pak - Air Dryer System (FD-800)	1401-3380	1
Blast Pak - Air Dryer System (FD-1200)	1401-3312	1
Blast Pak - Air Dryer System (FD-1600)	1401-3316	1
Dry-O-Lite Deliquescent Pellets (50lb Bag)	1401-0311	Ea



VAN AIR BLASTPAK SPECIFICATIONS

DIMENSIONS & SPECIFICATIONS								Air Make Consumption cfm	Weight lbs	Dry-O-Lite Qty. Per Unit		
Model No.	A in.	B in.	C in.	In/Out Conn.								
FD-250	77	136	45	122	27	63	1 1/2" NPT	17	660	229	250	114
FD-400	77	136	45	125	26	66	2" NPT	14	700	345	420	181
FD-800	83 3/4	213	54	137	33	84	2" 1/2" NPT	21	1105	524	600	237
FD-1200	88	204	60	153	33	84	2" 1/2" NPT vs 3" NPT Out	25	1325	691	750	345
FD-1600	94 1/2	240	71 1/2	182	43	110	3" NPT	70	1825	850	1000	453

*Model FD-250 is also available with a 12V DC motor.



Dry compressed air is the key factor for superior surface preparation

Blasting contractors know that dry compressed air is key to superior surface preparation. Wet compressed air clogs blast pots, corrodes nozzles, and causes flash rusting.

The BlastPak Series of Air Dryers are a series of five completely portable single tower deliquescent drying packages, engineered specifically for blasting and painting contractors that demand only the very best.

**FEATURING
5 DIFFERENT
AIR DRYER
CAPACITIES**



All-in-One Package



No Electricity Required



Increase Your Productivity



250-1600 SCFM Air Motor



Removable Aftercooler



Lugs & Skid for Portability



Hatch Cover for Desiccant

Conveniently located across Australia

Find your nearest branch by calling 1300 287 935 or visit us at burwell.com.au

HoldTight

HoldTight 102

DESCRIPTION	PART NUMBER	QTY
210L Drum	1901-0481	Ea
20L Drum	1901-0482	Ea
1 Gallon Jug	1901-0483	Ea



HoldTight® 102 completely removes all salts, resulting in no conductivity. It also removes abrasives and debris from the surface's profile providing a better surface area to bond with coating.

7

Notes

A large area of horizontal dashed lines for taking notes.



Nortech Vacuum Systems

The Nortech Range of Vacuums are ideal for facilities with limited compressed air capacity or workspace.

Nortech Vacuum Systems



2501-1513

15 Gallon Complete Vacuum Units

Page **8.2**



2501-6553

55 Gallon Complete Vacuums - Double Venturi

Page **8.3**



2501-6610

Hoses

Page **8.3**

CONTENTS

15 Gallon Complete Vacuum Units	8.2	Filters	8.4
55 Gallon Complete Vacuums - Single Venturi	8.2	Liquid Shut-Offs and Drains	8.5
30 Gallon Complete Vacuums - Single Venturi	8.2	1400 Vac Kit	8.5
55 Gallon Complete Vacuums - Double Venturi	8.4	1410 Vac Kit	8.5
Hoses	8.4		

Complete Units

15 Gallon Complete Vacuum Units

DESCRIPTION	PART NUMBER	QTY
Complete Unit includes 1-1/2" Vacuum Hose and Tools	2501-1513	Ea

55 Gallon Complete Vacuums - Single Venturi

DESCRIPTION	PART NUMBER	QTY
Complete Unit includes 2" Vacuum Hose and Tools NS	-	Ea
Complete Unit includes 1-1/2" Vacuum Hose and Tools NS	-	Ea

30 Gallon Complete Vacuums - Single Venturi

DESCRIPTION	PART NUMBER	QTY
Complete Unit includes 2" Vacuum Hose and Tools NS	-	Ea
Complete Unit includes 1-1/2" Vacuum Hose and Tools	2501-3012	Ea



Easy to maneuver by hand, Nortech Vac Units are perfect for workshops, laboratories etc. or facilities with limited compressed air capacity or limited workspace.



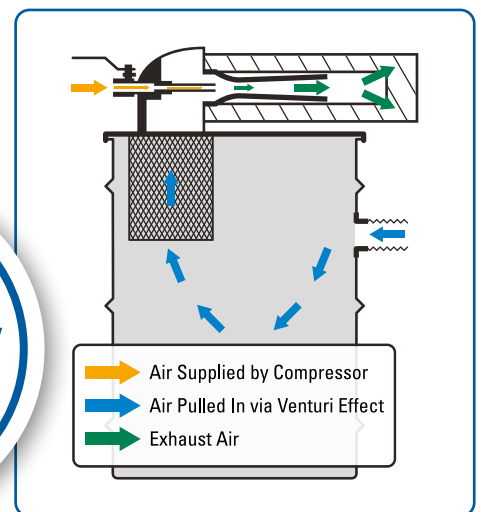
NORTECH
VACUUM PRODUCTS®

NORTECH - the industry leader in Compressed Air Vacuums

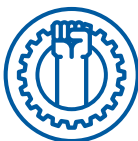
Designed to handle the toughest of cleaning jobs, Nortech Vacuums are ideal for vacuuming up chips, dust, debris, liquids or sludge.

Powered by compressed air; always dependable and trouble free with no motors or moving parts to wear out, the broad range of Nortech Drum Vacuums generate exceptional vacuum lift and vacuum flow while operating quietly, powerfully and efficiently.

**UNMATCHED
IN DURABILITY
& RELIABILITY**



No Electricity
Required



Dramatically
More Powerful



No Moving
Parts



Trouble-Free
No Motors



No Dangerous
Power Cords



Vacuums Almost
Anything



Quiet
Operation

Conveniently located
across Australia

Find your nearest branch by calling
1300 287 935 or visit us at burwell.com.au

Complete Units

55 Gallon Complete Vacuums - Double Venturi

DESCRIPTION	PART NUMBER	QTY
Complete Unit includes 2" Vacuum Hose and Tools NS	2501-6553	Ea
Complete Unit includes 1-1/2" Vacuum Hose and Tools	2501-5522	Ea

Accessories

Hoses

DESCRIPTION	PART NUMBER	QTY
1-1/2" x 20' Heavy-Duty Neoprene Vacuum Hose NS	2501-6610	Ea
2" x 20' Heavy-Duty Neoprene Vacuum Hose	-	Ea

Filters

DESCRIPTION	PART NUMBER	QTY
Standard Cartridge Filter (55 Gallon)	2501-6635	Ea
Absolute Hepa Cartridge Filter (55 Gallon)	2501-6637	Ea
15 Gallon Standard Filter Assembly	-	Ea
Frame for 15 Gallon Standard Filter	-	Ea
Cloth Internal Filter with Gasket for 15 Gallon Vac	-	Ea
Joiner 1-1/2" Vacuum Hose	672	Ea
Standard Filter Cartridge	2501-6635	Ea
Hepa Filter Cartridge	2501-6637	Ea



2501-6553



2501-6610

Accessories

Liquid Shut-Offs and Drains

DESCRIPTION	PART NUMBER	QTY
Liquid Shut-Off Assembly (55 Gallon)	2501-6638	Ea
15 Gallon Liquid Shut-Off Assembly	2501-6090	Ea
Liquid Drain Valve - fits 55 Gallon Drum Lower 2" Bung Hole	2501-6620	Ea

Pneumatic Gun Vacs

1400 Vac Kit

DESCRIPTION	PART NUMBER	QTY
Pneumatic Gun Vac® Vacuum Kit	-	Ea

1410 Vac Kit

DESCRIPTION	PART NUMBER	QTY
Pneumatic Gun Vac® XL Vacuum Kit	-	Ea





Dust Extraction Fans

Our range of Dust Extraction Fans ensure that you have a clean environment to work in. They are suitable for both commercial and industrial use.

Dust Extraction Fans



CONTENTS

Fans.....	9.2	Clamps.....	9.3
Socks.....	9.3	Spares.....	9.3

Burwell Portable Extraction Fans

Fans

DESCRIPTION	PART NUMBER	QTY
Dust Extraction Fan, 5000CFM 2.2kW 240V Electric	1301-5240	Ea
Dust Extraction Fan, 5000CFM 2.2kW 240V Electric, with Castors	1301-5241	Ea
Dust Extraction Fan, 10000CFM 5.5kW 415V Electric	1301-1415	Ea
Dust Extraction Fan, 10000CFM Air Powered	1301-1032	Ea



The Burwell Extraction Fans ensure safety, ventilation and overall job site cleanliness and are suitable for applications that require air/dust particles to be extracted.

Burwell Portable Extraction Fans

Socks

DESCRIPTION	PART NUMBER	QTY
Sock to suit all 5000 CFM Fans, 6m long	1302-1000	Ea
Sock to suit all 10000 CFM Fans, 3m long	1302-6103	Ea
Sock to suit all 10000 CFM Fans, 6m long	1302-6106	Ea

Clamps

DESCRIPTION	PART NUMBER	QTY
Band Clamp to suit 5000 CFM Fans (500mm opening)	1302-2583	Ea
Band Clamp to suit 10000 CFM Fans (610mm opening)	1302-6166	Ea
Band Clamp to suit 5000 CFM Fans (515mm opening)	1302-5156	Ea
Band Clamp to suit 10000 CFM Fans (625mm opening)	1302-6256	Ea

Spares

DESCRIPTION	PART NUMBER	QTY
Impeller to suit 5000 CFM Electric Fan	1302-0837	Ea
Impeller to suit 10000 CFM Electric Fan	1302-6109	Ea





Specialty Products

For those jobs that aren't exactly the norm, we stock a range of Specialty Tools that will fit the bill.

Specialty Products



0901-7210

Suction Can Complete


Page
10.2



0903-0010

MBX Pneumatic / Electric System

Page
10.5



0903-0021

Bristle Blaster Tool and Spares - Electric

Page
10.7



1003-100489

Clemco Power Injection Gun (requires minimum 60cfm)

Page
10.8



1004-01076

Clemco Hollo-Blast (1-1/4" Thread)

Page
10.10



0907-0037

Complete Blast 'n' Vac Units

Page
10.13

CONTENTS

Suction Can Complete.....	10.2	Clemco Power Injection Gun (requires minimum 60cfm).....	10.9
Suction Can Parts	10.2	Related Injection Gun Products	10.9
Burwell Gun Assembly Parts	10.2	Clemco Hollo-Blast Jnr (3/8" Thread).....	10.10
Educt-o-matic Parts.....	10.4	Clemco Hollo-Blast (1-1/4" Thread)	10.11
Educt-o-matic Parts (continued)	10.5	Clemco Spin Blast (1-1/4" Thread).....	10.12
MBX Pneumatic / Electric System	10.6	Clemco Spin Blast Parts.....	10.14
Bristle Blaster Tool and Spares - Pneumatic.....	10.6	Complete Blast 'n' Vac Units.....	10.15
Bristle Blaster Tool and Spares - Electric	10.8		

Burwell Suction Can

Suction Can Complete

DESCRIPTION	PART NUMBER	QTY
Burwell Suction Can, Complete	0901-7210	Ea

Suction Can Parts

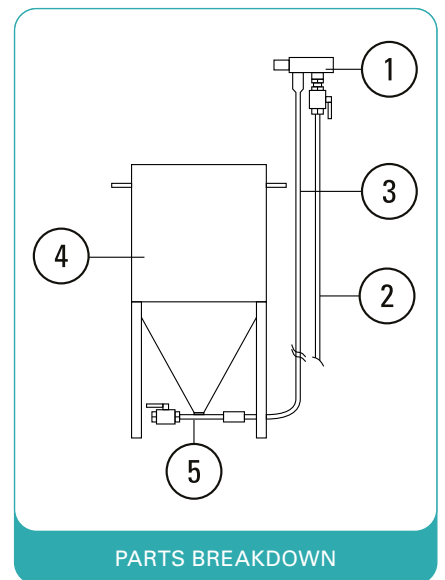
NO	DESCRIPTION	PART NUMBER	QTY
1	Gun Assembly	0903-72101	Ea
2	Air Hose 1/2" (State Length)	0601-0156	1m
3	Abrasive Hose (State Length)	1206-7213	1m
4	Hopper and Feed Assembly, Complete	0903-72104	Ea
5	Adjustable Feed Assembly, Complete	1206-72105	Ea

Burwell Gun Assembly Parts

DESCRIPTION	PART NUMBER	QTY
Aluminium Body	1207-1001	Ea
Red Nipple	0903-0059	Ea
Hose Tail 1/2" x 1/2"	0601-30206	Ea
Hose Ferrule	1207-1003	Ea
Jet Sleeve Hardened Steel	1207-1004	Ea
Air Jet Hardened Steel 1/4"	1207-5140	Ea
Air Jet Hardened Steel 1/8"	1207-5180	Ea
Air Jet Hardened Steel 3/16"	1207-5316	Ea
Air Jet Hardened Steel 3/32"	1207-5332	Ea
Air Jet Hardened Steel 5/32"	1207-5532	Ea
Nozzle Tungsten Carbide 3/16"	0808-1063	Ea
Nozzle Tungsten Carbide 1/4"	0808-1064	Ea
Nozzle Tungsten Carbide 5/16"	0808-1065	Ea
Nozzle Tungsten Carbide 3/8"	0808-1066	Ea
Nozzle Tungsten Carbide 1/2"	0808-1068	Ea
Ball Valve	3005-0001	Ea



0901-7210



PARTS BREAKDOWN



The Suction Can and Gun is a light duty suction type blast unit where limited air supply is available or desirable.



Clemco
Wetblast Flex
System Base Unit

CLEMCO[®]
INDUSTRIES CORP.

Minimise blasting dust with the Clemco Wetblast Flex System

Simply fill your blast machine with dry abrasive, fill the water tank (or connect to a standard municipal water supply), connect compressed air, adjust the metering valve, blast pressure and water pressure. It's that easy.

The FLEX is engineered to provide high performance blasting with maximum dust suppression.

**ADD WET
BLASTING TO
A DRY BLAST
MACHINE!**



The Clemco Wetblast
Injector Unit



Single Air
Connection



Connect to
Tank or Mains



Wet or Dry
Blasting



Safety Cut-Off
System



Water/Abrasive
Mixed at Nozzle



Creates Little
Jobsite Dust



No Need for
Containment

BASE UNIT

INJECTOR UNIT

Conveniently located
across Australia

Find your nearest branch by calling
1300 287 935 or visit us at burwell.com.au

Clemco Educt-o-matic

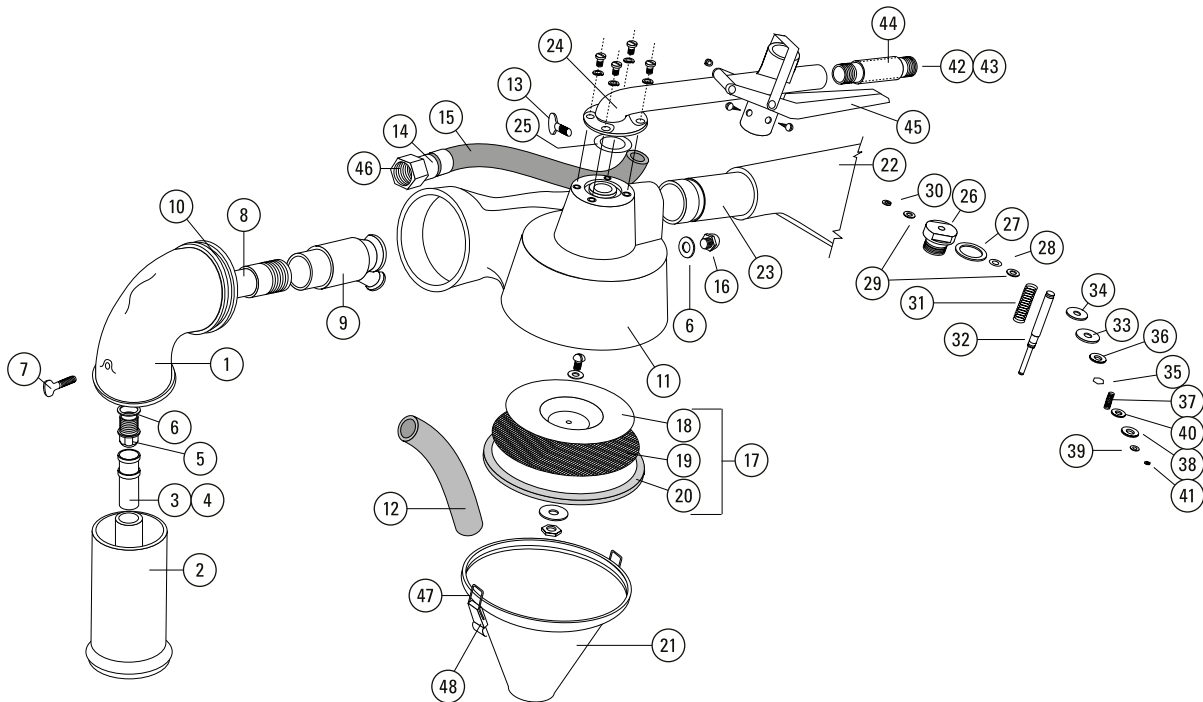
Educt-o-matic Parts

NO	DESCRIPTION	PART NUMBER	QTY
(-)	Educt-o-matic Complete, with Attachments	1002-11462	Ea
(-)	Educt-o-matic Attachment Set	1002-00753	Ea
1	Blast Head	1002-00761	Ea
2	Standard Adaptor	1002-00762	Ea
3	Nozzle 3/8" Carbide	1002-00754	Ea
4	Nozzle 3/8" Steel NS	-	Ea
5	Blast Jet	1002-00765	Ea
6	Jet Gasket	1002-00766	Ea
7	Thumb Screw, 1/4" x 3/4"	1002-03123	Ea
8	Blast Head Nipple 3/8" x 4"	1002-00767	Ea
9	Swivel Connector	1002-00768	Ea
10	O-Ring, Neoprene	1002-00769	Ea
11	Main Body NS	-	Ea
12	Abrasive Hose	1002-00771	Ea
13	Thumb Screw, 10/24" x 1/2" NS	-	Ea
14	Ferrule NS	-	Ea
15	Air Hose Assembly with Ferrule	1002-00775	Ea
16	Suction Jet NS	-	Ea
17	Baffle Assembly NS	-	Ea
18	Baffle (Plastic only) NS	-	Ea
19	Screen	1002-00813	Ea
21	Abrasive Container NS	1002-00818	Ea
22	Dust Bag	1002-00785	Ea
23	Exhaust Tube with Form	1002-00785	Ea
24	Valve Body	1002-00784	Ea
25	O-Ring, BUNA-N	1002-00789	Ea
26	Valve Bushing NS	1002-00786	Ea
28	O-Ring, Neoprene NS	1002-00793	Ea
29	Washer NS	-	Ea
30	Retaining Ring NS	-	Ea
32	Valve Stem	-	Ea
33	Washer BUNA-N	1002-00798	Ea
34	Washer Brass NS	1002-00799	Ea
35	Hex Nut 10-32" NS	-	Ea
36	Washer Brass NS	-	Ea
37	Spring	1002-00803	Ea
38	Washer BUNA-N	1002-00804	Ea

Clemco Educt-o-matic

Educt-o-matic Parts (continued)

NO	DESCRIPTION	PART NUMBER	QTY
39	Eyelet Brass NS	-	Ea
40	Washer Brass NS	-	Ea
41	Retaining Ring NS	-	Ea
42	Nipple and Grip Assembly	1002-00810	Ea
43	Aluminium Pipe Nipple NS	-	Ea
44	Moulded Handle Grip NS	-	Ea
45	Valve Handle/Yolk Assembly	1002-00811	Ea
46	Swivel Nut/Insert Assembly NS		Ea
47	Container Latch Hook NS		Ea
48	Abrasive Container Latch NS		Ea
49	Master Adaptor	1002-00757	Ea
50	Outside-Corner Boot	-	Ea
51	Rough-Surface Boot	-	Ea
52	Inside-Corner Boot	-	Ea
53	Level-Surface Boot	-	Ea



PARTS BREAKDOWN

MBX and Bristle Blasters

MBX Pneumatic / Electric System

DESCRIPTION	PART NUMBER	QTY
MBX Pneumatic, Complete	0903-0010	Ea

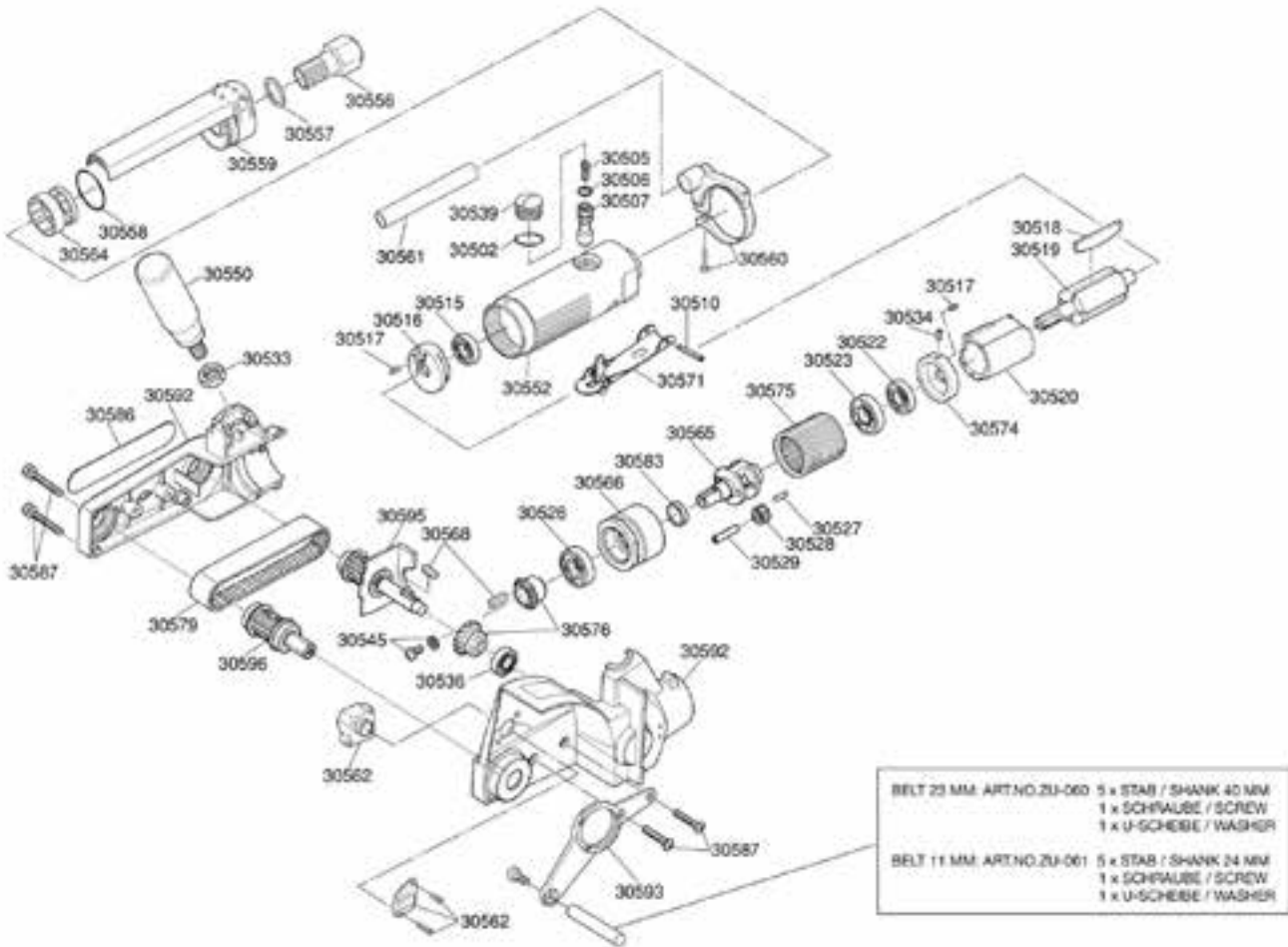


Bristle Blaster Tool and Spares - Pneumatic

DESCRIPTION	PART NUMBER	QTY
Bristle Blaster, Complete - Air	0903-0020	Ea
23mm Wheel	0903-0123	Ea
11mm Wheel	0903-0111	Ea
Rubber Boot for Dust Extractor	0903-2000	Ea
Rotor Blade	0903-0518	Ea
Cylinder	0903-0520	Ea
Housing	0903-0592	Ea
Plastic Label for Housing	0903-0586	Ea
Spindle Sub-Assembly	0903-0596	Ea
Ball Bearing	0903-1003	Ea
Gear Bevel	0903-0576	Ea
Toothed Belt	0903-1079	Ea
Drive Shaft Sub-Assembly	0903-1095	Ea
Accelerator Bar Shank	0903-0060	Ea

10

MBX and Bristle Blasters

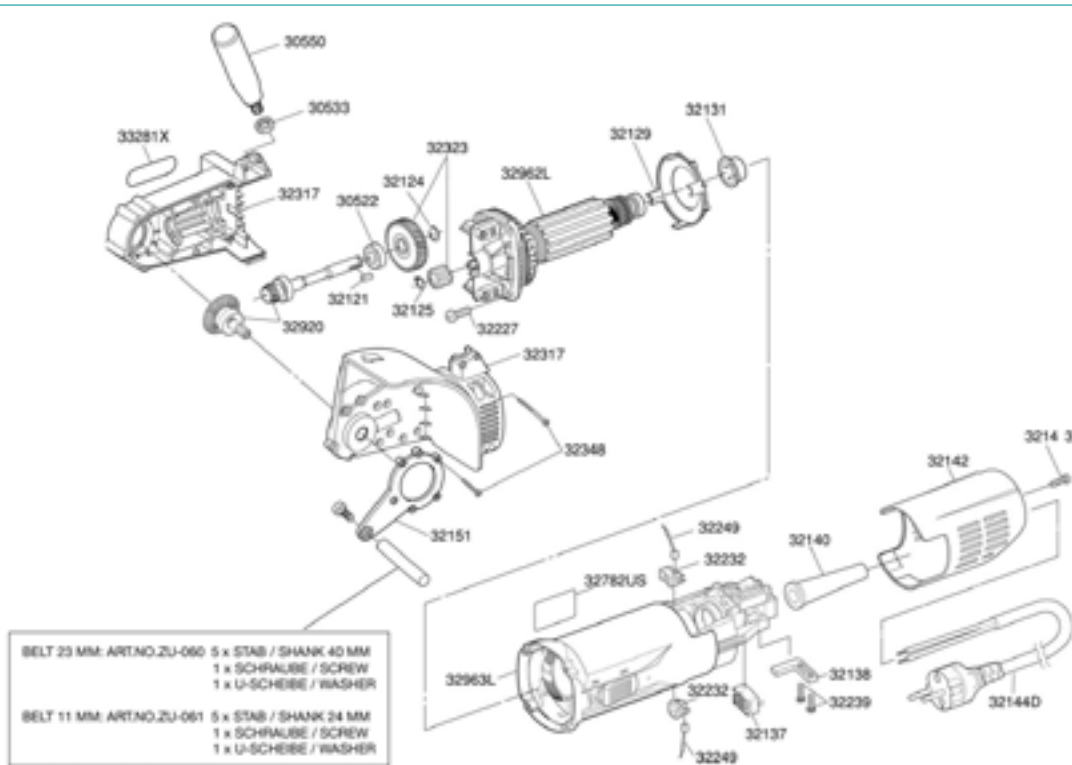


PNEUMATIC SYSTEM SPARES BREAKDOWN

MBX and Bristle Blasters

Bristle Blaster Tool and Spares - Electric

DESCRIPTION	PART NUMBER	QTY
Bristle Blaster, Complete - Electric	0903-0021	Ea
23mm Wheel	0903-0123	Ea
11mm Wheel	0903-0111	Ea
Bevel/Gear Set	0903-2920	Ea
Accelerator Bar Shank	0903-0060	Ea



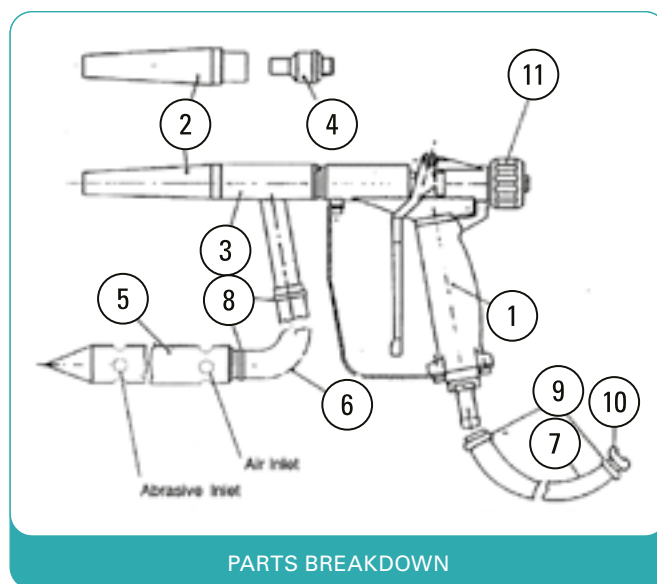
ELECTRIC SYSTEM SPARES BREAKDOWN

10

Clemco Power Injection Gun

Clemco Power Injection Gun (requires minimum 60cfm)

NO	DESCRIPTION	PART NUMBER	QTY
(-)	Universal Wet Power Injection Gun	1003-100489	Ea
(-)	Power Injector Gun Complete, without Cart and Hopper, 5m Hoses	1003-90253D	Ea
1	Body	1003-90208	Ea
2	Nozzle	1003-90209	Ea
3	Mixer	1003-90366G	Ea
4	Orifice	1003-90213	Ea
5	Suction Lance NS	1003-90214D	Ea
7	Air Supply Hose	1003-90045D	1m
8	Clamp 20-32 for Suction Hose	1003-90090	Ea
9	Clamp 25-40 for Air Supply Hose	1003-90077D	Ea
10	Coupling SKG-19	1003-93245D	Ea
11	Hand-Wheel	1003-90584G	Ea



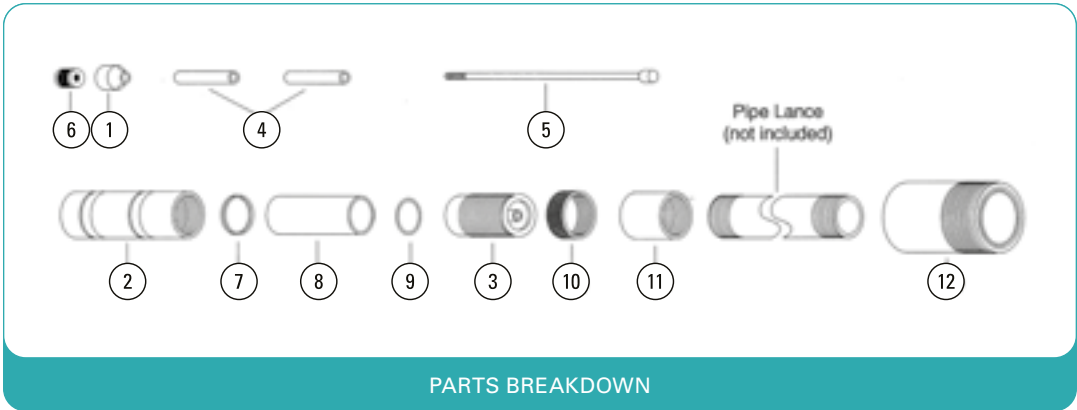
Related Injection Gun Products

DESCRIPTION	PART NUMBER	QTY
1" x 20m Airhose - Fitted	0601-0122	Ea
Small Whip Check	0503-5012	Ea

Internal Pipe Blasters

Clemco Hollo-Blast Jr (3/8" Thread)

NO	DESCRIPTION	PART NUMBER	QTY
-	Hollo-Blast Jr with Reducer including Centrifugal Collar Set for Pipe 3/4" to 2" I.D.	1005-01098	Ea
1	Deflection Tip	1005-01100	Ea
2	Body	1005-01101	Ea
3	Stem Support Assembly (including Item 5)	1005-01102	Ea
4	Stem Sleeve	1005-01105	Ea
5	Thread Rod and Tip Assembly	1005-01162	Ea
6	Throat Rod Nut	1005-01108	Ea
7	Retaining Ring	1005-01109	Ea
8	Nozzle, 9/32" - Tungsten Carbide	1005-01113	Ea
9	Nozzle Gasket	1005-01110	Ea
10	Knurled Lock Nut	1005-01111	Ea
11	Coupling 3/8" Diameter	1005-01112	Ea
12	Reducer	1005-01115	Ea



10

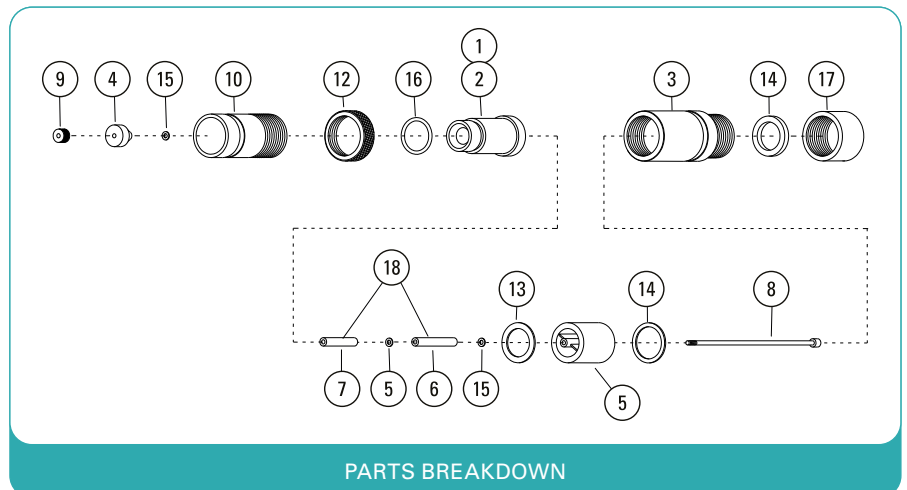
Internal Pipe Blasters

Clemco Hollo-Blast (1-1/4" Thread)

NO	DESCRIPTION	PART NUMBER	QTY
-	Hollo-Blast with 1/2" Nozzle and Tungsten Carbide Tip	1004-01076	Ea
-	HBC-1 Centering Carriage for Pipes 3" to 5" I.D. (Collar and Button Set)	1004-01124	Ea
-	HBC-2 Centering Carriage for Pipes 5" to 12" I.D. (Scissor Type)	1004-01131	Ea
1	Nozzle 1/2"	1004-01406	Ea
2	Nozzle 5/8"	1003-01407	Ea
3	Tool Holder	1004-01079	Ea
4	Tungsten Carbide Deflection Tip	1004-01078	Ea
4	Boron Carbide Deflection Tip	1004-20968	Ea
5	Stem Support Assembly (including Item 8)	1004-01080	Ea
6	Throat Sleeve, Tungsten (Long Sleeve)	1004-01084	Ea
7	Stem Extension Sleeve Tungsten (Short Sleeve)	1004-01085	Ea
8	Throat Rod and Tip	1004-01086	Ea
9	Tip Holding Nut	1004-01089	Ea
10	Tip Protection Sleeve	1004-01090	Ea
11	Threaded Tip Protection Sleeve	1004-01091	Ea
12	Knurled Lock Nut	1004-01092	Ea
13	Stem Support - Front Gasket	1004-01093	Ea
14	Stem Support - Rear Gasket	1004-01094	Ea
15	Washer, Brass	1004-01096	Ea
16	O-Ring, BUNA-N	0405-01097	Ea
17	Coupling, 17/8" x 1-7/16"	1004-01095	Ea
18	Boron Throat Sleeve	0802-20969	Ea
-	1-1/4" Brass Pot Coupling	0503-2127	Ea



1004-01076



PARTS BREAKDOWN

Internal Pipe Blasters

Clemco Spin Blast (1-1/4" Thread)

DESCRIPTION	PART NUMBER	QTY
Small Spin Blast	1006-02601	Ea
<i>For Pipe 8" - 36" I.D. includes 2 x 1/4" Nozzles</i>		
<i>NOTE: Carriage not included</i>		
Large Spin Blast NS	1007-10547	Ea
<i>For Pipe 36" - 60" I.D.</i>		
<i>NOTE: does not include Nozzle or Carriage</i>		
Carriage for Small Spin Blast	1006-03641	Ea
<i>For Pipe 8-17" I.D. (Scissor Type)</i>		
Carriage for Small Spin Blast	1006-04971	Ea
<i>For Pipe 12-36" I.D. (Collar and Leg Set)</i>		
Carriage for Large Spin Blast	1007-10560	Ea
<i>For Pipe 12-60" I.D. (Collar and Leg Set)</i>		
<i>NOTE: Customers should have spare parts kit on hand when using the Spin-Blast</i>		
<i>Spin Blast Spares Kit includes: Rotating Nozzle Head, Brake with Lining, Tube Casting, Bearing Seal, 1-1/4" Rubber-Lined Nipple, 2 x Tube Lock Rings, Double Seal Light Bearings, Tungsten Carbide Washers, 4 x 1" Standard Pipe Plugs, 30 x Leather Seals</i>		
Small Spin Blast Spares Kit	1006-02603	Ea
Large Spin Blast Spares Kit NS	-	Ea





CLEMCO[®]
INDUSTRIES CORP.

Thanks to Clemco, internal pipe blasting is precise, efficient and economical

Clemco Pipe Cleaning Tools help get the job done faster, enhancing productivity and saving money in the process.

Clemco tools are engineered for a wide range of pipe internal diameters and most abrasives.

Each tool handles a specified pipe internal diameter range through the use of various centering devices.

**SUITS PIPE
ID SIZES FROM
3/4" INCH TO
60 INCHES**



Simple to Setup



Pipe Sizes from 3/4" - 60"



Standard Blast Pot Needed



No Need to Rotate Pipe



Helps to Save Money



Uses Common Abrasives



Consistent Finish Created

Conveniently located
across Australia

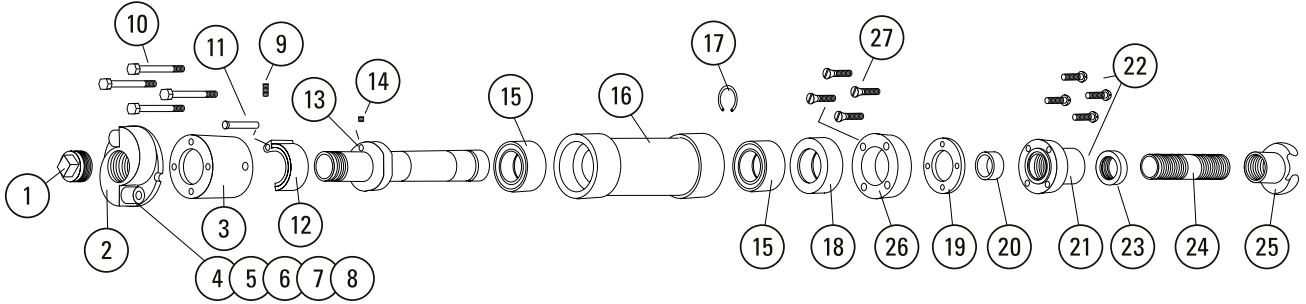
Find your nearest branch by calling
1300 287 935 or visit us at burwell.com.au

Internal Pipe Blasters

Clemco Spin Blast Parts

NO	DESCRIPTION	PART NUMBER	QTY
1	Standard Pipe Plug, 1"	1006-01761	Ea
2	Rotating Nozzle Head (Small)	1006-02604	Ea
3	Brake Housing	1006-02606	Ea
4	SB Nozzle, 1/4" Orifice x 1-3/4" Tungsten	1006-01408	Ea
5	SB Nozzle, 5/16" Orifice x 1-3/4" Tungsten	1006-01409	Ea
6	SB Nozzle, 3/8" Orifice x 1-3/4" Tungsten	1006-01411	Ea
7	SB Nozzle, 5/16" Orifice x 3" Tungsten	1006-01410	Ea
8	SB Nozzle, 3/8" Orifice x 4" Tungsten	1006-01412	Ea
9	Set Screw, 1-4/20" x 1/4"	1006-03071	Ea
10	Screw, Round Head 10-24" x 1-1/2" NS	-	Ea
11	Lock Pin, Brass	1006-02628	Ea
12	Brake, with Lining	1006-02608	Ea
13	Tube (Casting)	1006-02609	Ea
14	Set Screw, 10-24" x 3/16"	1006-03270	Ea
15	Double Seal Bearing	1006-02611	Ea
16	Main Body NS	1007-10899	Ea
17	Tube Lock Ring	1006-02610	Ea
18	Bearing Seal	1006-02613	Ea
19	Leather Dust Seal	1006-02614	Ea
20	Washer, Tungsten Carbide	1006-02616	Ea
21	End Plate, Rear	1006-02615	Ea
22	Screw, Round Head 10-24" x 1"	1006-03891	Ea
23	Hex Nut, Rear Plate	1006-02618	Ea
24	Rubber-Lined Nipple 1-1/4"	1006-02617	Ea
25	Quick Coupling, Threaded (NPS) NS	-	Ea
26	Retainer Ring	1006-10898	Ea
27	Screw, Fit HD 10-24" x 1" NS		Ea
28	Rotating Nozzle Head (Large)	1007-10546	Ea
29	SSR-4 1/4" Orifice NS	-	Ea
30	SR-5 5/16" Orifice	1006-04704	Ea
31	SSR-6 3/8" Orifice	1006-04705	Ea
-	1-1/4" Brass Pot Coupling	0503-2127	Ea

Internal Pipe Blasters



PARTS BREAKDOWN

Blast 'n' Vac

Complete Blast 'n' Vac Units

DESCRIPTION	PART NUMBER	QTY
BNV-6 Workhead Unit B223	-	Ea
BNV-4 Workhead Unit B224	-	Ea
BNV-3 Workhead Unit B225	0907-0037	Ea
BNV-2.5 Workhead Unit B226	0907-0038	Ea
BNV-5 Workhead Unit B228	-	Ea



0907-0037

UHP Water Blasting Turtleskin

TurtleSkin WaterArmor materials are designed specifically to prevent injuries caused by accidental swipes from the extreme cutting power of Ultra High Water Pressure Blasting.

UHP Water Blasting Turtleskin



CONTENTS

Suit Components.....	11.2	Gaiter Replacement.....	11.4
Replacement TurtleSkin Kits.....	11.3	Gauntlet Replacement.....	11.4
Suit Replacement	11.3	Standard Replacement Kits.....	11.4

TurtleSkin Protective Wear



Suit Components

DESCRIPTION	PART NUMBER	QTY
Suit - Single Torso and Chaps	2602-8400	1
Suit - 10 Suits	2602-8410	1
Suit - 20 Suits	-	1
Suit - 50 Suits	-	1
Gaiters - 1 Pair	2602-8405	1
Gaiters - 10 Pair	-	1
Gaiters - 20 Pair	-	1
Gaiters - 50 Pair	-	1
Torso Only NS	2905-8403	1
Chaps NS	-	1
Gauntlet - 1 Pair	2602-8402	1
Gauntlet - 10 Pair	-	1

TurtleSkin Protective Wear



CHAP REPLACEMENT KIT



NO.	DESCRIPTION
1.	Vest Panel
2.	Right Waist Panel
3.	Belt
4.	Right Hip Panel
5.	Right Thigh Panel
6.	Right Knee
7.	Right Shin
8.	Left Waist Panel
9.	Groin Guard
10.	Left Hip Panel
11.	Left Thigh Panel
12.	Left Knee
13.	Left Shin
14.	Right Gaiter Shin
15.	Right Metatarsal
16.	Toe
17.	Left Gaiter Shin
18.	Left Metatarsal
19.	Ankle

PARTS BREAKDOWN

Replacement TurtleSkin Kits

DESCRIPTION	PART NUMBER	QTY
Torso Replacement Kit NS	-	1
Chap Replacement Kit NS	-	1
Gaiter Replacement Kit NS	-	1

Includes all straps, buckles and hardware. Chap Kit does not include belt.

Suit Replacement

DESCRIPTION	PART NUMBER	QTY
Vest Panel	-	1
Left Waist Panel	-	1
Right Waist Panel	-	1
Groin Guard	2602-6892	1
Left Hip Panel NS	-	1
Right Hip Panel NS	-	1
Thigh Panel NS	-	1
Knee	2602-3852	1
Shin NS	-	1
Belt NS	-	1

TurtleSkin Protective Wear

Gaiter Replacement

DESCRIPTION	PART NUMBER	QTY
Left Shin	-	1
Right Shin	-	1
Ankle NS	-	1
Left Metatarsal NS	-	1
Right Metatarsal NS	-	1
Toe NS	-	1

Gauntlet Replacement

DESCRIPTION	PART NUMBER	QTY
Left Forearm Panel NS	-	1
Right Forearm Panel NS	-	1
Left Glove Insert NS	-	1
Right Glove Insert NS	-	1
Gloves NS	-	1

Standard Replacement Kits

DESCRIPTION	PART NUMBER	QTY
Torso Replacement Kit NS	-	1
Chap Replacement Kit NS	-	1
Gaiter Replacement Kit NS	-	1



TurtleSkin WaterArmor ensures a safe work environment by providing swipe protection against high pressure water jetting equipment.



Here's to the end of dragging Blasting and Painting Equipment around a job site

Any surface preparation expert knows about the challenges of moving blasting and painting equipment around an uneven, congested and sometimes dangerous work site.

The Burwell Heavy-Duty Mobile Site Skid is specifically designed at customer request to ensure the utmost safety requirements are met by isolating blast, paint and air treatment equipment on one easy-to-move unit.

PACKED WITH GREAT FEATURES!



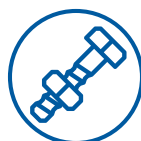
SWL Up To 5 Tonnes



Non-Slip Checkerplate



Safety Hand Railing



Fastenings for Equipment



2 Heavy Duty Forklift Slots



Equipment Baskets



Castings/Lugs for Transport

Conveniently located across Australia

Find your nearest branch by calling 1300 287 935 or visit us at burwell.com.au



Aquamiser UHP

Our self-contained range of Ultra-High Pressure AquaMiser Boss Units means that all you need to supply is water!

Aquamiser UHP



**40K Pump Assembly
(New Style)**


Page
12.4



2905-1000

UHP Hoses

Page
12.6



Gun Parts

Page
12.9

CONTENTS

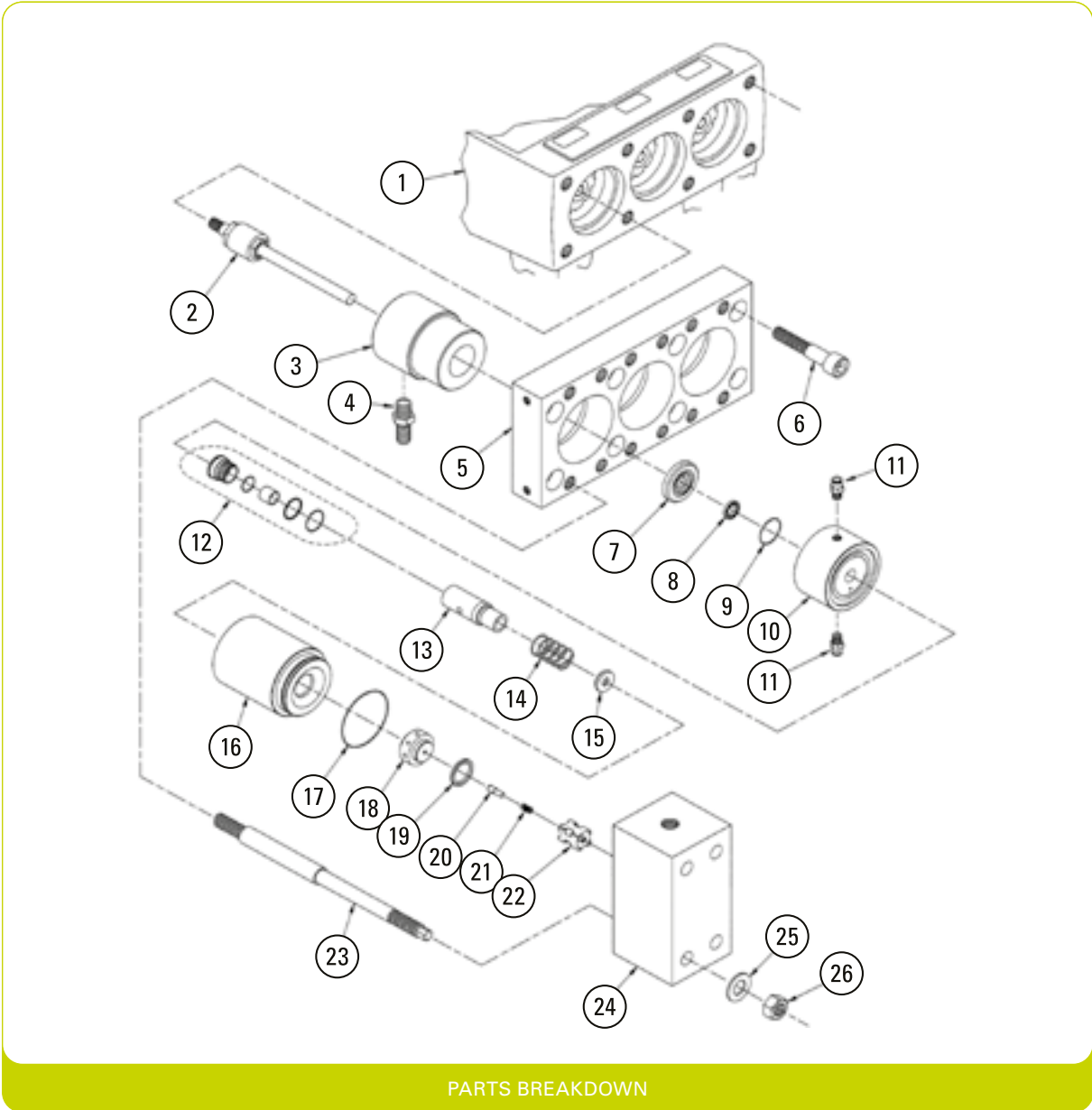
40K Pump Assembly (Old Style).....	12.2	Gun Parts	12.9
40K Pump Assembly (New Style).....	12.4	Gun Parts (continued).....	12.10
Miscellaneous Spares	12.6	Gun Parts (continued).....	12.11
UHP Hoses	12.6	Gun Parts (continued).....	12.12
Dynamic Seal Set	12.8	Gun Parts (continued).....	12.13
Plunger Assembly.....	12.8	Gun Parts (continued).....	12.14
Gun Assembly	12.9	Abrasive Fan Gun and Parts	12.15

40K Pump Assembly

40K Pump Assembly (Old Style)

NO	DESCRIPTION	PART NUMBER	QTY
2	Plunger Assembly	2903-0211	Ea
7,8,9	Guide, Complete	2902-3170	Ea
7	Guide Plunger	2902-3171	Ea
8	Poly Pack	2902-3172	Ea
9	O-Ring	2902-3173	Ea
10	Cylinder Cooling Water NS	-	Ea
12	Dynamic Seal Set	2902-3320	Ea
13	Spacer-Spring-Suit Aquamiser 40K Pump	2902-3323	Ea
14	Spring Suction	2902-0113	Ea
15	Suction Valve	2902-0114	Ea
16	Cylinder UHP NS	-	Ea
17	O-Ring 70-137	2902-0137	Ea
18	Seat, UHP Valve	2902-0218	Ea
19	Seat Valve Seal	2902-0115	Ea
20	Valve Discharge	2902-0319	Ea
21	Spring, Discharge Valve 70320	2902-0320	Ea
22	Guide, Discharge Valve 70316	2902-0316	Ea
23	Stud, 40K 51 Pump Head Chrome Plated 70208	2902-0208	Ea

40K Pump Assembly



PARTS BREAKDOWN

40K Pump Assembly

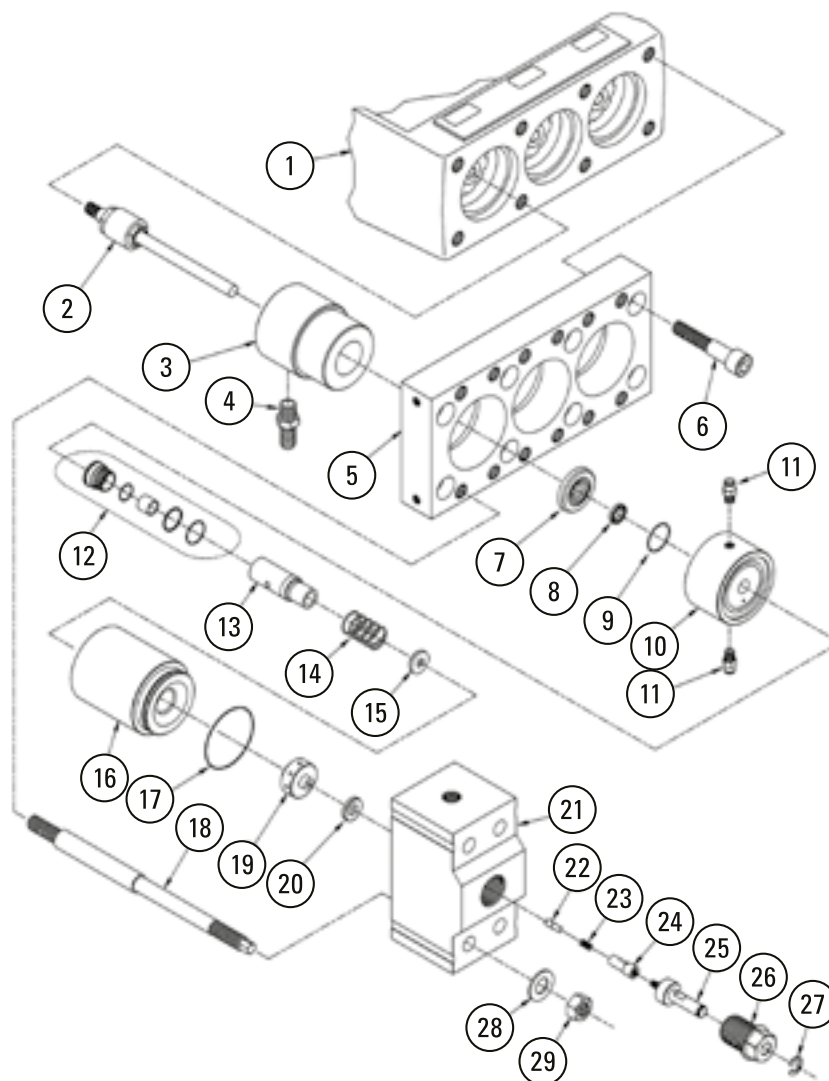
40K Pump Assembly (New Style)

NO	DESCRIPTION	PART NUMBER	QTY
2	Plunger Assembly	2902-0211	Ea
7,8,9	Guide, Complete	2902-0317	Ea
7	Guide Plunger	2902-3171	Ea
8	Poly Pack	2902-3172	Ea
9	O-Ring	2902-3173	Ea
10	Cylinder Cooling Water NS	-	Ea
12	Dynamic Seal Set	2902-0332	Ea
13	Spacer-Spring-Suit Aquamiser 40K Pump	2902-3323	Ea
14	Spring Suction	2902-6113	Ea
15	Suction Valve	2902-6114	Ea
16	Cylinder UHP NS	-	Ea
17	O-Ring 70-137	2902-0137	Ea
18	Stud, 40K 51 Pump Head Chrome Plated 70208	-	Ea
19	Seat, UHP Valve	2902-0218	Ea
20	Seal, Valve Seat	2902-0313	Ea
21	New Head NS	-	Ea
22	Valve, Discharge	2902-0319	Ea
23	Spring, Discharge Valve	2902-0320	Ea
24	Guide, Discharge Valve	2902-0312	Ea
25	Plug, Retaining 70314	2902-0314	Ea
26	Nut, Retaining Plug 70315	2902-0315	Ea
27	Ring, Retaining 70321	2902-0321	Ea



40K PUMP ASSEMBLY

40K Pump Assembly



PARTS BREAKDOWN

Pump Spares

Miscellaneous Spares

DESCRIPTION	PART NUMBER	QTY
Air Fitting T/S Aquamiser (Ferrule 30-2 Suits)	2905-0306	Ea
Seal	2012-0112	Ea
Bushing Intermediate Lance	2903-3281	Ea
Seal, Shroud Bushing	2903-0452	Ea
Switch Break Away	2905-1622	Ea
Disk Rupture 48K for Fan Gun 60-103-3	2902-1033	Ea
Coupling 3/8" HP Suit Cha 600 Cutting Head	2905-0043	Ea
Pulsation Dampener	2905-0158	Ea
Diaphragm Rubber for Pulsation Dampener	2905-1582	Ea
Connector 3-Prong Twist-Lock	0301-9300	Ea
Plug 3-Prong Twist-Lock	0301-9301	Ea
Rotary Pipe Cleaner with Foot Pedal, etc	2905-4035	Ea
Slider Gauge 18024 (for La-Man Filter)	2905-8024	Ea
Plug to suit Rotary Gun 201440	2903-1440	Ea
Tube, High Pressure Discharge E75-1034	2902-1034	Ea
Screw 10-32" x 3/8" SHCS	2905-4512	Ea
Valve, Cartridge	2903-0455	Ea
Filter Primary to suit Aquamiser 115	2905-5005	Ea
Filter Secondary to suit Aquamiser 115	2905-5006	Ea
Air Filter for Old Style Compressor	2905-0329	Ea
Remote Shutdown Assembly 50m Cable	2905-0150	Ea

UHP Hoses

DESCRIPTION	PART NUMBER	QTY
50ft Complete Hose Assembly Rotary Gun	2905-1000	Ea





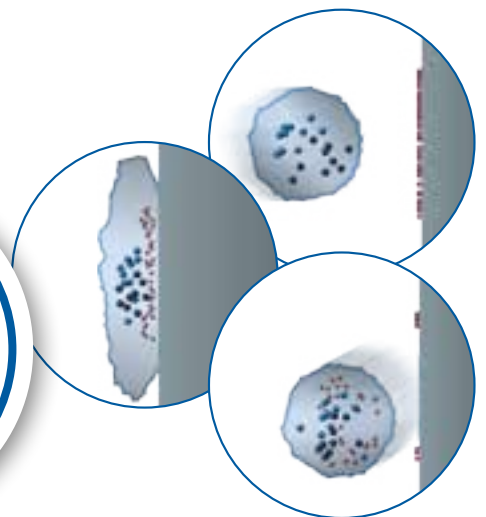
EnviraSponge

Low Dust Advanced Surface Treatment Technology

Clear the air with our EnviraSponge Media Generator and Regrader

Burwell are proud to offer EnviraSponge - the system can be built to meet any specification, where low dust, low rebound and reduced waste is required.

EnviraSponge is an advanced surface treatment technology and is the low dust alternative to conventional abrasives. The EnviraSponge Media Generator is also available in a 45, 100 or 500 litre version.



Captures Dust at the Source



Ideal for Confined Space



Recyclable Material



Improved Visibility



Greater Operator Safety



Enhanced Surface Clean



5-100 Micron SP on Steel

Conveniently located across Australia

Find your nearest branch by calling 1300 287 935 or visit us at burwell.com.au

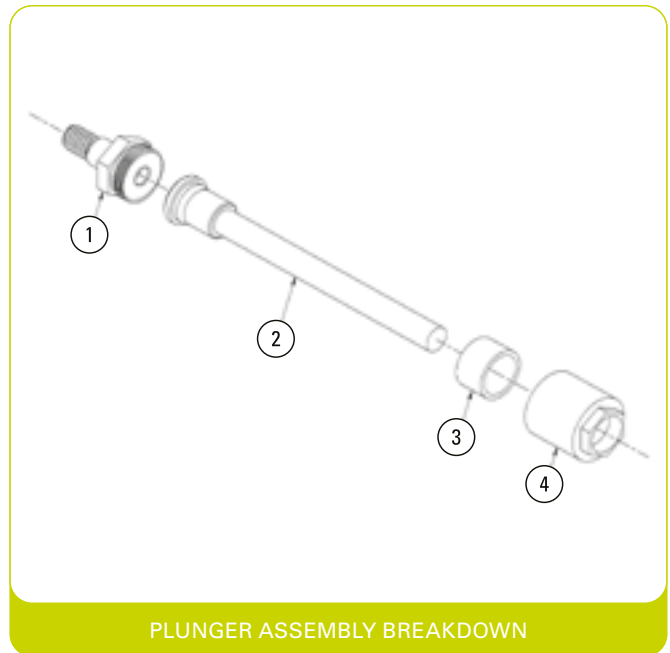
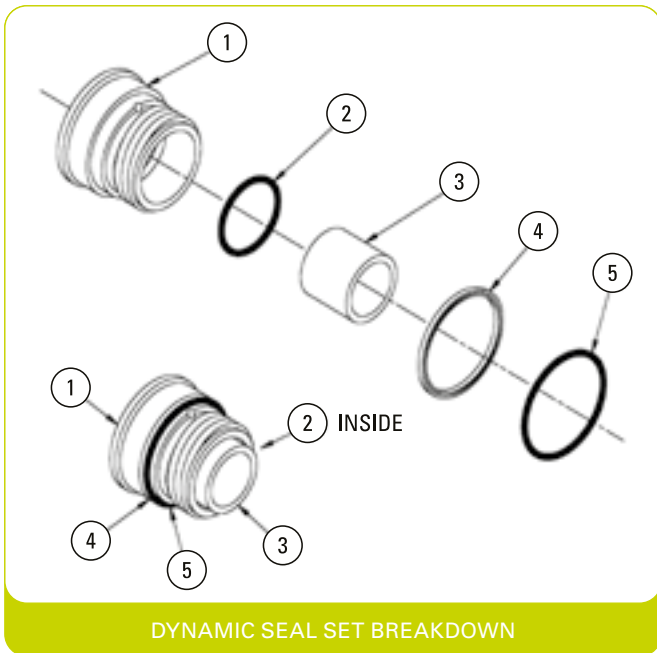
Assembly Breakdowns

Dynamic Seal Set

NO	DESCRIPTION	PART NUMBER	QTY
-	Dynamic Seal Set, Complete	2902-0332	Ea
1	O-Ring Inner 70-332-2	2902-3322	Ea
2	O-Ring Inner Wate-PS-70332-5	2902-3325	Ea
3	Seal 70-332-1	2902-3321	Ea
4	Ring Back-Up 70-332-4	2902-3324	Ea
5	O-Ring Outer 70-332-6	2902-3326	Ea

Plunger Assembly

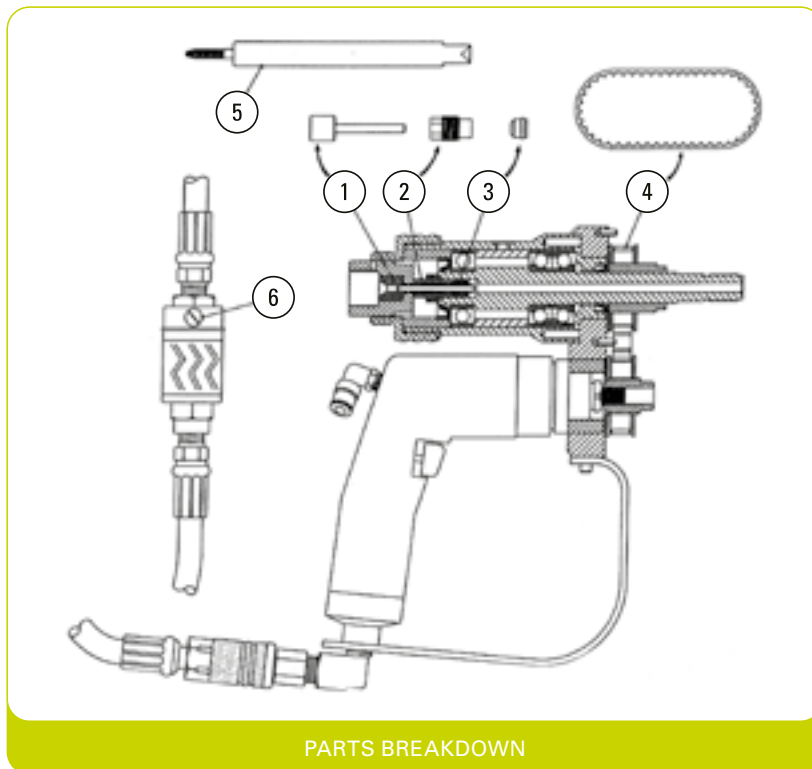
NO	DESCRIPTION	PART NUMBER	QTY
-	Plunger Assembly	2903-0211	Ea
1	Adaptor NS	-	Ea
2	Plunger NS	-	Ea
3	Sleeve NS	-	Ea
4	Cap NS	-	Ea



Jet Stripper

Gun Assembly

DESCRIPTION	PART NUMBER	QTY
Jet Stripper 40K Gun	2903-4004	Ea
Parts Kit for 40-400 Gun Assembly	2903-4007	Ea



Gun Parts

NO	DESCRIPTION	PART NUMBER	QTY
1	Packing Shaft 40-403	2903-0403	Ea
2	Retainer Packing	2903-0405	Ea
3	Seal UHP Swivel	2903-0343	Ea
4	Belt Drive Pulley for Rotary Gun	2903-0335	Ea

Jet Stripper

Gun Parts (continued)

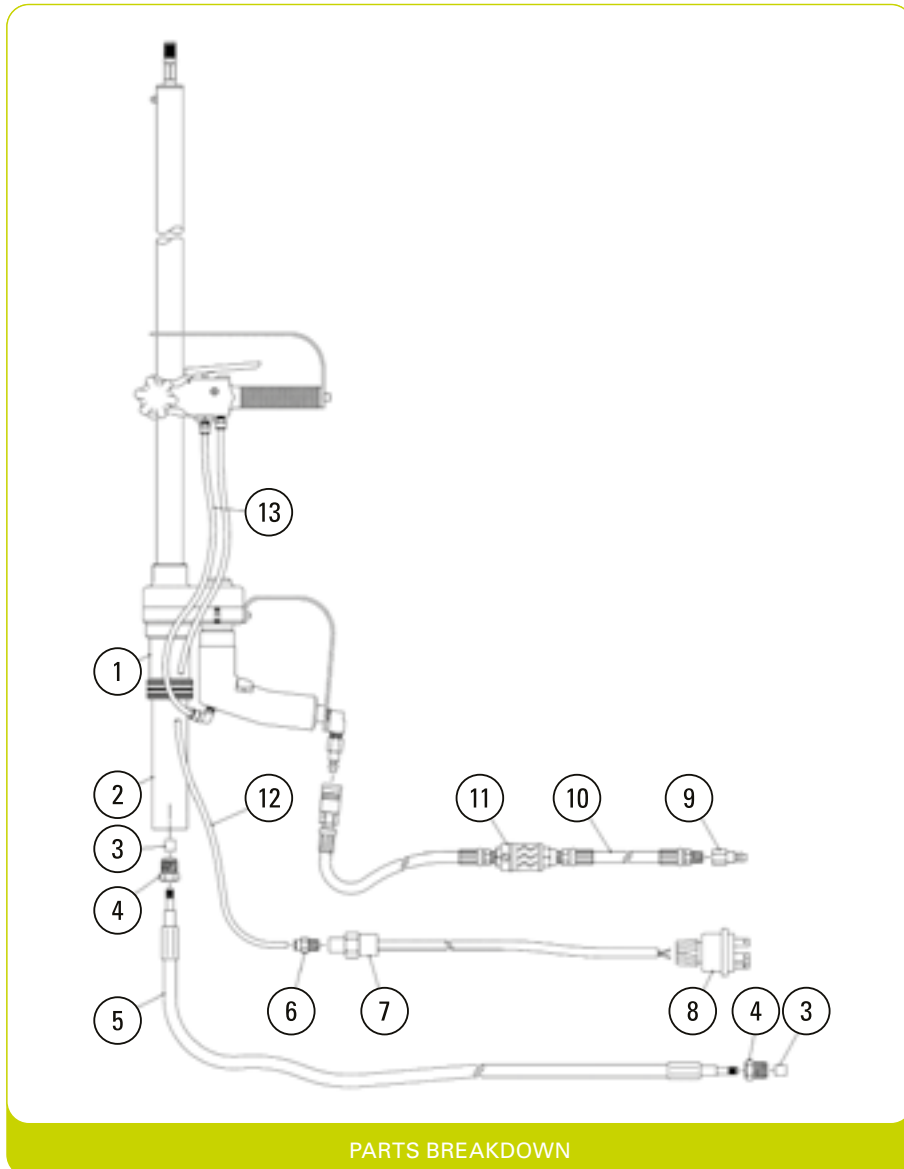


DESCRIPTION	PART NUMBER	QTY
Seat Double	2903-1092	Ea
Guard, 4 Tip Head	2903-1104	Ea
Tip for Rotary Gun 008 20-144-08	2903-4408	Ea
Tip for Rotary Gun 009 2014409	2903-4409	Ea
Tip for Rotary Gun 010 2014410	2903-4410	Ea
Tip for Rotary Gun 012 20-144-12	2903-4412	Ea
Tip for Rotary Gun 013 2014413	2903-4413	Ea
Tip for Rotary Gun 014 20-144-14	2903-4414	Ea
Tip for Rotary Gun 015 2014415	2903-4415	Ea
Tip for Rotary Gun 016 20-144-16	2903-4416	Ea
Tip for Rotary Gun 017 2014417	2903-4417	Ea
Tip for Rotary Gun 018 20-144-18	2903-4418	Ea
Tip for Rotary Gun 019 20-144-19	2903-4419	Ea
Tip for Rotary Gun 021 20-144-21	2903-4421	Ea
Tip for Rotary Gun 021 20-144-23	2903-4423	Ea
Tip for Rotary Gun 025 20-144-25	2903-4425	Ea
Tip for Rotary Gun 028 20-144-28	2903-4428	Ea
Tip for Rotary Gun 030 20-144-30	2903-4430	Ea

Jet Stripper

Gun Parts (continued)

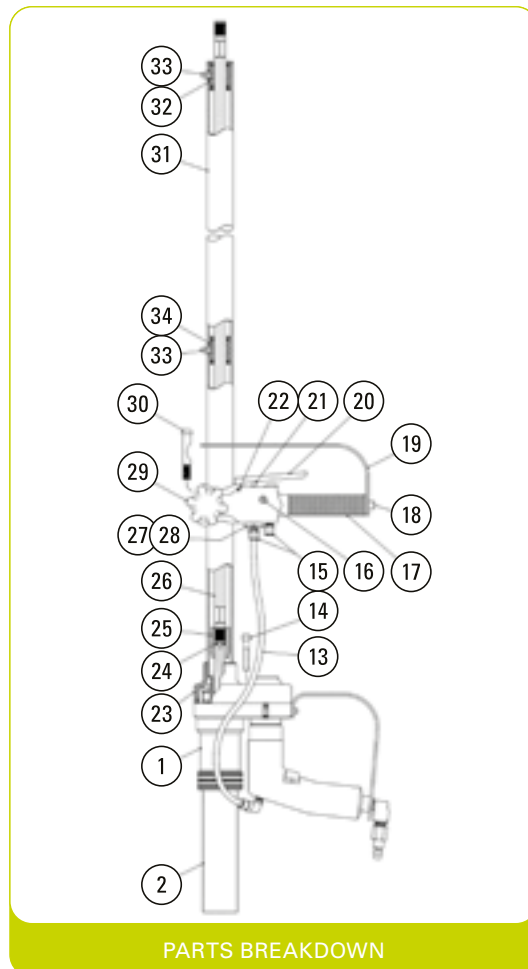
NO	DESCRIPTION	PART NUMBER	QTY
3	Collar, 3/8" HP NS	-	Ea
4	Gland Nut, 3/8" HP NS	-	Ea
5	Hose 40K psi 6 x 6 Male 150 LG 12.5'	2903-0016	Ea
7	Switch-Pressure with Cord for Fan Gun	2903-0458	Ea
11	Oiler, 201 30-4	-	Ea
12	Tubing Nylon Yellow 1/4" (per foot)	2903-0141	Ea



Jet Stripper

Gun Parts (continued)

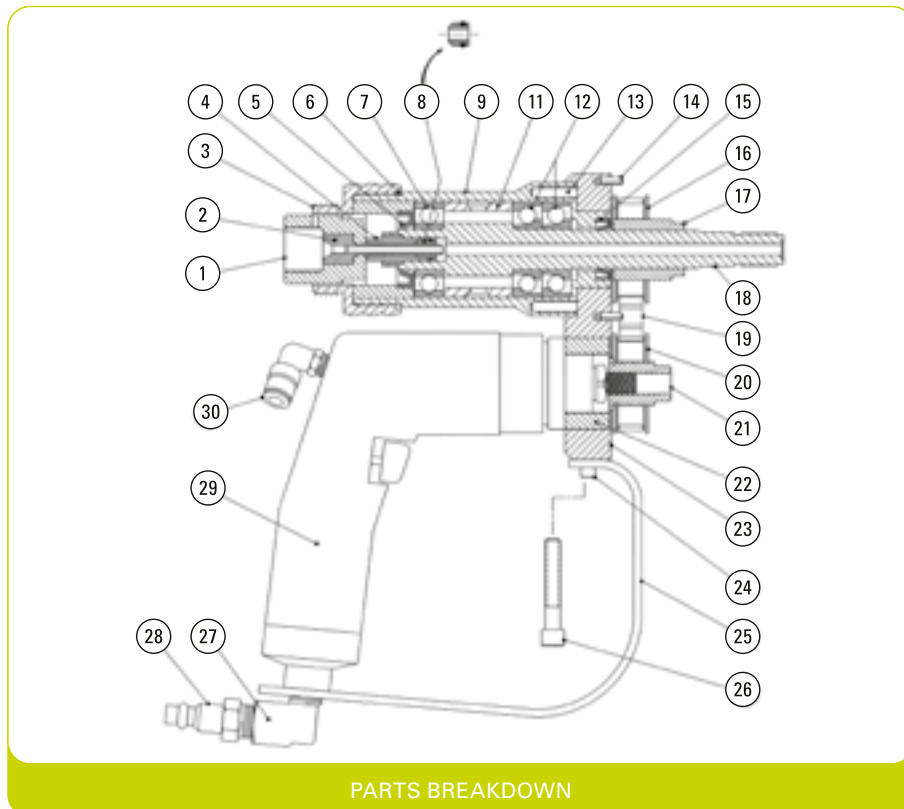
NO	DESCRIPTION	PART NUMBER	QTY
13	Tubing Nylon Yellow 1/4" (per foot)	2903-0141	Ea
21	Valve, Cartridge	2903-0455	Ea
23	Box, Drive 40-409	-	Ea
24	Seat Double	2903-1092	Ea
25	Lance Coupling for Rotary Gun	2903-0416	Ea
26	Button Lance to suit Rotary Gun	2903-0415	Ea
26	Lance, Button x 31" (Nominal)	2903-1531	Ea
31	Cover, Lance x 31" (Nominal)	2903-1431	Ea
32	Bushing, Shroud Assembly (End) - suits Rotary Gun 40-328	2903-0328	Ea
33	Shaft Packing	2903-0353	Ea
34	Bushing Intermediate Lance (supersedes 40-418-1)	2903-3281	Ea



Jet Stripper

Gun Parts (continued)

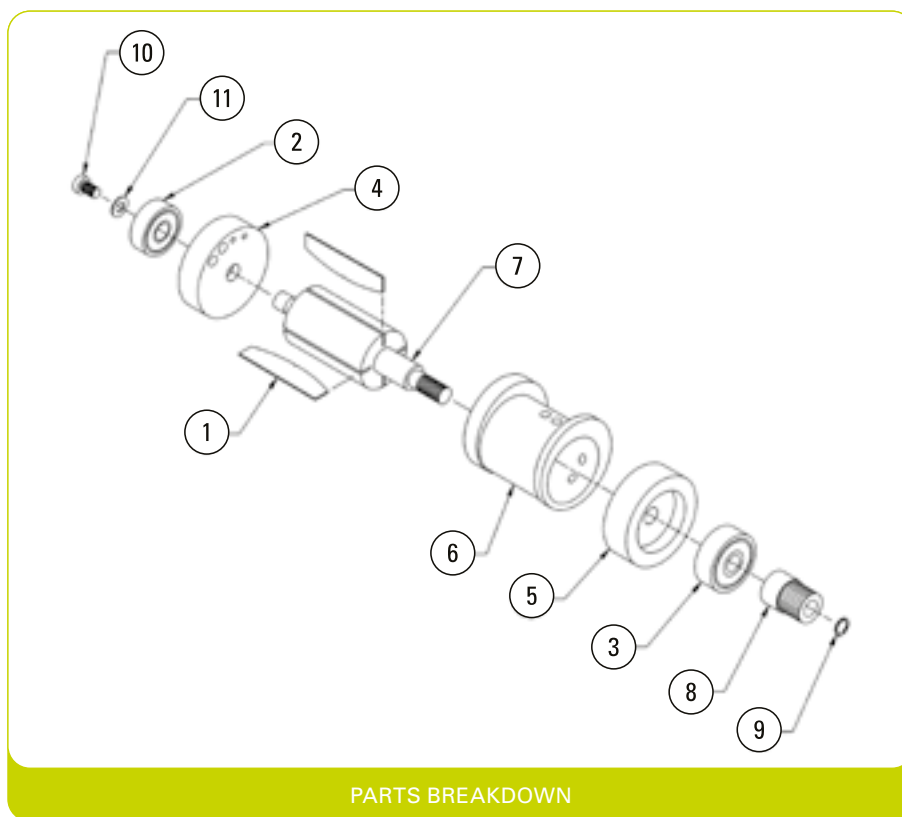
NO	DESCRIPTION	PART NUMBER	QTY
2	Packing Shaft 40-403	2903-0403	Ea
4	Retainer Packing	2903-0405	Ea
5	Seal End Nut	2903-0448	Ea
6	O-Ring for Rotary Gun 40-397	2903-0397	Ea
7	Bearing Rear	2903-0447	Ea
8	Seal UHP Swivel	2903-0343	Ea
12	Bearing Front	2903-0446	Ea
15	Plate Seal for Rotary Gun 40-449	2903-0449	Ea
16	Pulley Driven 40-412	2903-0412	Ea
17	Bushing 40-330	2903-0330	Ea
19	Belt Drive Pulley for Rotary Gun	2903-0335	Ea
20	Pulley Drive 40411	2903-0411	Ea
21	Drive Gear Adaptor 40-410-1	2903-4101	Ea
26	Bolt 1/4-20" x 1-1/2" SHCS SS	2903-0332	Ea
29	Air Motor, Pistol	2903-0441	Ea



Jet Stripper

Gun Parts (continued)

NO	DESCRIPTION	PART NUMBER	QTY
1	Blades, Rotor	2903-4401	Ea
2	Gearing, Rear	2903-4402	Ea
3	Bearing, Front	2903-4403	Ea



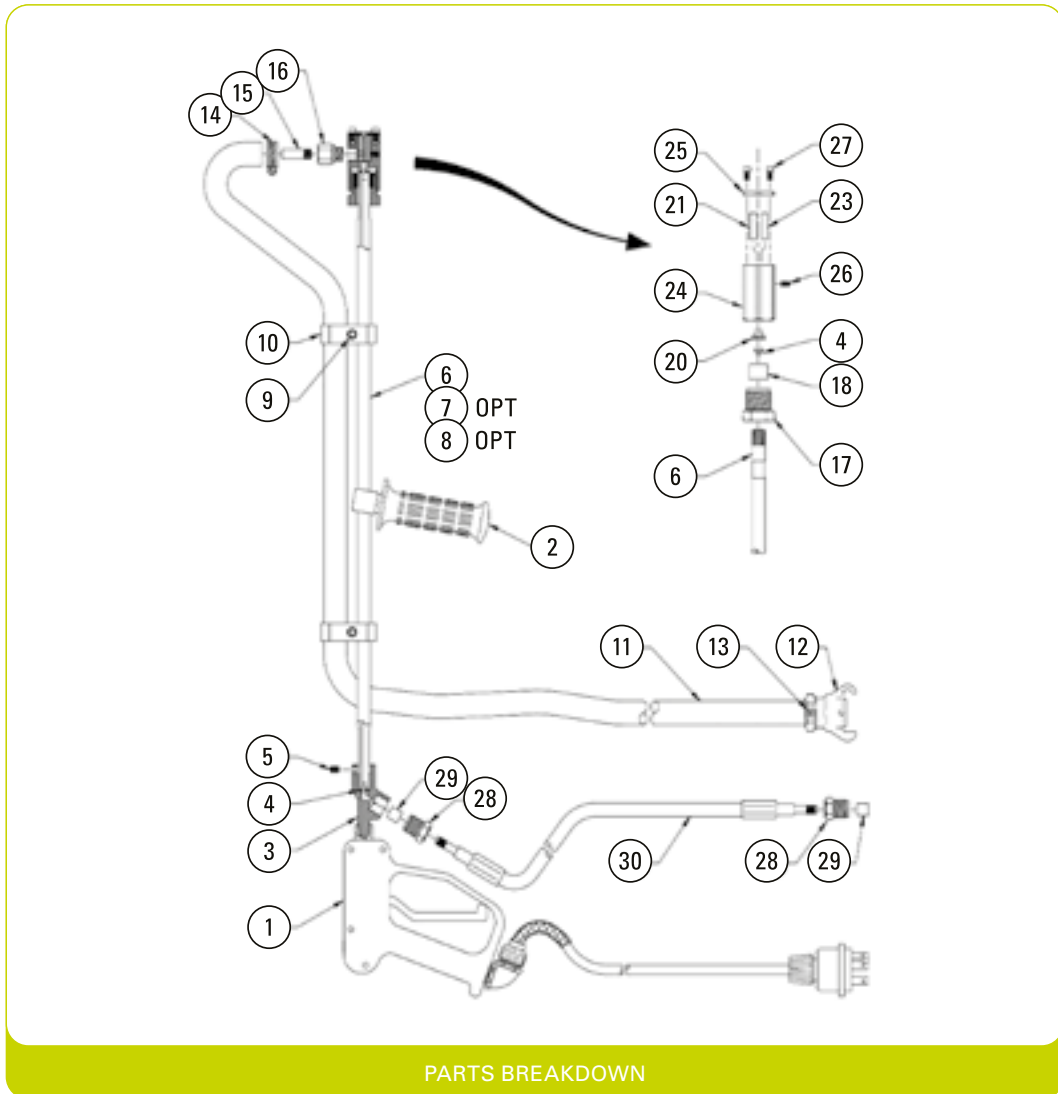
Abrasive Fan Gun

Abrasive Fan Gun and Parts

NO	DESCRIPTION	PART NUMBER	QTY
-	Fan Gun - Abrasive - 40Kpsi - Aquamiser	2904-0315	Ea
1	Trigger Assembly (Aqua)	2904-0110	Ea
4	Seat Double	2903-1092	Ea
17	Fitting Gland Nut 9/16"	2905-0013	Ea
18	Fitting Collar 9/16" HP	2905-0011	Ea
21	Insert 15 Degree Abrasive Fan	F401021	Ea
23	Cover Abrasive Fan Insert	F401022	Ea
24	Holder, Insert NS	2904-1047	Ea
25	Plate, Insert Retainer NS	2905-1049	Ea
26	Allen Screws (for Fan Gun)	2905-0148	Ea
27	Screw	2905-4512	Ea
-	Fan Tip NS	-	Ea
-	Magnetic Switch	2904-0114	Ea
-	Pressure Switch and Cord	2903-0458	Ea



2904-0315



PARTS BREAKDOWN

Notes

A series of horizontal dashed lines for taking notes.

Abrasives

Burwell's range of Quality Abrasives covers a broad spectrum of materials and ensures that you achieve the Optimum Surface Profile with minimum mess and fuss.

Abrasives



CONTENTS

Staurolite.....	13.2	White Aluminium Oxide - LOCAL.....	13.7
Blastrite 30/60 - SA - PREMIUM.....	13.2	Silicon Carbide.....	13.7
Honray Garnet - Rock C Premium.....	13.2	Steel Grit (Shandong Kaitai).....	13.8
Pyrostone.....	13.4	Steel Shot (Shandong Kaitai).....	13.8
Black Beauty Granulated Furnace Slag.....	13.4	Limestone.....	13.8
Black Beauty Bulk Bags.....	13.5	Glass Bead.....	13.9
Brown Aluminium Oxide - IMPORTED.....	13.5	Armex.....	13.9
Brown Aluminium Oxide - LOCAL.....	13.6	Crushed Glass.....	13.9
White Aluminium Oxide - IMPORTED.....	13.6	Walnut Shell.....	13.9

Burwell Abrasives



Stauroilite

DESCRIPTION	PART NUMBER	GRADE	QTY
2 Tonne Bulk Bag	9754-2002	-	2 Tonne
1 Tonne Bulk Bag	9754-2001	-	1 Tonne
1 Tonne 25Kg Bags - on 1 Tonne Pallet	9754-2003	-	40 Bags
25Kg Bag	9754-2003	-	1 Bag



Blastrite 30/60 - SA - PREMIUM

DESCRIPTION	PART NUMBER	GRADE	QTY
1 Tonne Bulk Bag	8433-30601	30/60	1 Tonne
1 Tonne 25Kg Bags	8433-30603	30/60	1 Tonne
25Kg Bag	8433-30603	30/60	1 Bag



Honray Garnet - Rock C Premium

DESCRIPTION	PART NUMBER	GRADE	QTY
1 Tonne Bulk Bag	8473-0080C1	80	1 Tonne
1 Tonne 25Kg Bags	8473-0080C3	80	1 Tonne
25Kg Bag	8473-0080C3	80	1 Bag
1 Tonne Bulk Bag	8473-3060C1	30/60	1 Tonne
1 Tonne 25Kg Bags	8473-3060C3	30/60	1 Tonne
25Kg Bag	8473-3060C3	30/60	1 Bag
1 Tonne Bulk Bag	8473-2040C1	20/40	1 Tonne
1 Tonne 25Kg Bags	8473-2040C3	20/40	1 Tonne
25Kg Bag	8473-2040C3	20/40	1 Bag



Stauroilite is inert, non-hazardous and conforms to all Australian EPA Blasting Regulations.



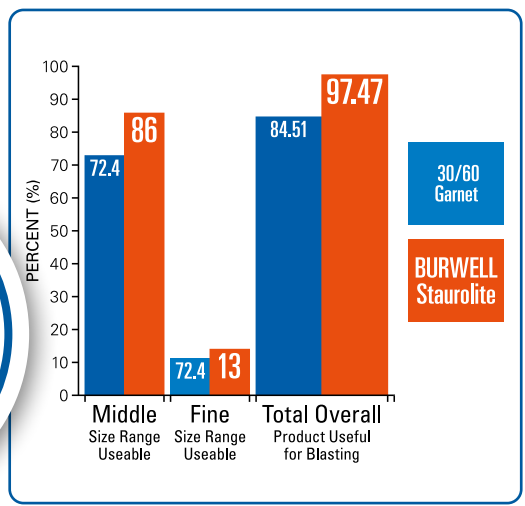
Blast faster, better and smarter with Burwell Staurolite Abrasive

Burwell Staurolite is a 100% Australian produced abrasive which features similar hardness, density, sizing and melting point to Garnet abrasives.

It is composed of particles with a hard grained, competent crystalline structure and has low free silica, making it an ideal blasting media.

Achieve a higher production rate, pay less and be friendlier to the environment.

**THE RESULTS
SPEAK FOR
THEMSELVES!**



Very Sharp, Angular Shape



High Alox For Faster Blast



13% Less Dust Than Garnet



Available in 1 or 2 Tonnes



Only 2.52% Dust Content



97% Useful Product



Conforms to All EPA Regs

Conveniently located across Australia

Find your nearest branch by calling 1300 287 935 or visit us at burwell.com.au

Burwell Abrasives



Pyrostone

DESCRIPTION	PART NUMBER	GRADE	QTY
Fine, 1 Tonne Bulk Bag	9377-0101	-	1 Tonne
Fine, 20kg Bag (Each)	9377-0108	-	25Kg
Fine, 20kg Bag (per Tonne)	9377-0108	-	1 Tonne
Medium, 1 Tonne Bulk Bag	9377-0201	-	1 Tonne
Medium, 20kg Bag (Each)	9377-0208	-	25Kg
Medium, 20kg Bag (per Tonne)	9377-0208	-	1 Tonne
Coarse, 1 Tonne Bulk Bag	9377-0301	-	1 Tonne
Coarse, 20kg Bag (Each)	9377-0308	-	25Kg
Coarse, 20kg Bag (per Tonne)	9377-0308	-	1 Tonne
Extra Coarse, 1 Tonne Bulk Bag	9377-0401	-	1 Tonne
Extra Coarse, 20kg Bag (each)	9377-0408	-	25Kg
Extra Coarse, 20kg Bag (per Tonne)	9377-0408	-	1 Tonne



Black Beauty Granulated Furnace Slag

DESCRIPTION	PART NUMBER	GRADE	QTY
0.25 - 0.60mm (2 Tonne of 25Kg Bags) on Pallet	8140-30602	30/60	2 Tonne
0.25 - 0.60mm (1 Tonne of 25Kg Bags) on Pallet	8140-30603	30/60	1 Tonne
0.25 - 0.60mm (1 x 25Kg Bag)	8140-30603	30/60	25Kg
0.50 - 1.18mm (2 Tonne of 25Kg Bags) on Pallet	8140-14302	0.75	2 Tonne
0.50 - 1.18mm (1 Tonne of 25Kg Bags) on Pallet	8140-14303	0.75	1 Tonne
0.50 - 1.18mm (1 x 25Kg Bag)	8140-14303	0.75	25Kg
0.50 - 1.7mm (2 Tonne of 25Kg Bags) on Pallet	8140-10302	1.3	2 Tonne
0.50 - 1.7mm (1 Tonne of 25Kg Bags) on Pallet	8140-10303	1.3	1 Tonne
0.50 - 1.7mm (1 x 25Kg Bag)	8140-10303	1.3	25Kg

Burwell Abrasives



Black Beauty Bulk Bags

DESCRIPTION	PART NUMBER	GRADE	QTY
.25-.60mm in 2 Tonne Bulk Bag	8140-30602	30/60	2 Tonne
.25-.60mm in 1 Tonne Bulk Bag	8140-30601	30/60	1 Tonne
.50-1.18mm in 2 Tonne Bulk Bag	8140-14302	0.75	2 Tonne
.50-1.18mm in 1 Tonne Bulk Bag	8140-14301	0.75	1 Tonne
.50-1.70mm in 2 Tonne Bulk Bag	8140-10302	1.3	2 Tonne
.50-1.70mm in 1 Tonne Bulk Bag	8140-10301	1.3	1 Tonne



Brown Aluminium Oxide - IMPORTED

DESCRIPTION	PART NUMBER	GRADE	QTY
Size 12 Grit Alox	8039-0123	-	25Kg
Size 16 Grit Alox	8039-0163	-	25Kg
Size 24 Grit Alox	8039-0243	-	25Kg
Size 30 Grit Alox	8039-0303	-	25Kg
Size 36 Grit Alox	8039-0363	-	25Kg
Size 46 Grit Alox	8039-0463	-	25Kg
Size 60 Grit Alox	8039-0603	-	25Kg
Size 80 Grit Alox	8039-0803	-	25Kg
Size 100 Grit Alox	8039-1003	-	25Kg
Size 120 Grit Alox	8039-1203	-	25Kg
Size 150 Grit Alox	8039-1503	-	25Kg
Size 180 Grit Alox	8039-1803	-	25Kg
Size 240 Grit Alox	8039-2403	-	25Kg
Size 320 Grit Alox	8039-3203	-	25Kg
Per Tonne (40 Bags)	-	-	1T

Burwell Abrasives



Brown Aluminium Oxide - LOCAL

DESCRIPTION	PART NUMBER	GRADE	QTY
Size 12 Grit Alox	8051-0123	-	25Kg
Size 16 Grit Alox	8051-0163	-	25Kg
Size 24 Grit Alox	8051-0243	-	25Kg
Size 30 Grit Alox	8051-0303	-	25Kg
Size 36 Grit Alox	8051-0363	-	25Kg
Size 46 Grit Alox	8051-0463	-	25Kg
Size 60 Grit Alox	8051-0603	-	25Kg
Size 80 Grit Alox	8051-0803	-	25Kg
Size 100 Grit Alox	8051-1003	-	25Kg
Size 120 Grit Alox	8051-1203	-	25Kg
Size 150 Grit Alox	8051-1503	-	25Kg
Size 180 Grit Alox	8051-1803	-	25Kg
Size 240 Grit Alox	8051-2403	-	25Kg
Size 320 Grit Alox	8051-3203	-	25Kg
Per Tonne (40 Bags)	-	-	1T



White Aluminium Oxide - IMPORTED

DESCRIPTION	PART NUMBER	GRADE	QTY
Size 80 Grit White	7939-0803	-	25Kg

Burwell Abrasives



White Aluminium Oxide - LOCAL

DESCRIPTION	PART NUMBER	GRADE	QTY
Size 20 Grit White	7951-0203	-	25Kg
Size 30 Grit White	7951-0303	-	25Kg
Size 36 Grit White	7951-0363	-	25Kg
Size 46 Grit White	7951-0463	-	25Kg
Size 60 Grit White	7951-0603	-	25Kg
Size 80 Grit White	7951-0803	-	25Kg
Size 100 Grit White	7951-1003	-	25Kg
Size 120 Grit White	7951-1203	-	25Kg
Size 150 Grit White	7951-1503	-	25Kg
Size 180 Grit White	7951-1803	-	25Kg
Size 220 Grit White	7951-2203	-	25Kg
Size 240 Grit White	7951-2403	-	25Kg
Size 600 Grit White		-	25Kg



Silicon Carbide

DESCRIPTION	PART NUMBER	GRADE	QTY
Silicon Carbide 36 Grit	9151-0363	-	25Kg
Silicon Carbide 60 Grit	9151-0603	-	25Kg
Silicon Carbide 80 Grit	9151-0803	-	25Kg
Silicon Carbide 120 Grit	9151-1203	-	25Kg
Silicon Carbide 150 Grit	9151-1503	-	25Kg
Per Tonne (40 Bags)	-	-	1T

Burwell Abrasives



Steel Grit (Shandong Kaitai)

DESCRIPTION	PART NUMBER	GRADE	QTY
LG-18	8670-0183	-	25Kg
LG-25	8670-0253	-	25Kg
LG-40	8670-0403	-	25Kg
LG-50	8670-0503	-	25Kg
LG-80	8670-0803	-	25Kg
Per Tonne (40 Bags)	-	-	1 Tonne
HG-18	8670-0193	-	25Kg
HG-40	8670-0493	-	25Kg
HG-50	8670-0513	-	25Kg
HG-80	8670-0803	-	25Kg
HG-120	8670-1213	-	25Kg
HG-25	8670-3003	-	25Kg
Per Tonne (40 Bags)	-	-	1 Tonne



Steel Shot (Shandong Kaitai)

DESCRIPTION	PART NUMBER	GRADE	QTY
S110	8770-1103	-	25Kg
S170	8770-1703	-	25Kg
S230	8770-2303	-	25Kg
S280	8770-2803	-	25Kg
S330	8770-3303	-	25Kg
S390	8770-3903	-	25Kg
S460	8770-4603	-	25Kg
S550	8770-5503	-	25Kg
S660	8770-6603	-	25Kg
Per Tonne (40 Bags)	-	-	1 Tonne



Limestone

DESCRIPTION	PART NUMBER	GRADE	QTY
AGRIT 12G40	9156-28003	-	25Kg
Per Tonne (40 Bags)	-	-	1 Tonne

Burwell Abrasives



Glass Bead

DESCRIPTION	PART NUMBER	GRADE	QTY
Grade 1	8561-0013	-	25Kg
Grade 2	8561-0023	-	25Kg
Grade 3	8561-0033	-	25Kg
Grade 4	8561-0043	-	25Kg
Grade 5	8561-0053	-	25Kg
Grade 6	8561-0063	-	25Kg
Grade 7	8561-0073	-	25Kg
Grade 8	8561-0083	-	25Kg
Grade 9	8561-0093	-	25Kg
Grade 10	8561-0103	-	25Kg
Inda Grade	8561-1003	-	25Kg
All Grades – per Tonne (40 Bags)	8561-1003	-	1 Tonne



Armex

DESCRIPTION	PART NUMBER	GRADE	QTY
Soda	9042-6683	-	25Kg
Per Tonne (40 Bags)	-	-	1 Tonne



Crushed Glass

DESCRIPTION	PART NUMBER	GRADE	QTY
Enviromite A*	8561-2008	-	20Kg
Enviromite AA**	8561-3008	-	20Kg

* Finer ** Thicker



Walnut Shell

DESCRIPTION	PART NUMBER	GRADE	QTY
Shellblast Crushed	9157-25003	-	25Kg

Conveniently located across Australia

Find your nearest branch by calling
1300 287 935 or visit us at
burwell.com.au

burwell.com.au

