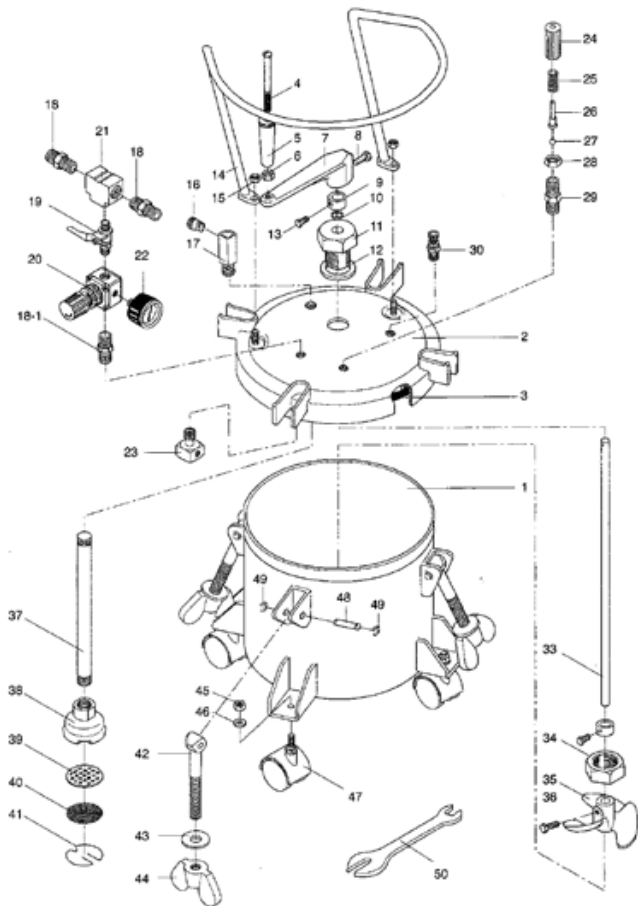


GNG Pressure Pot - 10 Litre / Manual Air Agitation

02210-M

WORKQUIP 10L MANUAL AGITATION PRESSURE POT



<u>3</u>	02210-04	POT GASKET
<u>4-6</u>	X02210M-456	HANDLE ASSEMBLY
<u>7-8</u>	X02210M-0708	SWING ROCKER BOLT
<u>9</u>	X02210M-09	CONNECTING RING
<u>10</u>	X02210M-10	SHAFT O'RING
<u>11</u>	X02210M-11	TOP CENTRE NUT
<u>12</u>	X02210M-12	SEAL RING - SHAFT BASE
<u>14</u>	X02210M-14	PARTS GUARD
<u>16</u>	X02210-30	FLUID ADAPTOR
<u>17</u>	X02210-28N X02210-28NS	MATERIAL OUTLET MATERIAL OUTLET (S/STEEL)
<u>18</u>	X02210-18	1/4 X 1/4 NIPPLE
<u>18.1</u>	X02210-18A	AIR FLOW NIPPLE
<u>19</u>	06139	AIR COCK (1/4)
<u>20</u>	X02210-14	REGULATOR
<u>21</u>	X02210-17	TEE MANIFOLD
<u>22</u>	X02210-15	REAR GUAGE 100PSI
<u>23</u>	X02210M-23	AIR FLOW GUIDE
<u>24-29</u>	X02210-20-25	SAFETY VALVE ASSEMBLY
<u>30</u>	X02210-26-28	RELEASE VALVE ASSEMBLY
<u>33</u>	X02210M-33 X02210M-33S	AGITATING ROD AGITATING ROD (S/STEEL)
<u>34</u>	X02210M-34	HEXAGON NUT
<u>35</u>	X02220M-35	AGITATING PROPELLER
<u>37</u>	X02210-05N	FLUID TUBE
<u>38</u>	X02210-06	FILTER ASSEMBLY
<u>39</u>	X02210-07	FILTER BASE PLATE
<u>40</u>	X02210-08	MATERIAL FILTER
<u>41</u>	X02210-09	SNAP RING
<u>42</u>	X02210-10	SWING BOLT
<u>43</u>	X02210-11	WASHER
<u>44</u>	X02210-12	THUMB NUT
<u>45-47</u>	X02210-13	WHEEL ASSEMBLY
<u>48</u>	X02210-31	COTTOR PIN
<u>49</u>	X02210-32	RETAINING CLIP
<u>50</u>	X02210-34	SPANNER
	02215	POT LINER