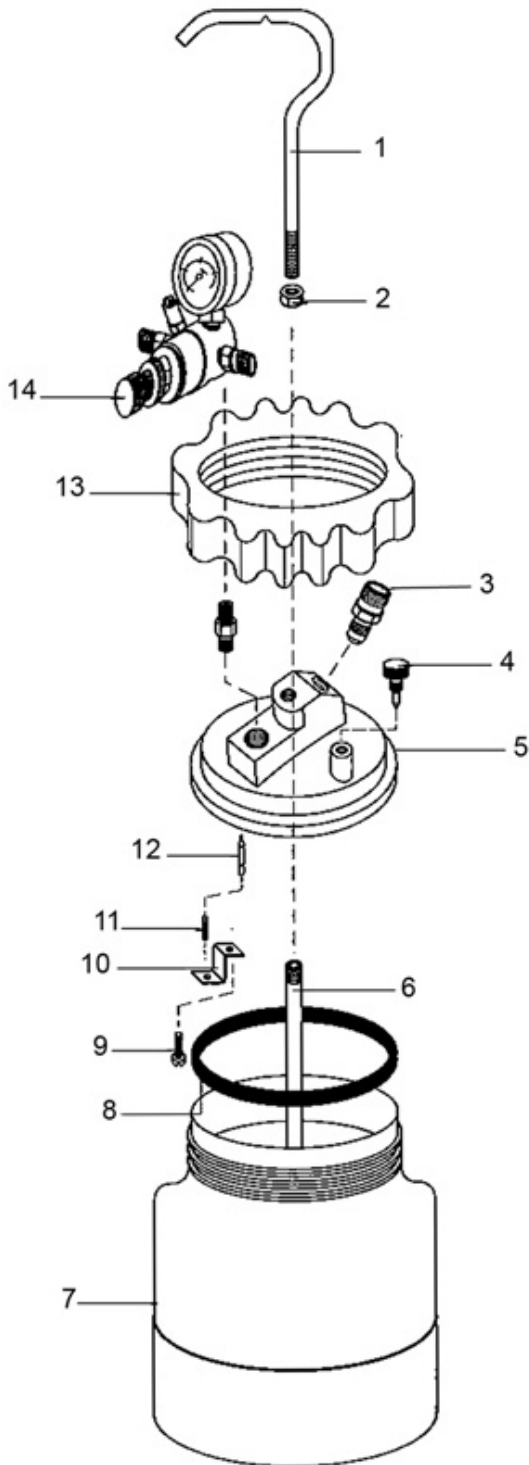


GNG Pressure Pot - 2 Litre

**02102**

**STAR 2L COMPACT PRESSURE POT**



<u>1</u>	X20P-01	HANDLE
<u>3</u>	X7721N	FLUID JOINT
<u>4</u>	X02102-04	RELIEF VALVE STEM
<u>5</u>	X02102-06S	POT COVER
<u>6</u>	X02102-07S	FLUID TUBE
<u>7</u>	X02102-08S	SPARE CUP
<u>8</u>	02102-04(WHITE)	AIR VALVE KIT
<u>9-12</u>	X20P-10	CHECK VALVE ASSEMBLY
<u>13</u>	X02102-06-1S	POT COVER NUT
<u>14</u>	02075	PRESSURE REGULATOR
	X20PN15-8	REGULATOR DIAPHRAM
	X20PN15-7	REGULATOR SAFETY VALVE