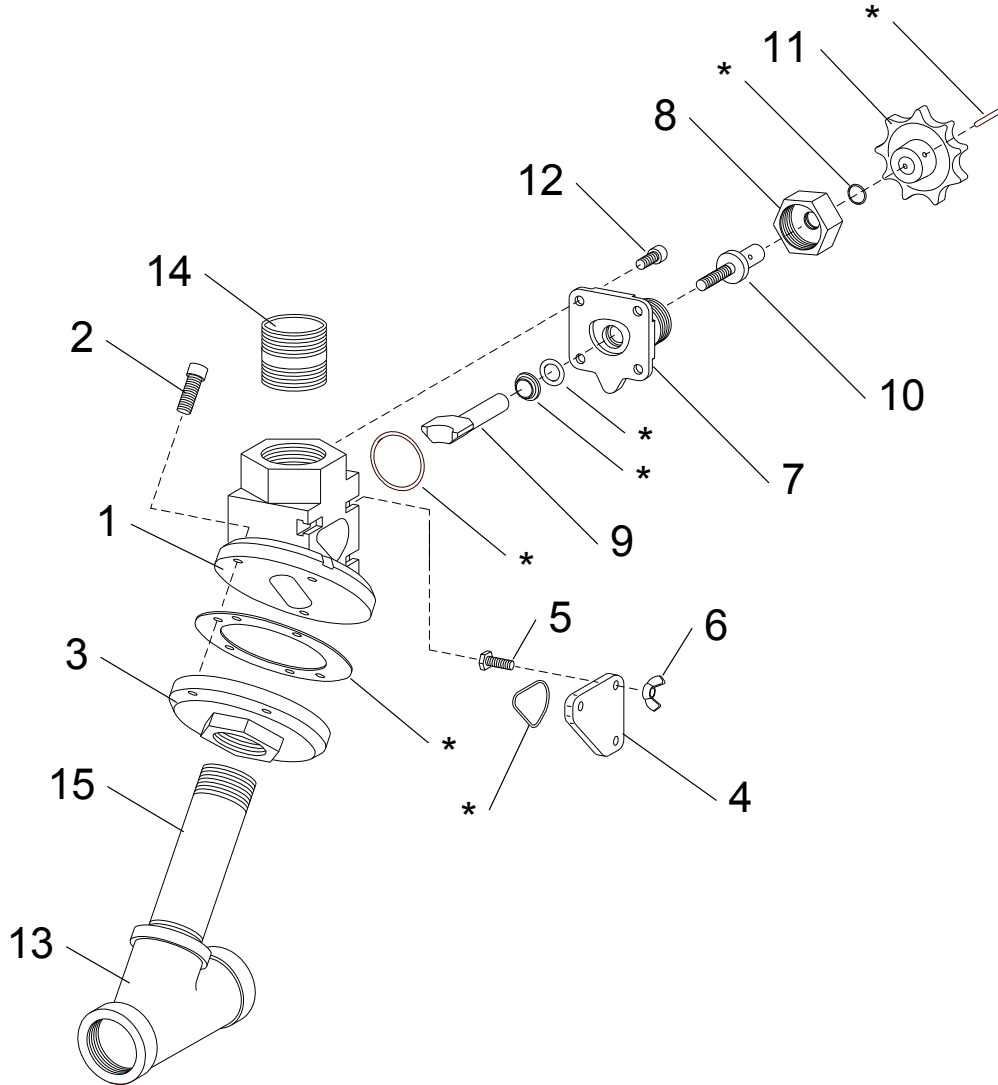


Quantum Manual Abrasive Valve



Item	Description	Stock No.
*	Service kit, metering assembly (Fig. 9a).....	22854
1.	Adaptor flange	21314
2.	Screw, 3/8-NC x 1" socket head	22655
3.	Flange, threaded outlet.....	22621
4.	Cover, cleanout	22620
5.	Screw, 1/4-NC x 3/4" hex head cap.....	03052
6.	Nut, 1/4-NC wing	03113
7.	Housing, knob	22761
8.	Nut, knob housing	22762
9.	Metering plate and shaft	22763
10.	Metering screw	22764
11.	Knob, adjustment	22766
12.	Screw, 5/16-NC x 3/4" socket head	22767
13.	Wye, 1-1/4"	01818
14.	Nipple, 1-1/2" x 2" heavy wall	01840
15.	Nipple, 1-1/4" x 5-1/2".....	01874