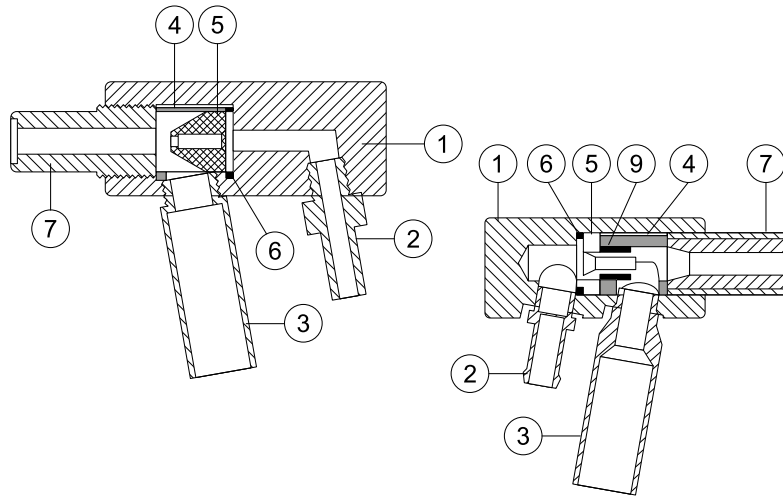


Air Blast Cabinet Accessories

Abrasive Suction Gun



No	Product Code	Item Description
	1207-2412	Abrasive Blast Gun 3/32" x 1/4"
	1207-2413	Abrasive Blast Gun 5/32" x 5/16"
	1207-2414	Abrasive Blast Gun 3/16" x 3/8"
	1207-2415	Abrasive Blast Gun 1/4" x 1/2"
	1207-2416	Abrasive Blast Gun 1/8" x 5/16"
	1207-2419	Long Life Boron Carbide Gun 5/16"
	1207-2418	Long Life Boron Carbide Gun 3/8"
1	1207-1001	Gun Body
1	1207-10015	Gun Body (Long)
2	1207-1002	Air Inlet Male Tail
3	1207-1003	Hose Ferrule
4	1207-1004	Jet Sleeve (Hardened Steel)
4	1207-2224	Heavy Duty Jet Sleeve (Boron Carbide Gun)
5	1207-5180	Air Jet (Hardened Steel) 1/8"
5	1207-5316	Air Jet (Hardened Steel) 3/16"
5	1207-5332	Air Jet (Hardened Steel) 3/32"
5	1207-5532	Air Jet (Hardened Steel) 5/32"
5	1207-5140	Air Jet (Hardened Steel) 1/4"
5	1207-2235	Heavy Duty Air Jet 5/32" (Boron Carbide Gun)
5	1207-2236	Heavy Duty Air Jet 3/16" (Boron Carbide Gun)
6	0903-1006	O-Ring
7	0808-1062	Nozzle (Tungsten Carbide) 1/8"
7	0808-1063	Nozzle (Tungsten Carbide) 3/16"
7	0808-1064	Nozzle (Tungsten Carbide) 1/4"
7	0808-1065	Nozzle (Tungsten Carbide) 5/16"
7	0808-1066	Nozzle (Tungsten Carbide) 3/8"
7	0808-1068	Nozzle (Tungsten Carbide) 1/2"
7	0809-6724	Nozzle (Boron Carbide) 3/8"
7	0809-5724	Nozzle (Boron Carbide) 5/16"
9	1207-2229	Rubber Sleeve (Per 300mm)